

# DD52R | Digital position indicators

direct drive, 5-digit counter, technopolymer

INCH

INOX  
STAINLESS  
STEEL

RoHS

PA

PA-T

+176 °F  
+32 °F

- 1
- 2
- 3
- 4
- 5
- 6
- 7
- 8
- 9
- 10
- 11
- 12
- 13
- 14
- 15
- RH
- 

## BASE AND CASE

High-resistance polyamide based (PA) technopolymer.  
Black base.

Case in the following colours:

- **C2**: RAL 2004 orange, glossy finish.
- **C3**: RAL 7035 grey, glossy finish.
- **C1**: RAL 7021 grey-black, glossy finish.

The ultrasonically welding between the base and the case prevents separation and avoids dust penetration.

## WINDOW

Transparent polyamide based (PA-T) technopolymer, moulded over the case and with a perfect seal (avoid contact with alcohol during cleaning operations).

## DISPLAY

It indicates the displacement of the mechanism controlled by the spindle from the start position (0). Five-digit roller counter (four black rolls and one red roll or three black rolls and two red rolls). The digits of red rolls show the decimal values. An additional graduated scale next to the last decimal digit offers further accuracy of reading. The display can be in different positions (see "Table of the possible combinations").

- **AN**: inclined display, counter in upper position.
- **AR**: inclined display, counter in lower position.
- **FN**: front display, counter in upper position.
- **FR**: front display, counter in lower position.

## INTERNAL GASKET

O-ring front sealing in NBR synthetic rubber, between the case and the boss.

## REAR GASKET

Foam polyethylene, supplied.

## STANDARD EXECUTION

Boss with DIA= 0.75 (Ø 19.05 mm) standard reamed hole, fitting to shaft by means of a supplied grub screw with hexagon socket and cup end.

- **DD52R**: black-oxide steel boss.
- **DD52R-SST**: AISI 303 stainless steel boss.

## DIRECTION OF ROTATION

- **D**: clockwise. Increasing values with clockwise rotation of the boss.
- **S**: anti-clockwise. Increasing values with anti-clockwise rotation of the boss.

## WEIGHT

0.213 lbs

## FEATURES AND APPLICATIONS

Lowered direct drive digital position indicators can be assembled on passing through spindles in any position to give direct reading of the positioning of a machine component. They are suitable also for motor driven applications (see "Table of the possible combinations").

## ERGONOMY AND DESIGN

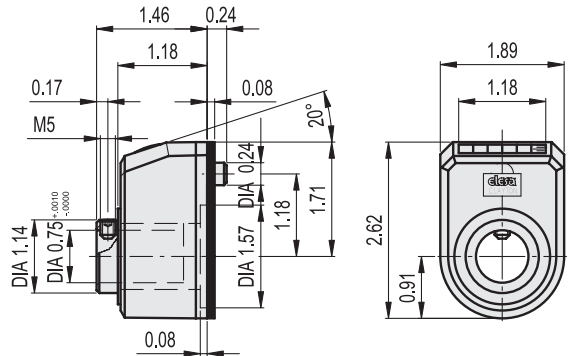
Compact roller counter. Ergonomically designed digits for rapid reading. The readability of the counter is increased by the magnifying window.

## ASSEMBLY INSTRUCTIONS

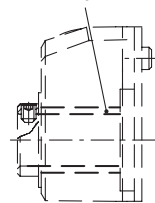
1. Drill a DIA 0.24 by 0.39 (Ø 6 mm by Ø 10 mm) hole in the body of the machine with a 1.18 (30 mm) centre distance from the spindle to fit the rear referring pin.
2. Set the spindle to the start or referring position.
3. Fit the indicator with the zeroed roller counter onto the spindle and make sure that the referring pin fit the hole.
4. Clamp the boss to the spindle by tightening the grub screw with hexagon socket and cup end.



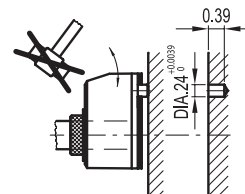
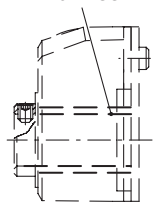
ELESA Original design













DD52R



DD52R-SST



Example of description for ordering

<b>DD52R</b>	-	<b>AN</b>	-	<b>00001</b>	-	<b>D</b>	-	<b>C2</b>	-	<b>SST</b>
<b>Series</b>		<b>Display position</b>		<b>Reading of the counter after one revolution</b>		<b>Increasing numbering</b>		<b>Colour</b>		<b>Stainless steel boss</b>
 AN inclined upper		 AR inclined lower		The internal mechanism counts also the figures between brackets (even if they do not appear on the display).		 D clockwise		 C2 RAL 2004		 To add only for the version with stainless steel boss
 FN front upper		 FR front lower			 S anti-clockwise		 C3 RAL 7035		 C1 RAL 7021	

0 0 0 0 1	0 0 0 0 1	0 0 0 0 1	0 0 0 0 1	Pitch		Speed (rpm) *
				threads per inch	inches per threads	
00001	0000.1	000.01	00.001	10	0.1	1500
00004	0000.4	000.04	00.004	2.5	0.4	1500
00005	0000.5	000.05	00.005	2	0.5	1500
00009(6)	0000.9(6)	000.09(6)	00.009(6)	-	0.96	1500
00010	0001.0	000.10	00.010	1.0	1.0	1500
00012(5)	0001.2(5)	000.12(5)	00.012(5)	8	1.25	1500
00015	0001.5	000.15	00.015	-	1.5	1500
00015(8)	0001.5(8)	000.15(8)	00.015(8)	-	1.58	1500
00015(75)	0001.5(75)	000.15(75)	00.015(75)	-	1.575	1500
00016(07)	0001.6(07)	000.16(07)	00.016(07)	-	1.607	1500
00017(5)	0001.7(5)	000.17(5)	00.017(5)	-	1.75	1420
00019(6875)	0001.9(6875)	000.19(6875)	00.019(6875)	-	1.96875	1270
00020	0002.0	000.20	00.020	5	2.0	1250
00025	0002.5	000.25	00.025	4	2.5	1000
00025(4)	0002.5(4)	000.25(4)	00.025(4)	-	2.54	980
00030	0003.0	000.30	00.030	-	3.0	830
00031(5)	0003.1(5)	000.31(5)	00.031(5)	-	3.15	790
00031(75)	0003.1(75)	000.31(75)	00.031(75)	-	3.175	780
00035	0003.5	000.35	00.035	-	3.5	710
00038(095)	0003.8(095)	000.38(095)	00.038(095)	-	3.8095	650
00039(375)	0003.9(375)	000.39(375)	00.039(375)	-	3.9375	640
00040	0004.0	000.40	00.040	2.5	4.0	625
00042(9)	0004.2(9)	000.42(9)	00.042(9)	-	4.29	580
00050	0005.0	000.50	00.050	2	5.0	500
00050(8)	0005.0(8)	000.50(8)	00.050(8)	-	5.08	490
00052(94)	0005.2(94)	000.52(94)	00.052(94)	-	5.294	470
00056(47)	0005.6(47)	000.56(47)	00.056(47)	-	5.647	440
00060	0006.0	000.60	00.060	-	6.0	415
00062(5)	0006.2(5)	000.62(5)	00.062(5)	-	6.25	400
00063(5)	0006.3(5)	000.63(5)	00.063(5)	-	6.35	390
00066	0006.6	000.66	00.066	-	6.6	370
00070	0007.0	000.70	00.070	-	7.0	350
00075	0007.5	000.75	00.075	-	7.5	330
00076(923)	0007.6(923)	000.76(923)	00.076(923)	-	7.6923	325
00078(75)	0007.8(75)	00078(75)	00.078(75)	-	7.875	310
00080	0008.0	000.80	00.080	1.25	8.0	315
00090	0009.0	000.90	00.090	-	9.0	270
00100	0010.0	001.00	00.100	10	10.0	250
00105	0010.5	001.05	00.105	-	10.5	235
00118(125)	0011.8(125)	001.18(125)	00.118(125)	-	11.8125	205
00119(05)	0011.9(05)	001.19(05)	00.119(05)	-	11.905	210
00120	0012.0	001.20	00.120	-	12.0	200
00130	0013.0	001.30	00.130	-	13.0	190
00150	0015.0	001.50	00.150	-	15.0	160
00160	0016.0	001.60	00.160	-	16.0	150
00200	0020.0	002.00	00.200	5	20.0	125

\* The maximum rotation speed (rpm) of the spindle reported in the table corresponds to a maximum rotation of 2500 units of the last roll on the right of the counter.  
Rotational speed tests have been performed in our laboratory under standard operating conditions.  
It is recommended not to subject the product to sudden acceleration and / or sudden stop.



Position indicators

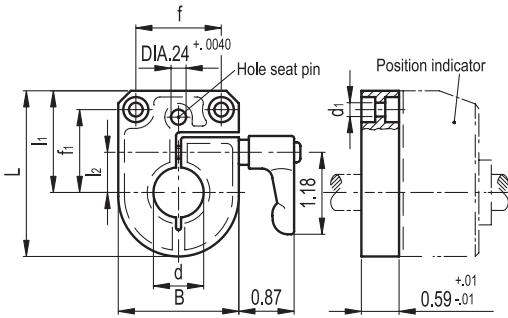


**SPECIAL EXECUTIONS ON REQUEST**

- Special readings after one revolution.
- Case in different colours.
- Completely sealed digital position indicators with IP 67 protection class, see IEC 529 table (on page A-19) obtained by means of a brass bushing with double seal ring inside the rear cavity of the base.

**ACCESSORIES ON REQUEST (TO BE ORDERED SEPARATELY)**

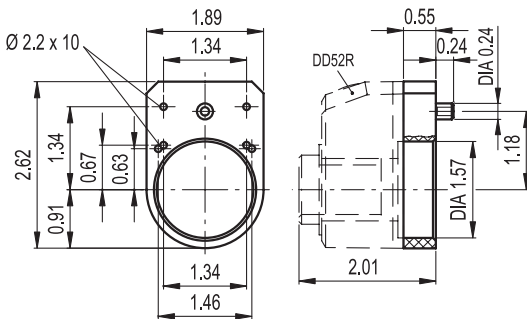
- **BSA52R**: zinc die-cast bases for spindle locking, epoxy resin coating, black colour, matte finish (see table). Type GN 302 adjustable handle. BSA52R locking bases allow an easy and quick locking of the spindles after their positioning. They are equipped with a DIA 0.24 (Ø 6.1 mm) hole to fit the referring pin of the indicator. They can be assembled with the handle either on the right or on the left and can be fitted to the machine by means of two M5 cylindrical-head screws (not included in the supply).



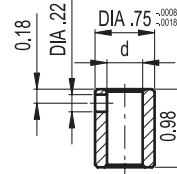
**INCH**

Code	Description	B	L	f	f1	l1	l2	d	d1	⚖
CE987904	BSA52R-1/2	1.89	2.64	1.34	1.32	1.7	0.63	0.500	0.22	0.36
CE987905	BSA52R-5/8	1.89	2.64	1.34	1.32	1.7	0.63	0.625	0.22	0.36
CE987909	BSA52R-3/4	1.89	2.64	1.34	1.32	1.7	0.63	0.750	0.22	0.35

- **BS52R**: glass-fibre reinforced polyamide based (PA) technopolymer spacer base (code CE.83950), designed with two pre-drilled holes for self-tapping screws DIA 0.09 (Ø 2.2 mm) (not included in the supply).



- **RB52**: black-oxide steel reduction sleeves.
- **RB52-SST**: AISI 304 stainless steel reduction sleeves.



**INCH**

**RB52**

Code	Description	d
CE987930	RB52-3/4-1/4	0.250+.0006
CE987940	RB52-3/4-3/8	0.375+.0008
CE987950	RB52-3/4-1/2	0.500+.0008
CE987960	RB52-3/4-5/8	0.625+.0010

**INOX STAINLESS STEEL INCH**

**RB52-SST-AISI 304**

Code	Description	d
CE997941	RB52 3/4-3/8-SST-304	0.375+.0008
CE997951	RB52 3/4-1/2-SST-304	0.500+.0008
CE997961	RB52 3/4-5/8-SST-304	0.625+.0010

- **PE.6-10**: red technopolymer anti-rotation pin (code CE.83960).

