



LAYOUT SHOWN AS EXAMPLE

Keying Shown as example

**CHARACTERISTICS**

- Standard : Based on MIL-DTL-38999 Series III
- Shell Material : Aluminium
- Shell Plating : Black Zinc Nickel
- Insulator : Thermoplastic
- Contacts : Copper Alloy
- Seals & Grommet : Silicon Elastomer
- Contact Plating : Gold over copper Alloy 0.8µm minimum
- Durability : 500 Mating cycles
- Delivered without Souriau contacts
- Temperature Range : -65°C to +175°C
- Salt Spray : 500 hours
- Mass : 18.78 g ± 10%

| Connector dimension |                 |
|---------------------|-----------------|
| Dim                 | Nominal         |
| A                   | 34.9±0.3        |
| B                   | 19.07+0.1/-0.15 |
| R                   | 32.5Max         |
| S                   | 31.8±0.4        |
| W                   | 2.2+0.9/-0.1    |
| VV THREAD           | M15x1-6g        |

SOURIAU shall not be liable for any non-conformity or damage due to a use of the Products which does not comply with the Specifications issued by either of the Parties or by a third party (professional recommendation, technical notice.)

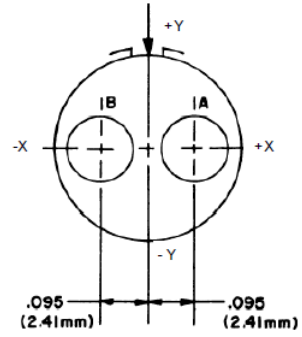
| Country | Jurisdiction & Control List |
|---------|-----------------------------|
| FR      | Not Listed                  |

**PN: 8D711Z02SBL**

|              |   |                                |   |
|--------------|---|--------------------------------|---|
| A            | 01-10-2016  | First Release                  |   |
| ISS          | DATE  | Latest modification - by       | MOD N°  |
| Designed By: |   | Date:                          | <b>CUSTOMER DRAWING</b>   |
| <b>TITLE</b> | <b>Aluminium Receptacle 8D series</b>                               |                                |   |
| SCALE        |   | General linear Tolerances: ±-- | NPRDS / PROJECT<br><b>859</b>   |
| NA           | <b>SOURIAU</b> <a href="http://WWW.SOURIAU.COM">WWW.SOURIAU.COM</a> |                                | This document is the property of SOURIAU it must not be reproduced or communicated without permission |
| FORMAT       | <b>A3</b>   |                                | <b>SOURIAU DRG N° 8D711Z02SBL-C</b>   |
|              |   |                                | SHEET<br>1/2  |

|                |                        |   |   |    |   |    |   |   |   |                                    |
|----------------|------------------------|---|---|----|---|----|---|---|---|------------------------------------|
| BASIC SERIES:  | 8D                     | 7 | - | 11 | Z | 02 | S | B | L | Delivered W/O Contacts             |
| SHELL TYPE :   | Jam nut Receptacle     |   |   |    |   |    |   |   |   | ORIENTATION : B                    |
| CONTACT TYPE : | Standard Crimp Contact |   |   |    |   |    |   |   |   | CONTACT TYPE : SOCKET(500 Matings) |
| SHELL SIZE :   | 11                     |   |   |    |   |    |   |   |   | CONTACT LAYOUT : 11-02             |
| PLATING :      | Z = Black Zinc Nickel  |   |   |    |   |    |   |   |   |                                    |

Contact Layout



| Contacts<br>(Insert arrangement 11-2) |                  |              |
|---------------------------------------|------------------|--------------|
| Contact position ID                   | Contact location |              |
|                                       | X-axis (mm)      | Y-axis (mm)  |
| A                                     | +0.095 (2.41)    | +0.000 (.00) |
| B                                     | -0.095 (2.41)    | +0.000 (.00) |

| Shell size | Arrangement no. | Number of contacts | Size contacts | Service rating | Contact location |
|------------|-----------------|--------------------|---------------|----------------|------------------|
| 11         | -2              | 2                  | 16            | I              | All              |

Panel cutout

JAM NUT RECEPTACLE (TYPE 7)



| Dim | Nominal       |
|-----|---------------|
| B   | 19.59+0/-0.25 |
| ØC  | 20.96+0.25/-0 |

SOURIAU shall not be liable for any non-conformity or damage due to a use of the Products which does not comply with the Specifications issued by either of the Parties or by a third party (professional recommendation, technical notice.)

| Country | Jurisdiction & Control List |
|---------|-----------------------------|
| FR      | Not Listed                  |

PN: 8D711Z02SBL

|                |                                     |                            |   |
|----------------|-------------------------------------|----------------------------|---|
| A              | 01-10-2016                          | First Release              |   |
| ISS            | DATE                                | Latest modification - by   | MOD N°  |
| Designed By:   |                                     | Date:                      | <b>CUSTOMER DRAWING</b>   |
| <b>TITLE</b>   | Aluminium Receptacle 8D series      |                            |   |
| SCALE          |                                     | General linear Tolerances: | NPRDS / PROJECT   |
| NA             |                                     | ±--                        | <b>859</b>  |
| <b>SOURIAU</b> | <b>WWW.SOURIAU.COM</b>              |                            | This document is the property of SOURIAU it must not be reproduced or communicated without permission |
| FORMAT         | <b>SOURIAU DRG N° 8D711Z02SBL-C</b> |                            | SHEET 2/2   |