

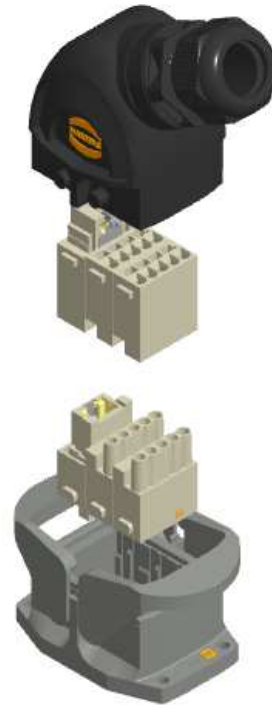
Technical Characteristics

Part Number

Han ECO Ethernet/Signal Kit

Hood	Side Entry
Housing	Double Lever Bulkhead
Material	Plastic
IP / NEMA	IP65 / 4, 4x, 12
Temp Rating	-40 to +125C
Cable Gland	M32 Plastic
Cable Diameter	13-21mm
Insert	See "Kit Contents"
Termination (Rj45 / Signal)	IDC / Screw

73 10 100 0013

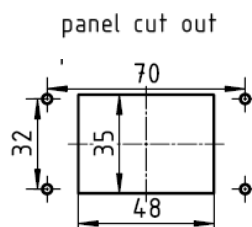
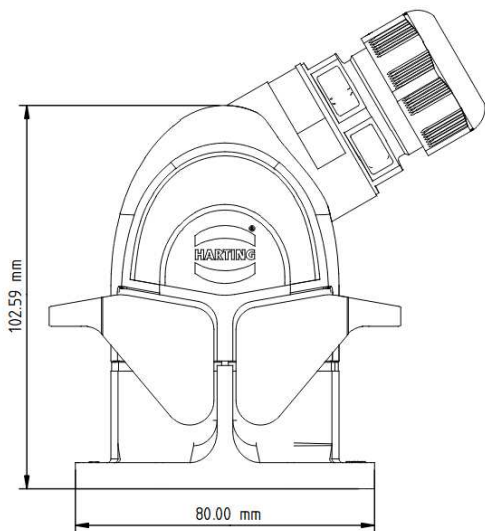


Electrical Characteristics

Rated Current (signal)	16A
Rated Voltage (signal)	600V
Rated Impulse Voltage (signal)	6kV
Ethernet	Cat.6

Drawings and Assembly Information

Dimensions in mm



Kit Contents

Kit Contents	
Male Rj45	09 45 400 1560
	09 14 001 4623
Female Rj45	09 14 001 4721
Male Han E (x2)	09 14 005 2601
Female Han E (x2)	09 14 005 2701
Housing	19 41 006 0301
Hood	19 41 106 0522

NOTE: See "Kit Contents" for individual module part numbers.
All part numbers are available on the HARTING B2B E-Catalogue. See website for detailed specifications and drawings.