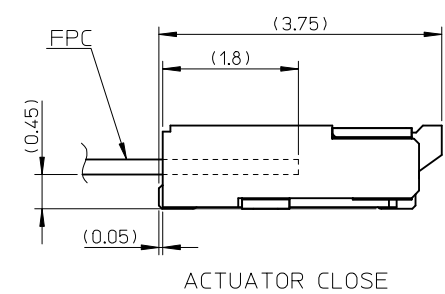
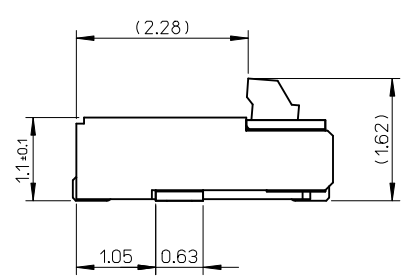


SECTION Z-Z SECTION Y-Y



ACTUATOR CLOSE

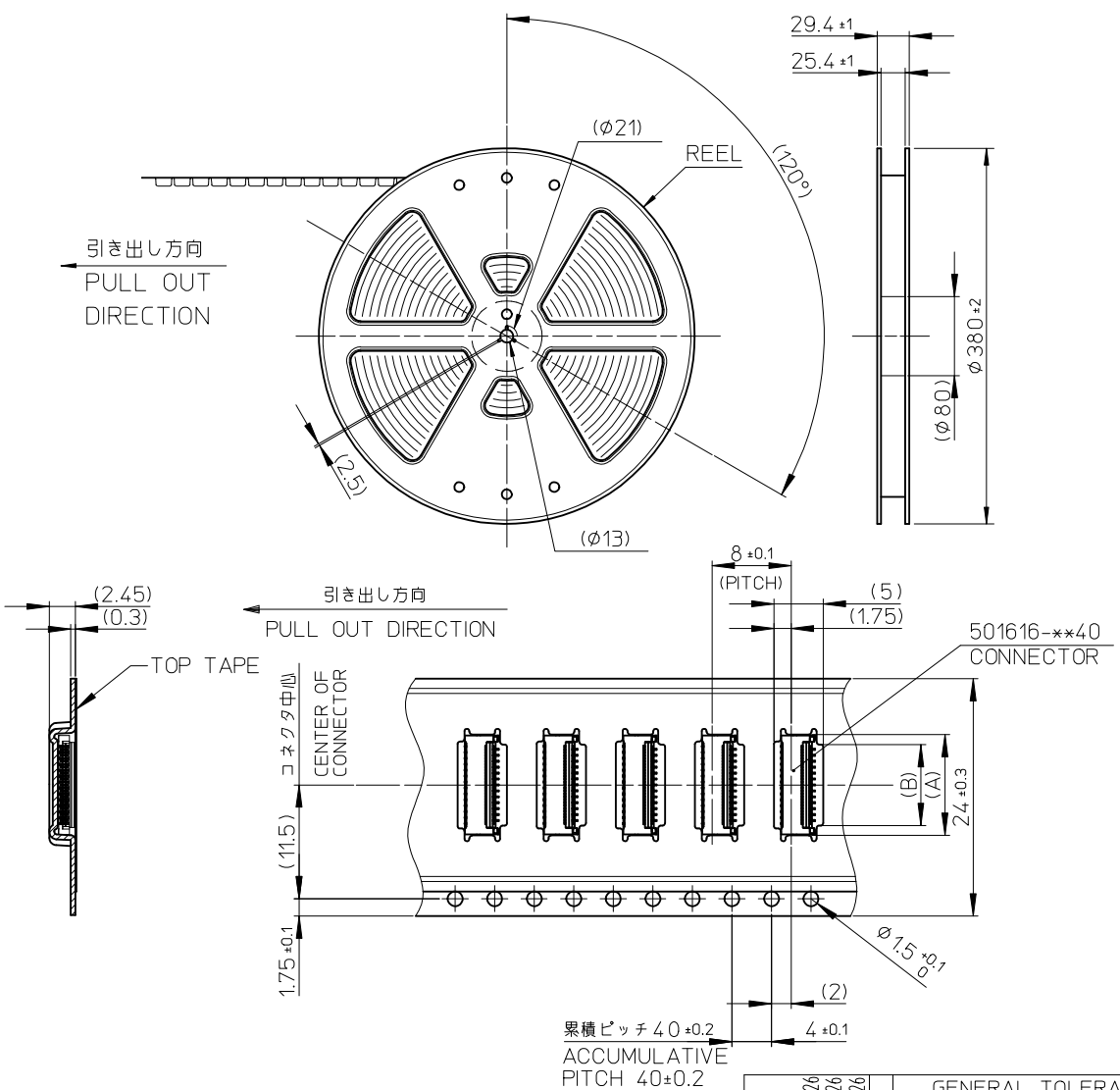
部品構成

- ハウジング・・・材質：耐熱性樹脂 黒色 UL94V-0  
HOUSING MATERIAL :HEAT RESISTANT POLYMER BLACK UL94-V0
- 奇数ターミナル・・・材質：銅合金  
ODD TERMINAL MATERIAL :COPPER ALLOY  
処理：ニッケル下地部分金メッキ（接触部及びテール部）  
FINISH :PARTLY GOLD(CONTACT,TAIL) OVER NICKEL PLATING
- 偶数ターミナル・・・材質：銅合金  
EVEN TERMINAL MATERIAL:COPPER ALLOY  
処理：ニッケル下地部分金メッキ（接触部及びテール部）  
FINISH :PARTLY GOLD(CONTACT,TAIL) OVER NICKEL PLATING
- アクチュエータ・・・材質：耐熱性樹脂 灰色 UL94V-0  
ACTUATOR MATERIAL :HEAT RESISTANT POLYMER GRAY UL94-V0
- ネイル・・・材質：銅合金  
NAIL MATERIAL:COPPER ALLOY  
処理：ニッケル下地すずめっき  
FINISH :TIN OVER NICKEL PLATING

9.0	9.2	7.8	8.4	10.6	501616-2975	501616-2940	29
8.4	8.6	7.2	7.8	10.0	501616-2775	501616-2740	27
7.8	8.0	6.6	7.2	9.4	501616-2575	501616-2540	25
6.0	6.2	4.8	5.4	7.6	501616-1975	501616-1940	19
E	D	(C)	(B)	A	EMBOSSED TAPE ORDER No.		MATERIAL NO. CIRCUIT

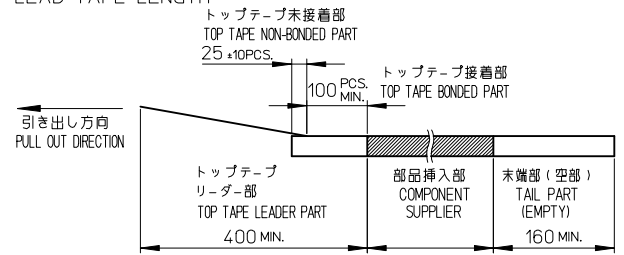
REVISED EC NO: J2015-1263 DRWN: TAKAHASHI 04 2015/03/27 CHKD: TAKAHASHI 2015/03/27 APPR: YNOGAWA 2015/03/30	GENERAL TOLERANCES (UNLESS SPECIFIED)		DIMENSION STYLE MM ONLY		SCALE 15:1	DESIGN UNITS METRIC	THIRD ANGLE PROJECTION
	0.25 UNDER	±0.03	DRAWN BY	DATE	TITLE		
	0.25 OVER 0.5 UNDER	±0.05	K. TAKAHASHI	2006/07/28	0.3 FPC CONN. ZIF E/O HSG ASSY (H=1.1)		
	0.5 OVER 1.0 UNDER	±0.1	CHECKED BY	DATE	molex		
	1.0 OVER 10 UNDER	±0.2	H. HIRATA	2006/07/28	DOCUMENT NO.	SD-501616-005	
10 OVER 30 UNDER	±0.25	APPROVED BY	DATE	SHEET NO.		1 OF 2	
30 OVER	±0.3	M. SASAO	2006/07/28	THIS DRAWING CONTAINS INFORMATION THAT IS PROPRIETARY TO MOLEX INCORPORATED AND SHOULD NOT BE USED WITHOUT WRITTEN PERMISSION			
ANGULAR ±3 °		MATERIAL NO.		SEE CHART			
DRAFT WHERE APPLICABLE MUST REMAIN WITHIN DIMENSIONS		SIZE A3					





NOTES

- 製品 (501616-xx40) の詳細寸法については、図面 SD-501616-005 をご参照下さい。  
IN THE PACKAGE, PART NO. 501616-xx40 DETAILED DIMENSIONS, REFER TO SALES DRAWING NO. SD-501616-005.
- 梱包数量 : 3000個/リール  
NUMBER OF CONNECTORS : 3000 PCS/REEL
- リードテープ長さ  
LEAD TAPE LENGTH



- 材料  
キャリアテープ : ポリスチレン (PS)  
トップテープ : PET, PE, PEF  
リール : ポリスチレン (PS) <リサイクル材を含む>  
MATERIAL  
CARRIER TAPE : POLYSTYRENE (PS)  
TOP TAPE : PET, PE, PEF  
REEL : POLYSTYRENE (PS) <RECYCLE MATERIAL CONTAINED>
- ELV及びRoHS適合品  
ELV AND RoHS COMPLIANT

8.8	10.8	501616-2975	29
8.2	10.2	501616-2775	27
7.6	9.6	501616-2575	25
5.8	7.8	501616-1975	19
B	A	EMBOSSED PACKAGE オーダー番号 ORDER No.	極数 CIRCUIT

エンボステープ内の製品の向き  
DIRECTION OF CONNECTOR IN  
EMBOSSED TAPE

REVISED EC NO: J2009-1784 DRWN:MKAWABATA 2009/01/26 CHKD:HSHINOYAMA 2009/01/26 APPR:HSHINOYAMA 2009/01/26 REV A	DESCRIPTION	GENERAL TOLERANCES (UNLESS SPECIFIED)	DIMENSION STYLE MM ONLY	SCALE ---	DESIGN UNITS METRIC	THIRD ANGLE PROJECTION
	10 UNDER	± ---	DRAWN BY K. TAKAHASHI	DATE 2006/7/28	TITLE 0.3 FPC CONN. B/F EMBSTP PKG H=1.1	
	10 OVER 30 UNDER	± ---	CHECKED BY H. HIRATA	DATE 2006/7/28		
	30 OVER	± ---	APPROVED BY M. SASAO	DATE 2006/7/28		
	ANGULAR ± --- °	DRAFT WHERE APPLICABLE MUST REMAIN WITHIN DIMENSIONS	MATERIAL NO. SEE CHART	DOCUMENT NO. SD-501616-006	MOLEX INCORPORATED	
			SIZE A3	THIS DRAWING CONTAINS INFORMATION THAT IS PROPRIETARY TO MOLEX INCORPORATED AND SHOULD NOT BE USED WITHOUT WRITTEN PERMISSION		