

6

5

4

3

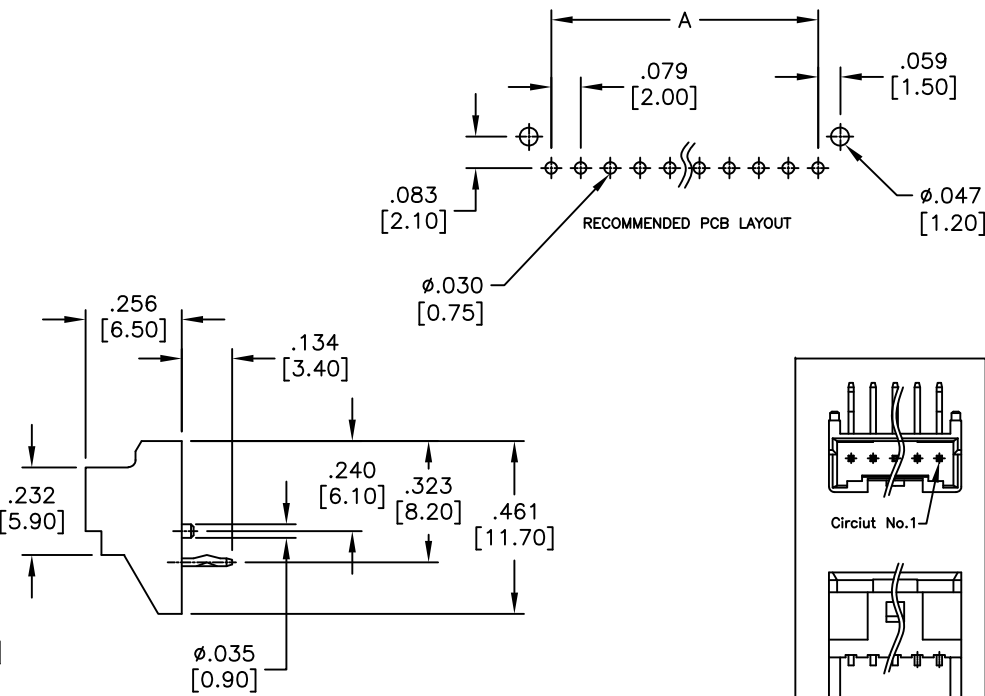
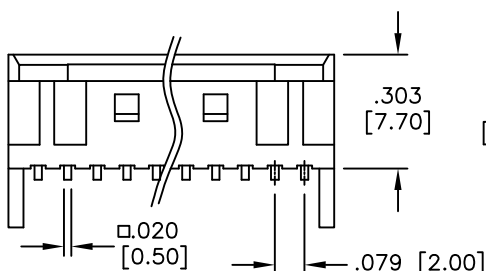
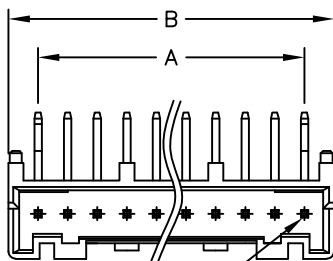
2

1

APPROVED: _____

DATE: _____ TITLE: _____

Rev	AWO #	Description	Date	Appr
-		RELEASED	11/23/10	



SPECIFICATIONS:

Material:
Insulator: PBT, rated UL 94V-0
Insulator color: White

Contacts: Brass
Plating:

Tin over Copper underplate overall

Electrical:
Voltage rating: 250 AC/DC
Current rating: 3A AC/DC
Contact resistance: 20 mohms max
Insulation resistance: 1000 Mohms min
Dielectric withstanding voltage: 800 VAC for 1 minute

Temperature Rating:
Operating temperature: -25°C to +85°C

Environmental:
Lead free, RoHS compliant



Positions: 2 thru 15

A = .079 [2.00] x No. of Spaces

B = .079 [2.00] x No. of Spaces + .157 [4.00]

UNLESS OTHERWISE SPECIFIED
ALL DIMENSIONS ARE INCHES [MM]
TOLERANCES: EXCEPT AS NOTED

.X	± .10	Ø.X	± .10
.XX	± .020	Ø.XX	± .015
.XXX	± .015	Ø.XXX	± .010

ADAM TECH

909 Rahway Avenue, Union, NJ 07083
Phone: 908-687-5000 Fax: 908-687-5710

TITLE
.079 [2.00] SHROUDED HEADER
RIGHT ANGLE, PCB

APPROVALS		DATE
DRAWN	AY	11/23/10
CHECKED	AH	11/23/10
APPROVED		

SIZE X	PART NO. 2SH-H-XX-TR	REV. -
REF: S00015T	SCALE: NTS	SHEET 1 OF 1

6

5

4

3

2

1