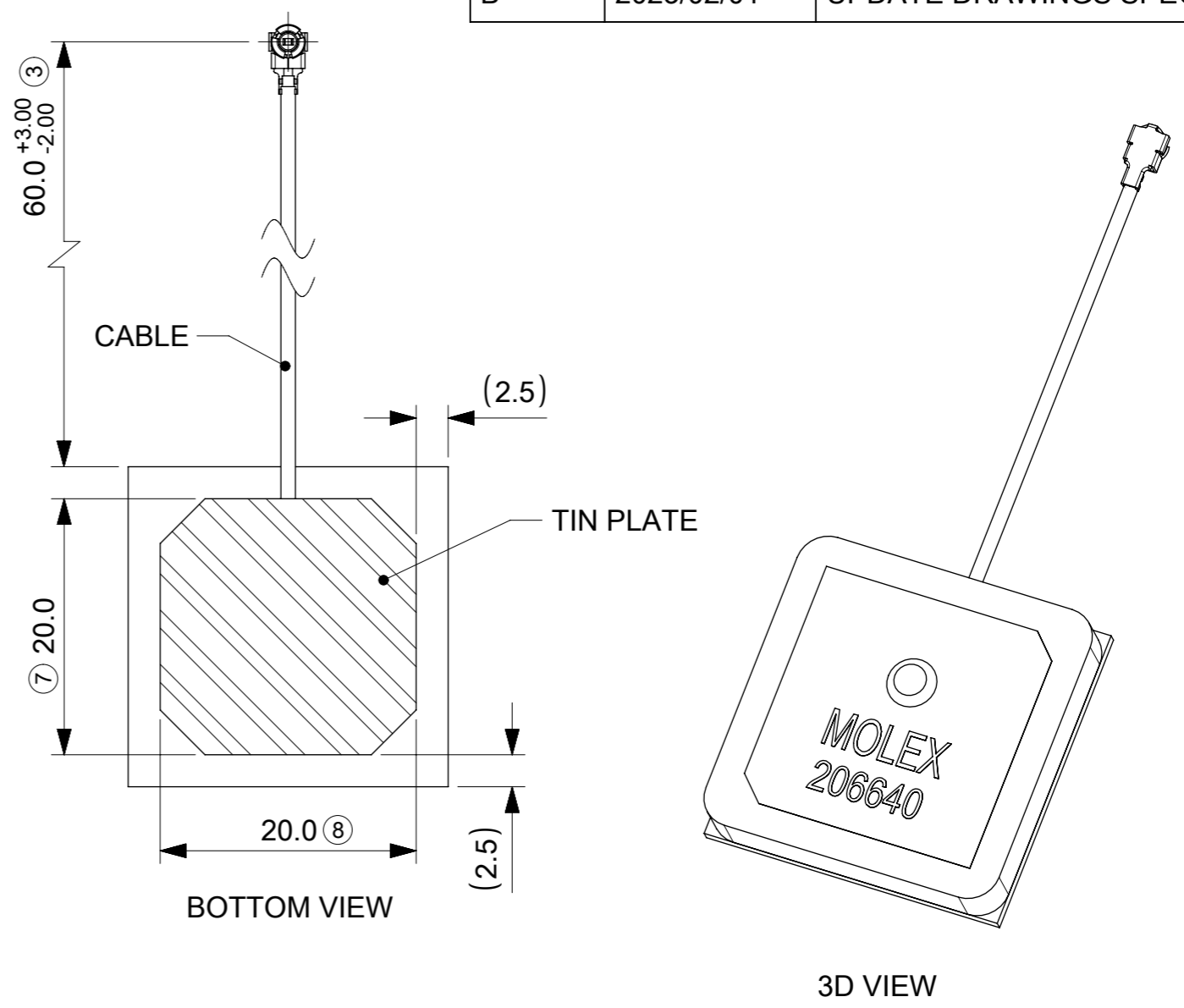
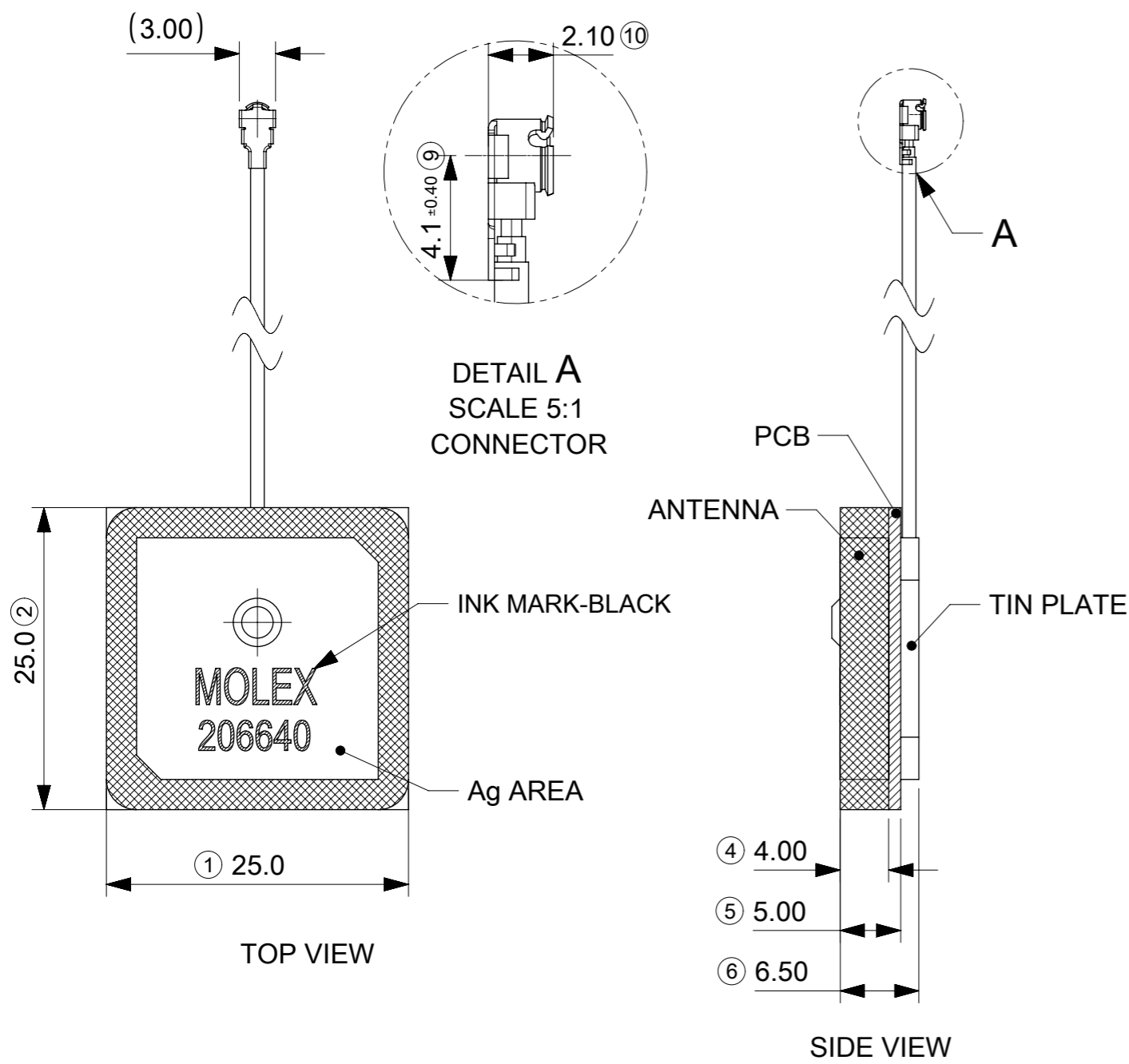


REV	DATE	DESCRIPTION
A	2018/02/14	FIRST RELEASE
B	2023/02/01	UPDATE DRAWINGS SPECIFICATION



- NOTES:
1. MATERIAL SEE TABLE ;
 2. Ag THICKNESS: 2-8um ;
 3. GENERAL COSMETIC APPEARANCE AS DEFINED BY MOLEX COSMETIC SPECIFICATION ;
 4. THE DIRECTION OF THE CONNECTOR OPENING DOES NOT ROTATE MORE THAN 60° WITH THE SINGLE SIDE OF THE CABLE .
 5. SCRATCHES AND DISCOLORATIONS ON THE SURFACE OF THE SILVER LAYER ARE ACCEPTABLE CHANGES PROVIDED THEY DO NOT AFFECT FUNCTIONALITY.

MATERIAL		
No.	PART NAME	DESCRIPTION
1	ANTENNA	DIELECTRIC CERAMIC
2	PCB	FR-4
3	SHIELDING	TIN PLATE
4	CABLE	∅1.13±0.15mm GRAY
5	CONNECTOR	I-PEX MHF-1

THIS DRAWING CONTAINS INFORMATION THAT IS PROPRIETARY TO MOLEX ELECTRONIC TECHNOLOGIES, LLC AND SHOULD NOT BE USED WITHOUT WRITTEN PERMISSION											
DIMENSION UNITS mm		SCALE 2:1		CURRENT REV DESC:				molex			
GENERAL TOLERANCES (UNLESS SPECIFIED)		EC NO: 737263		DRWN: KCHENG06 2023/02/01		ACTIVE GNSS ANTENNA MODULE					
ANGULAR TOL ± °		DRWN: KCHENG06 2023/02/01		CHK'D: HORACM1 2023/02/03		PRODUCT CUSTOMER DRAWING					
4 PLACES ±		APPR: HORACM1 2023/02/03		INITIAL REVISION:		DOCUMENT NUMBER		DOC TYPE	DOC PART	REVISION	
3 PLACES ±		DRWN: KCHENG06 2018/02/14		APPR: XJSONG 2018/03/22		2066400001		PSD	SD	B	
2 PLACES ± 0.3		DRAFT WHERE APPLICABLE MUST REMAIN WITHIN DIMENSIONS		THIRD ANGLE PROJECTION		DRAWING		SERIES	MATERIAL NUMBER	CUSTOMER	SHEET NUMBER
1 PLACE ± 0.5		A3-SIZE		206640		2066400001		GENERAL MARKET		1 OF 1	
0 PLACES ± 1.0											