

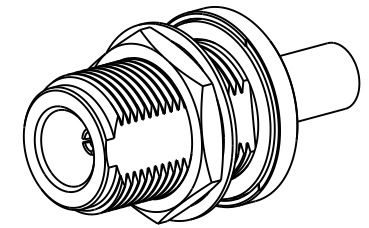
NOTES:

- MATERIALS AND FINISHES:**
 BODY, BARREL, LOCKWASHER, FERRULE AND HEX NUT - BRASS, BLACK CHROMATE OVER NICKEL
 CONTACT - PHOSPHOR BRONZE, GOLD PLATING
 INSULATOR AND INSULATOR DISC - PTFE, NATURAL
 GASKET - SILICONE RUBBER, RED
- ELECTRICAL:**
 A. IMPEDANCE: 50 OHM
 B. FREQUENCY RANGE: DC - 6 GHz
 C. VSWR: 1.20 MAX. @ DC - 4 GHz
 D. INSERTION LOSS: < 0.3 dB TO < 0.7 dB @ DC - 4 GHz
 E. DIELECTRIC WITHSTANDING VOLTAGE: 2500 VRMS, MIN.
- MECHANICAL:**
 A. DURABILITY: 500 CYCLES MIN.
 B. TEMPERATURE RANGE: -65°C TO +165°C
 C. COSMETIC PARAMETERS OF PLATING PER AMPHENOL SPEC. 349-50966.

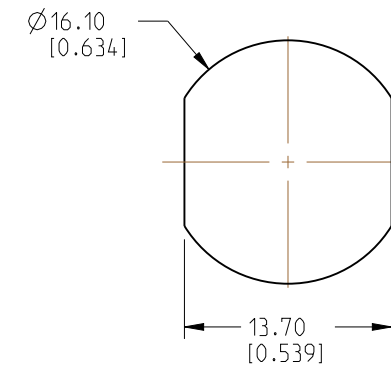
- CABLE ASSEMBLY INSTRUCTIONS:**
 A. TRIM CABLE AS SHOWN.
 B. SLIDE FERRULE AND INSULATOR DISC ONTO CABLE.
 C. CRIMP CONTACT WITH 0.105" HEX DIE OR SOLDER.
 D. INSERT CABLE, UNTIL IT BOTTOMS, WITH FOIL ENTERING CONNECTOR AND BRAID OVER KNURL.
 E. CRIMP FERRULE OVER BRAID WITH 0.255" HEX DIE.

5 SHOWS CABLE ENTRY DIMENSIONS.

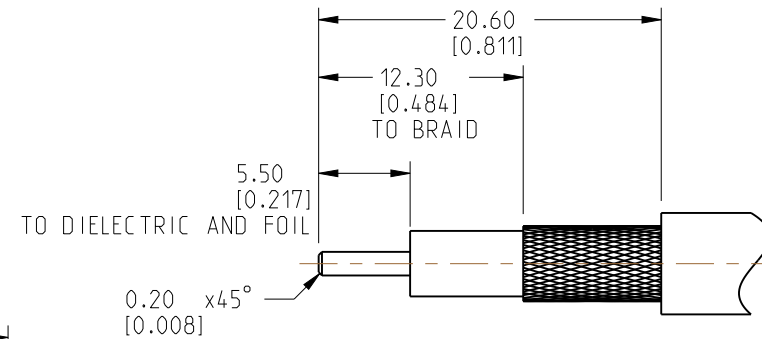
REVISIONS				
REV	DESCRIPTION	DATE	ECN	BY
A	RELEASE TO MFG.	28-OCT-22	16446	SH



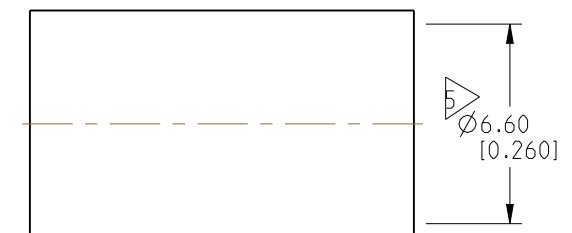
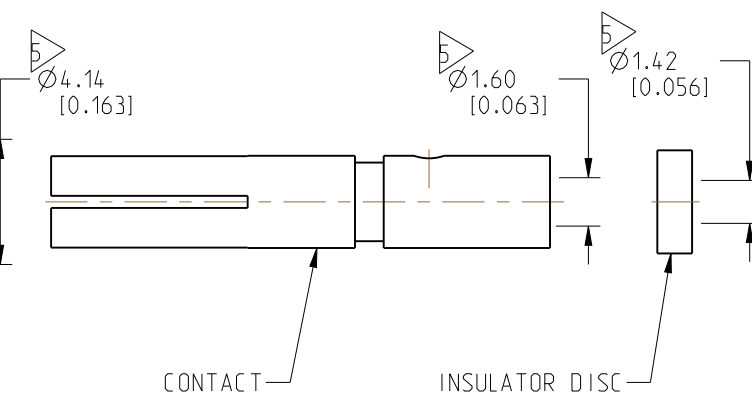
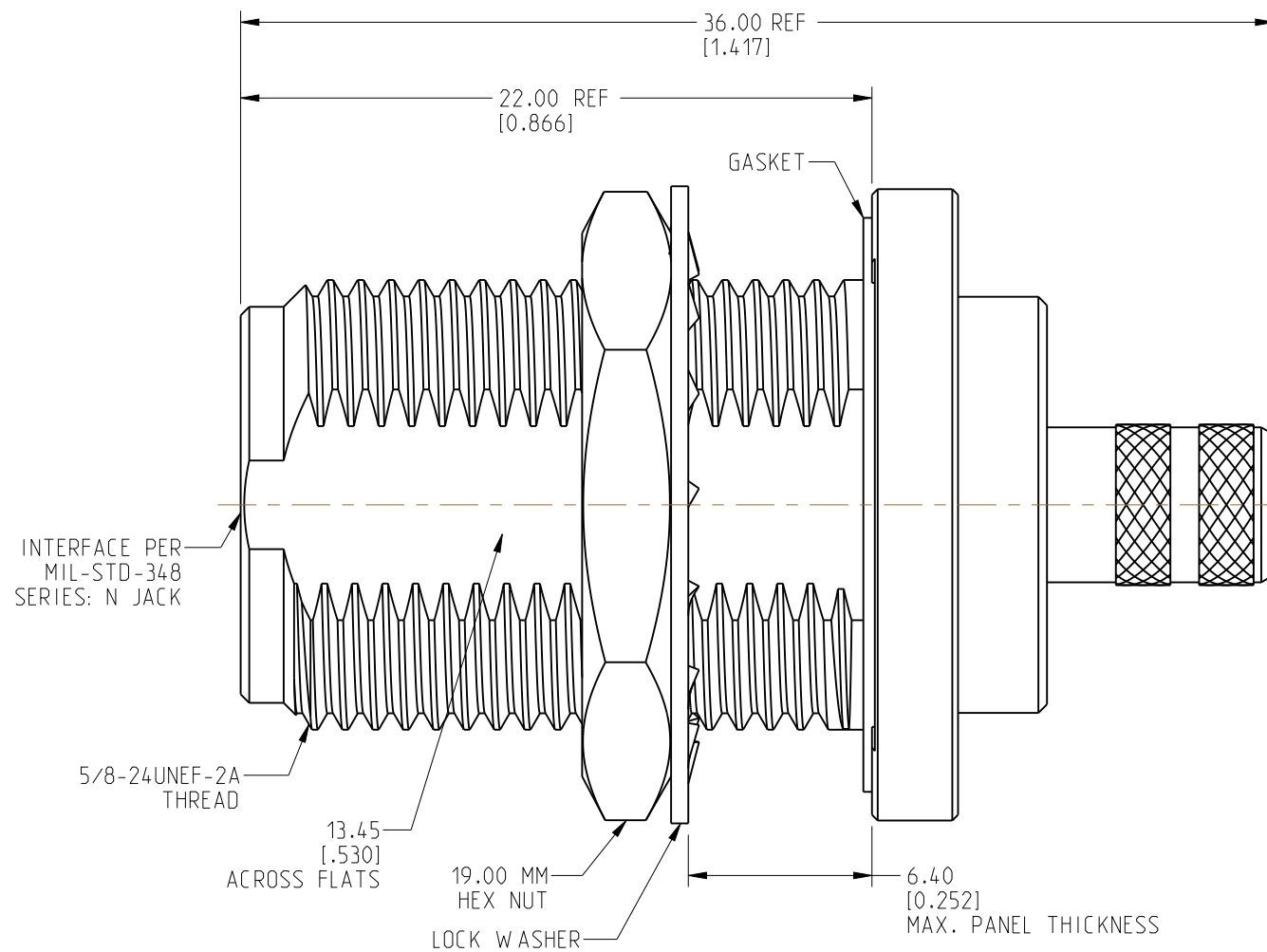
SCALE 1.200



RECOMMENDED MOUNTING HOLE DIMENSIONS



RECOMMENDED CABLE STRIPPING DIMENSIONS



CUSTOMER OUTLINE DRAWING
 ALL OTHER SHEETS ARE FOR INTERNAL USE ONLY

NOTICE: These drawings, specifications, or other data (1) are, and remain the property of Amphenol corp. (2) must be returned upon request; and (3) are confidential and not to be disclosed to any person other than those to whom they are given by Amphenol Corp. The furnishing of these drawings, specifications, or other data by Amphenol Corp., or to any other person to anyone for any purpose is not to be regarded by implication or otherwise in any manner licensing, granting rights to permitting such holder or any other person to manufacture, use or sell any product, process or design, patented or otherwise, that may in any way be related to or disclosed by said drawings, specifications, or other data.

UNLESS OTHERWISE SPECIFIED DIMENSIONS ARE METRIC (INCHES) AND TOLERANCES ARE:
 <0.5mm = ±0.05mm [$<0.020 = \pm 0.002$]
 0.5 - 6mm = ±0.1mm [$>0.020 - 0.236 = \pm 0.004$]
 >6.00 - 30mm = ±0.2mm [$>0.236 - 1.181 = \pm 0.008$]
 >30.00 - 120mm = ±0.3mm [$>1.181 - 4.725 = \pm 0.012$]

MATERIAL
 SEE NOTES

TITLE
 N STR BHD JACK FOR LMR 240 CABLE, BLACK PLATED

SIZE B	DRAWING NO.	N6421A1-BZNT5GP-LMR240-50	REV A
	ITEM NO.	036421ACG897U5F	
	PART NO.	172386-BC	

THIRD ANGLE PROJ.

REFERENCE
 EAR# 11378

ANGLES = ±1°

ENGR.1 SIVA ENGR.2 JACK LIANG DATE 23-AUG-22

SHEET NO. 2 OF 2 SCALE: 4.0:1.0