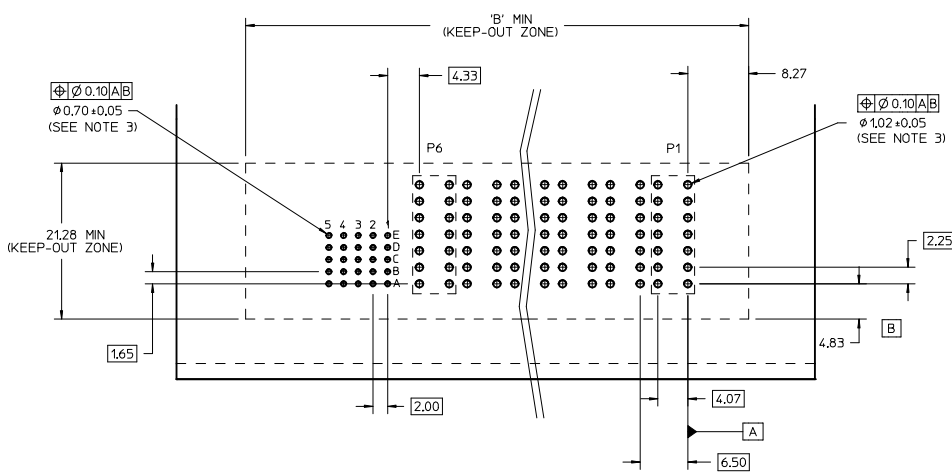
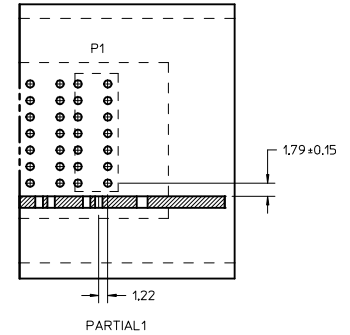
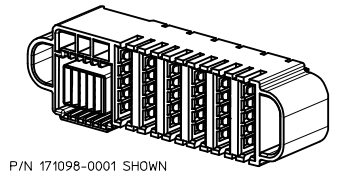
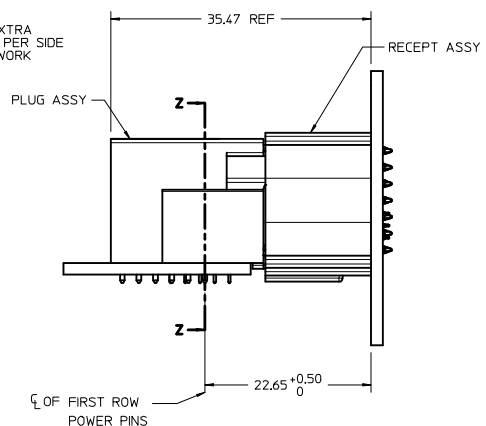
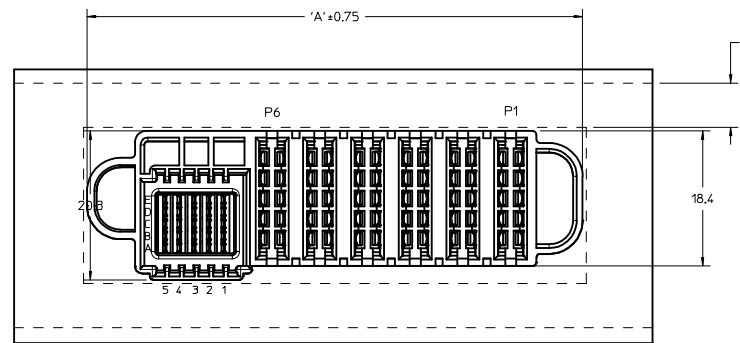
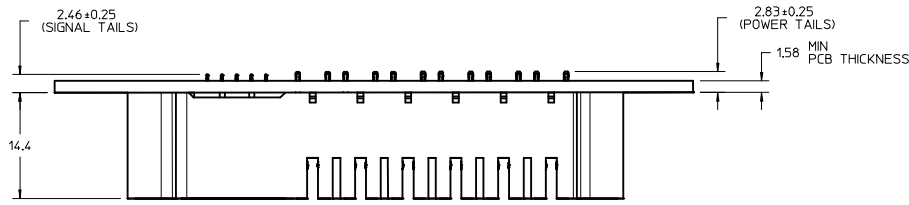


PACKAGING SPEC	PART NUMBER	# OF POWERS	DIM 'A'	DIM 'B'	# OF SIGNALS
PK-171098-0100	171098-0001	6	67.50	68.50	25
PK-172186-0002	171098-0002	4	54.50	55.50	
PK-172186-0002	171098-0003	2	41.50	42.50	

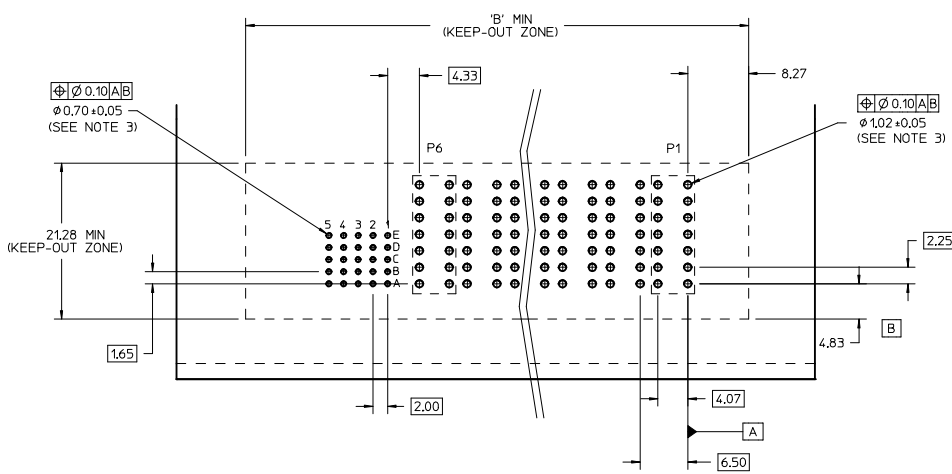
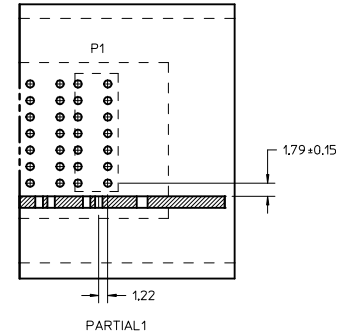
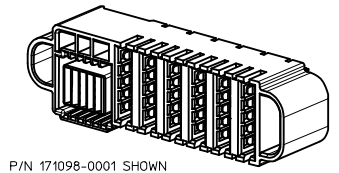
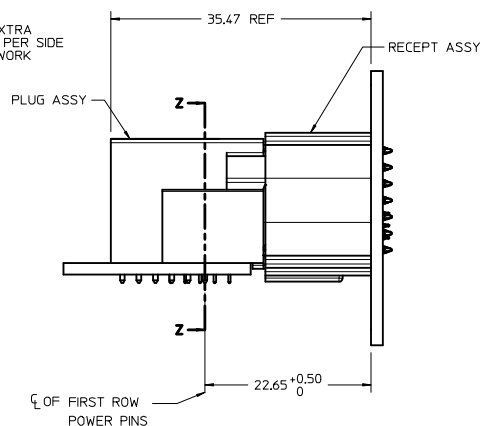
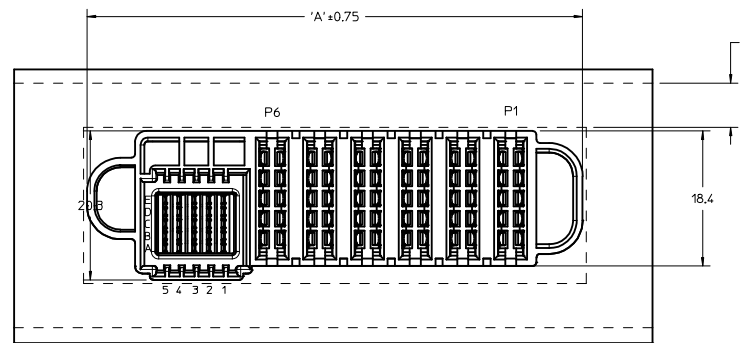
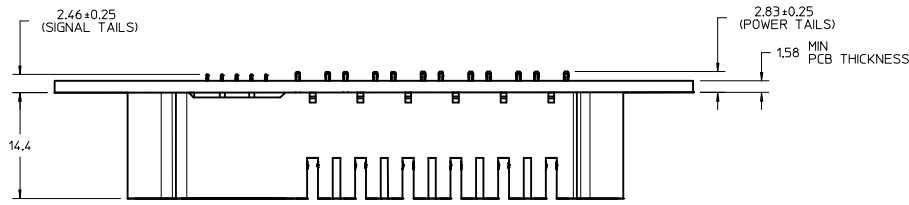


- NOTE:
- MATERIAL:
 - HOUSINGS: LCP UL94, V-0, COLOR: BLACK
 - TERMINALS: COPPER ALLOY
 - PLATING: 1.27 MICROMETER (50 MICROINCH) NICKEL OVERALL WITH 2.54 MICROMETER (100 MICROINCH) SELECTIVE TIN ON TAILS AND 0.762 MICROMETER (30 MICROINCH) SELECTIVE GOLD ON CONTACT AREA
 - PACKAGING: ASSEMBLIES TO BE TRAY PACKED PER PACKAGING SPEC; SEE TABLE
 - PLATED THRU HOLE SIZE, REFER TO PS-171097-1000 FOR DETAILS
 - PRODUCT SPEC: PS-171097-1000
 - APPLICATION SPEC: AS-171097-0001
 - PRODUCT TO MEET RoHS REQUIREMENTS
 - FOR MATING PARTS SEE PLUG ASSEMBLY SD-171097-0001
 - TAIL DESIGN: COMPLIANT PIN
 - POWER AND SIGNAL CONTACTS ARE LUBRICATED

RECOMMENDED PCB LAYOUT AND KEEP-OUT ZONE
(PCB LAYOUT FOR 6P CONNECTOR SHOWN AS REFERENCE)

ADD PK SPEC IEC NO. UCP2017-0856 DRAWN/CCH 2016/10/18 CHKD/CWCHAN 2016/11/07 APPR/KHLIM 2016/11/15 A2 REV	QUALITY SYMBOLS	GENERAL TOLERANCES (UNLESS SPECIFIED)	DIMENSION STYLE	SCALE	DESIGN UNITS	THIRD ANGLE PROJECTION
	▽=0	mm INCH	MM ONLY	3:1	METRIC	☉
	▽=0	4 PLACES ±--- ±---	DRAWN BY DATE	TITLE		
	▽=0	3 PLACES ±--- ±---	BPI/SZCZOR 2013/06/25	VERT RECEPTACLE ASSY STANDARD LAYOUTS ENERGETIC POWER FAMILY		
	ANGULAR ±1/2°	DRAFT WHERE APPLICABLE MUST REMAIN WITHIN DIMENSIONS	APPROVED BY DATE	MATERIAL NO.	DOCUMENT NO.	SHEET NO.
			APATEL 2013/12/12	SEE CHART	SD-171098-0001	1 OF 1
			THIS DRAWING CONTAINS INFORMATION THAT IS PROPRIETARY TO MOLEX INCORPORATED AND SHOULD NOT BE USED WITHOUT WRITTEN PERMISSION			

PACKAGING SPEC	PART NUMBER	# OF POWERS	DIM 'A'	DIM 'B'	# OF SIGNALS
PK-171098-0100	171098-0001	6	67.50	68.50	25
PK-172186-0002	171098-0002	4	54.50	55.50	
PK-172186-0002	171098-0003	2	41.50	42.50	



- NOTE:
- MATERIAL:
 - HOUSINGS: LCP UL94, V-0, COLOR: BLACK
 - TERMINALS: COPPER ALLOY
 - PLATING: 1.27 MICROMETER (50 MICROINCH) NICKEL OVERALL WITH 2.54 MICROMETER (100 MICROINCH) SELECTIVE TIN ON TAILS AND 0.762 MICROMETER (30 MICROINCH) SELECTIVE GOLD ON CONTACT AREA
 - PACKAGING: ASSEMBLIES TO BE TRAY PACKED PER PACKAGING SPEC; SEE TABLE
 - PLATED THRU HOLE SIZE, REFER TO PS-171097-1000 FOR DETAILS
 - PRODUCT SPEC: PS-171097-1000
 - APPLICATION SPEC: AS-171097-0001
 - PRODUCT TO MEET RoHS REQUIREMENTS
 - FOR MATING PARTS SEE PLUG ASSEMBLY SD-171097-0001
 - TAIL DESIGN: COMPLIANT PIN
 - POWER AND SIGNAL CONTACTS ARE LUBRICATED

RECOMMENDED PCB LAYOUT AND KEEP-OUT ZONE
(PCB LAYOUT FOR 6P CONNECTOR SHOWN AS REFERENCE)

ADD PK SPEC IEC NO. UCP2017-0856 DRAWN/COH 2016/10/18 CHKD/ACHAN 2016/11/07 APPR/KHLIM 2016/11/15 A2 REV	QUALITY SYMBOLS	GENERAL TOLERANCES (UNLESS SPECIFIED)	DIMENSION STYLE	SCALE	DESIGN UNITS	THIRD ANGLE PROJECTION
	▽=0	mm INCH	MM ONLY	3:1	METRIC	☉
	▽=0	4 PLACES ±--- ±---	DRAWN BY DATE	TITLE		
	▽=0	3 PLACES ±--- ±---	BPI/SZCZOR 2013/06/25	VERT RECEPTACLE ASSY STANDARD LAYOUTS ENERGETIC POWER FAMILY		
	ANGULAR ±1/2°	DRAFT WHERE APPLICABLE MUST REMAIN WITHIN DIMENSIONS	APPROVED BY DATE	MATERIAL NO.	DOCUMENT NO.	SHEET NO.
			APATEL 2013/12/12	SEE CHART	SD-171098-0001	1 OF 1
			THIS DRAWING CONTAINS INFORMATION THAT IS PROPRIETARY TO MOLEX INCORPORATED AND SHOULD NOT BE USED WITHOUT WRITTEN PERMISSION			