

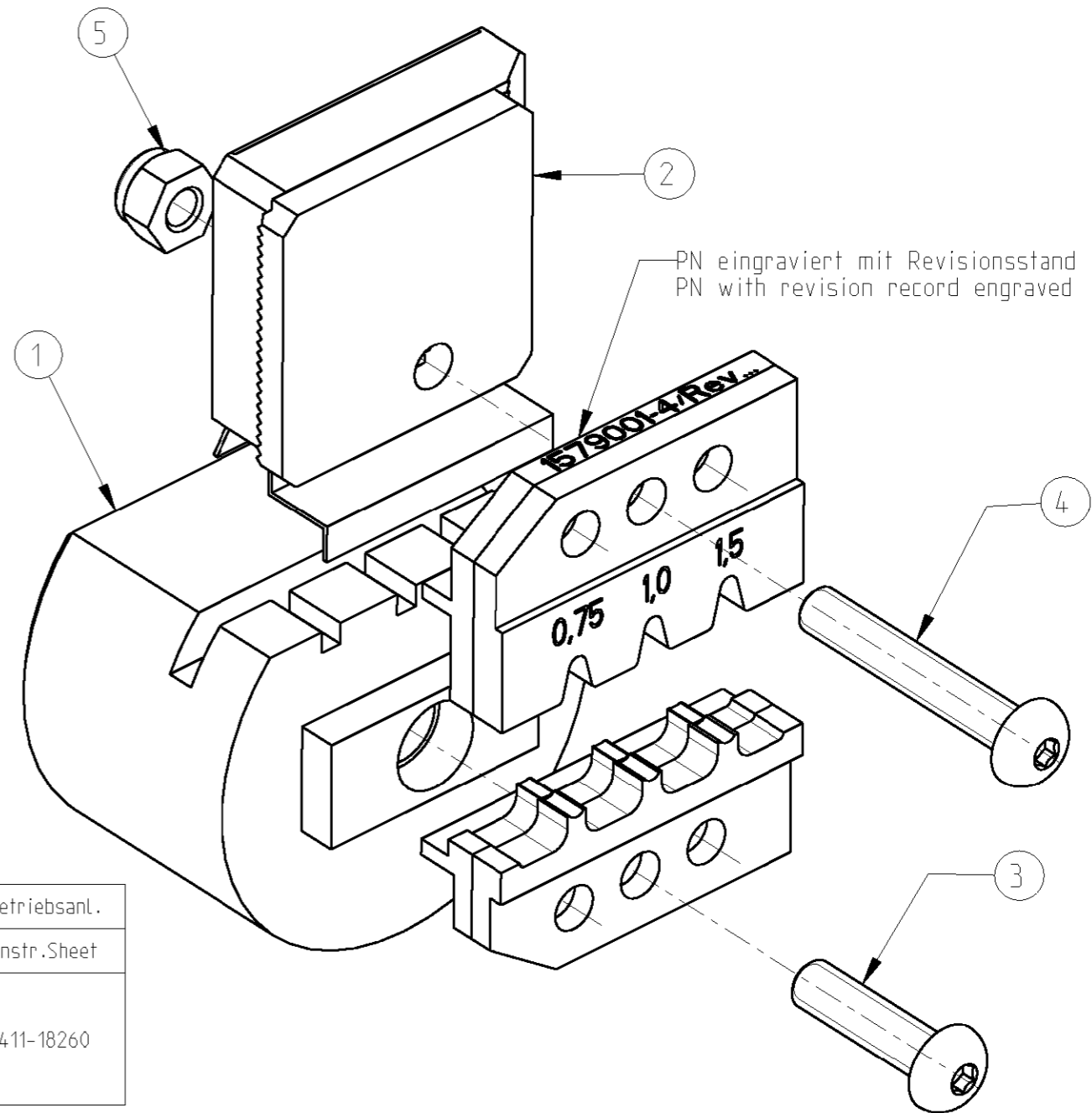
THIS DRAWING IS UNPUBLISHED. RELEASED FOR PUBLICATION 2003  
 © COPYRIGHT 2003 BY TYCO ELECTRONICS CORPORATION. ALL RIGHTS RESERVED.

LOC	DIST	REVISIONS			
P	LTR	DESCRIPTION	DATE	DWN	APVD
	B	EGC0-0075-04	05MAY2004	witt	-
	C	EGC0-0296-04	18NOV2004	witt	-

Matrize in Kombination mit Ergocrimp Basishandzange PN 539635-1 verwenden  
 Use die in combination with Ergocrimp basis hand tool PN 539635-1

Matrize im Karton mit Bedienungsanleitung 411-18260 verpackt  
 Die packed in a cardboard with instruction sheet 411-18260

1579001-4	1	2-0744010-6	Instruction Sheet	Bedienungsanleitung	6
	1	0-0519024-2	Nut M4 DIN 985	Mutter M4 DIN 985	5
	1	1-0519151-3	Screw M4x25	Schraube M4x25	4
	1	1-0519151-1	Screw M4x16	Schraube M4x16	3
	1	0-1579005-9	Locator Assembly	Drahtanschlag	2
	1	0-1579005-8	Contact Locator	Kontaktpositionierer	1
	QTY Stck	PN	Description	Benennung	Pos.



Kontakt	DGB (mm <sup>2</sup> )	Drahtcrimp / Wire Crimp		Isolationscrimp / Insulationcrimp		Isol.Ø	Betriebsanl.
Contact	Wire Range	Hoehe/Height mm	Breite/Width mm	Hoehe/Height mm	Breite/Width mm	Ins.Range	Instr.Sheet
929399 / 1355669	0.75	1.19 ±0.03	1.93	2.1 ±0.1	2.13	1.7-1.9	411-18260
	1.0	1.25 ±0.03	2.03	2.3 ±0.1	2.54	1.9-2.1	
	1.5	1.44 ±0.03		2.6 ±0.1		2.2-2.4	

THIS DRAWING IS A CONTROLLED DOCUMENT FOR TYCO ELECTRONICS CORPORATION IT IS SUBJECT TO CHANGE AND THE CONTROLLING ENGINEERING ORGANIZATION SHOULD BE CONTACTED FOR THE LATEST REVISION.		DWN Ch.Witt	05MAY2004	<b>tyco</b> Electronics		tyco Electronics AMP GmbH D - 64625 Bensheim	
DIMENSIONS: mm		TOLERANCES UNLESS OTHERWISE SPECIFIED:		NAME ERGOCRIMP DIE SET FOR MQS 1.2 mm Ergocrimp Matrize fuer MQS 1.2 mm			
		0 PLC ± 1 PLC ± 2 PLC ± 3 PLC ± 4 PLC ± ANGLES ±1°		PRODUCT SPEC - APPLICATION SPEC -			
MATERIAL -		FINISH -		SIZE A3		CAGE CODE 00779	
				DRAWING NO C=1579001-4		RESTRICTED TO -	
				WEIGHT -		SCALE 2:1	
				CUSTOMER DRAWING		SHEET 1 OF 1	
						REV C	