

4

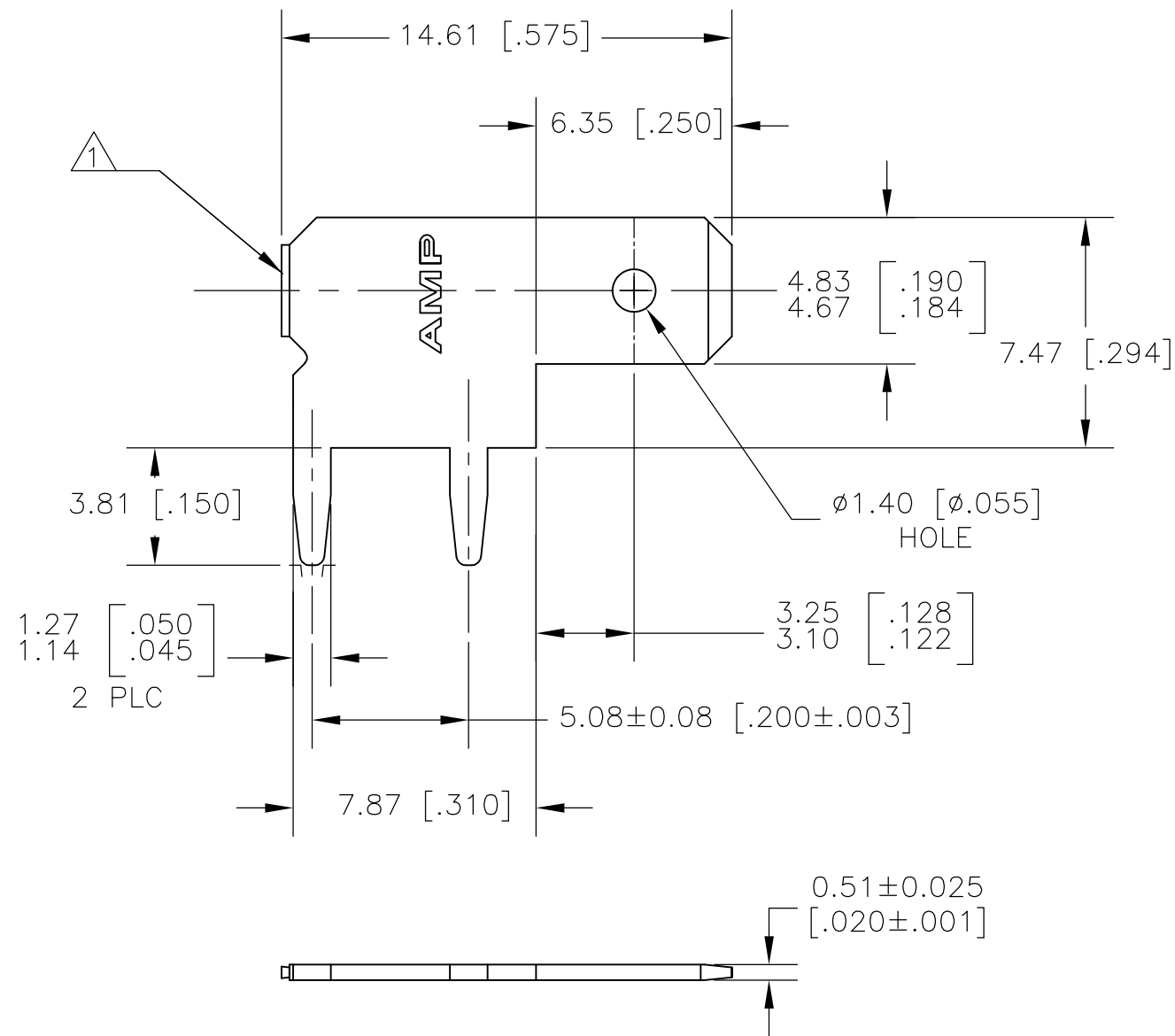
3

2

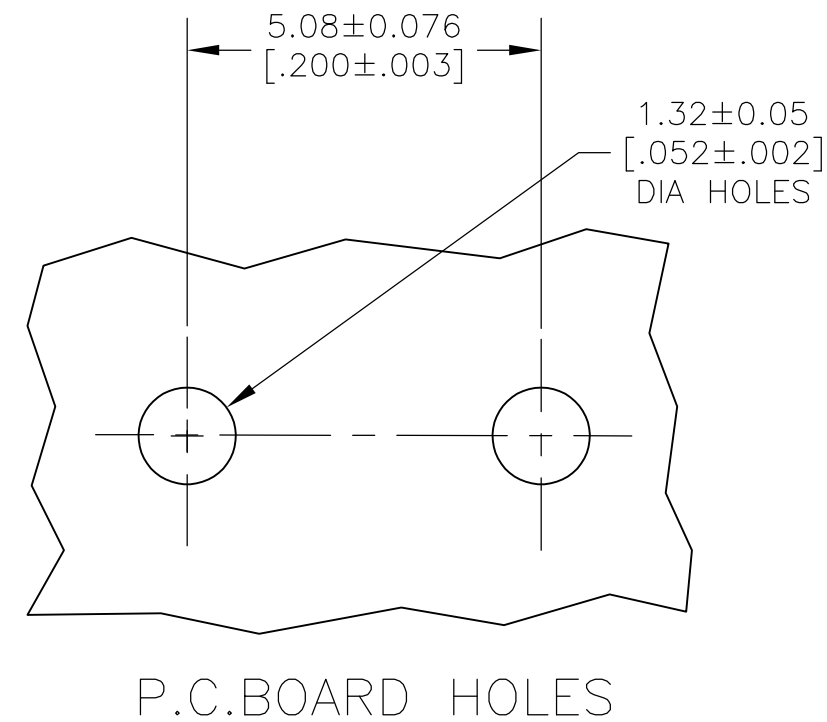
1

THIS DRAWING IS UNPUBLISHED. RELEASED FOR PUBLICATION
 © COPYRIGHT - By - ALL RIGHTS RESERVED.

LOC	DIST	REVISIONS				
P	LTR	DESCRIPTION	DATE	DWN	APVD	
AF	50					
		D	REVISED PER ECR-13-001204	28JUN13	KH PD	



- △ 1 SUPPLIED IN LOOSE PIECE. AFTER PLATING, BARE EDGES PERMITTED.
- △ 2 0.00381 [.000150] MIN TIN OVER 0.00127 [.000050] MIN NICKEL.



1217156-1
PART NO.

THIS DRAWING IS A CONTROLLED DOCUMENT.		DWN	JR RUTH	03APR01	 TE Connectivity	NAME						
DIMENSIONS: mm[INCHES]		CHK	MS FEHER	03APR01		TAB, FASTON, 4.75 [.187] SERIES						
TOLERANCES UNLESS OTHERWISE SPECIFIED:		APVD	N DEIBERT	03APR01		PRODUCT SPEC						
0 PLC ± - 1 PLC ± - 2 PLC ± 0.25 [.010] 3 PLC ± - 4 PLC ± - ANGLES ± -		APPLICATION SPEC		114-2115								
MATERIAL	BRASS	FINISH	△ 2		WEIGHT	-						
CUSTOMER DRAWING					SIZE	A3	CAGE CODE	00779	DRAWING NO	C-1217156	RESTRICTED TO	-
					SCALE	5:1		SHEET	1 of 1		REV	D