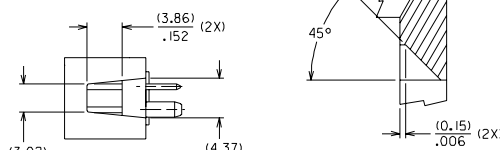
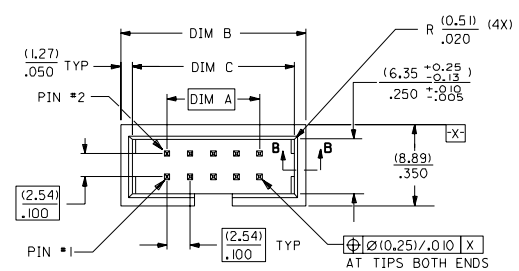


DWG. NO. SD_87256-***21

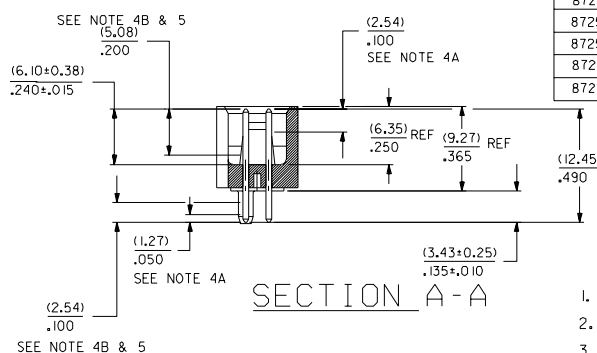
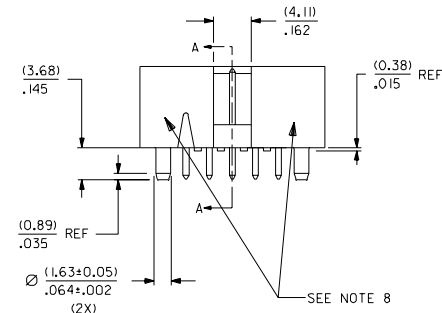
CAD FILE S872562.LDGN

▽

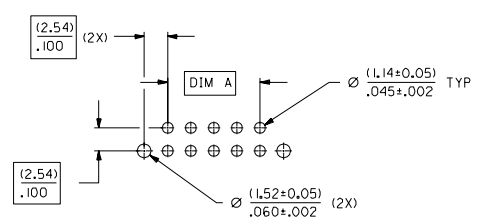
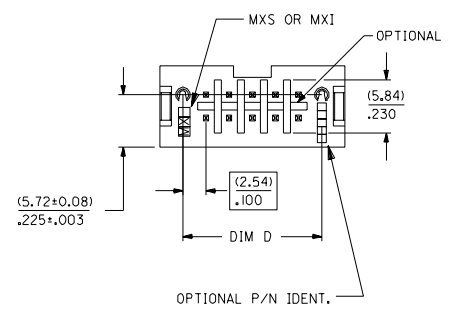
DO NOT SCALE DRAWING



SECTION B-B
SCALE 8:1



SECTION A-A



RECOMMENDED PCB PATTERN

| PART NUMBERS | CKT SIZE | DIM A | DIM B | DIM C | DIM D |
|--------------|----------|---------------|---------------|---------------|---------------|
| 87256-0421 | 04 | (2.54)/.100 | (12.70)/.500 | (10.16)/.400 | (7.62)/.300 |
| 87256-0621 | 06 | (5.08)/.200 | (15.24)/.600 | (12.70)/.500 | (10.16)/.400 |
| 87256-0821 | 08 | (7.62)/.300 | (17.78)/.700 | (15.24)/.600 | (12.70)/.500 |
| 87256-1021 | 10 | (10.16)/.400 | (20.32)/.800 | (17.78)/.700 | (15.24)/.600 |
| 87256-1221 | 12 | (12.70)/.500 | (22.86)/.900 | (20.32)/.800 | (17.78)/.700 |
| 87256-1421 | 14 | (15.24)/.600 | (25.40)/1.000 | (22.86)/.900 | (20.32)/.800 |
| 87256-1621 | 16 | (17.78)/.700 | (27.94)/1.100 | (25.40)/1.000 | (22.86)/.900 |
| 87256-1821 | 18 | (20.32)/.800 | (30.48)/1.200 | (27.94)/1.100 | (25.40)/1.000 |
| 87256-2021 | 20 | (22.86)/.900 | (33.02)/1.300 | (30.48)/1.200 | (27.94)/1.100 |
| 87256-2421 | 24 | (27.94)/1.100 | (38.10)/1.500 | (35.56)/1.400 | (33.02)/1.300 |
| 87256-2621 | 26 | (30.48)/1.200 | (40.64)/1.600 | (38.10)/1.500 | (35.56)/1.400 |
| 87256-3021 | 30 | (35.56)/1.400 | (45.72)/1.800 | (43.18)/1.700 | (40.64)/1.600 |
| 87256-3421 | 34 | (40.64)/1.600 | (50.80)/2.000 | (48.26)/1.900 | (45.72)/1.800 |
| 87256-4021 | 40 | (48.26)/1.900 | (58.42)/2.300 | (55.88)/2.200 | (53.34)/2.100 |
| 87256-4421 | 44 | (53.34)/2.100 | (63.50)/2.500 | (60.96)/2.400 | (58.42)/2.300 |
| 87256-5021 | 50 | (60.96)/2.400 | (71.12)/2.800 | (68.58)/2.700 | (66.04)/2.600 |
| 87256-5621 | 56 | (68.58)/2.700 | (78.74)/3.100 | (76.20)/3.000 | (73.66)/2.900 |
| 87256-6021 | 60 | (73.66)/2.900 | (83.82)/3.300 | (81.28)/3.200 | (78.74)/3.100 |
| 87256-6421 | 64 | (78.74)/3.100 | (88.90)/3.500 | (86.36)/3.400 | (83.82)/3.300 |
| 87256-7221 | 72 | (88.90)/3.500 | (99.06)/3.900 | (96.52)/3.800 | (93.98)/3.700 |

PART NUMBER LEGEND

87256 - * * 2 1

CKT SIZES

NOTES :

- PIN PUSHOUT FORCE (0.9072 KG)/2 LBS MIN.
- PRODUCT SPECIFICATION #70246 APPLIES.
- WAFER TO BE FLAT WITHIN (0.03MM/CM)/.003IN/IN.
- DIMENSIONS FOR PLATING LOCATIONS : A - MEASURE POINT FOR THICKNESS.
B - MINIMUM COVERAGE.
- GOLD END OF PIN UNLESS OVERALL PLATED.
- FINISH : (PER ES-88)
0.13um/5u" MIN GOLD FLASH OVER 1.02um/40u" MIN.PD/NI
IN SELECTED AREA AND 2.5um/100u" MIN.TIN/LEAD IN SELECTED AREA OVER 1.27um/50u" MIN NICKEL OVERALL
- FOR ILLUSTRATION PURPOSE A 10 CKT IS SHOWN.
- OPTIONAL LOCATION FOR WEEK/YEAR STAMP IF REQUIRED BY CUSTOMER

(MM)
INCH

| | | | | | | | |
|---------------------------|-------------------------|--------|-----|--|--------------------------------|--|--|
| | | | | MATERIAL : WAFER : HIGH TEMP. THERMOPLASTICS PINS : (0.64)/.025 SO CU ALLOY | | MOLEX SINGAPORE PTE LTD SHEET 1 OF 1 | |
| | | | | FINISH : SEE DRAWING | | | |
| A | RELEASE PER ECN# S50173 | S50173 | INC | 941017 | GENERAL TOLERANCES ± 0.20/.008 | | REV A |
| LTR | REVISION RECORD | ECN | DR | CHK | DATE | DWG. NO. SD_87256-***21 | |
| REVISE ONLY ON CAD SYSTEM | | | | | DRAWN BY KC LING 941017 | CHK'D BY | TITLE : C-GRID, SHROUDED WAFER SLOTTED, WITH IN-LINE POLARIZATION PEGS |
| | | | | | APPR'D BY | SCALE 2 : 1 | |