

MATERIAL NUMBER	# OF COLUMNS	# OF DIFF PAIR	DIM "A" MAX	DIM "B"	PTH $\varnothing$
76500-*8**	8	32	22.80	13.30	0.46±0.05
76500-*1**	10	40	26.60	17.10	0.46±0.05
76500-*6**	16	64	38.00	28.50	0.46±0.05
76500-*8**	8	32	22.80	13.30	0.39±0.05
76500-*1**	10	40	26.60	17.10	0.39±0.05
76500-*6**	16	64	38.00	28.50	0.39±0.05

76500-\*\*\*\*

MODULE TYPE  
 5 = RIGHT GUIDED, LEAD-FREE  
 9 = RIGHT GUIDED, LEAD-FREE W/ ENDWALL

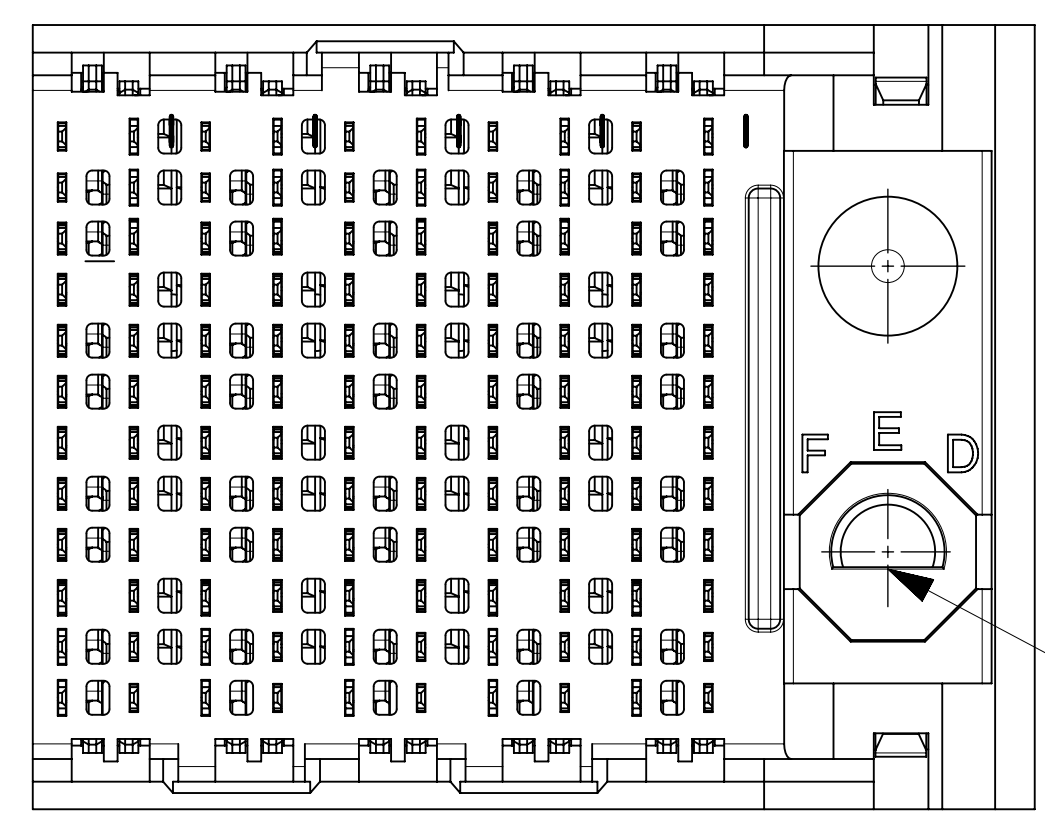
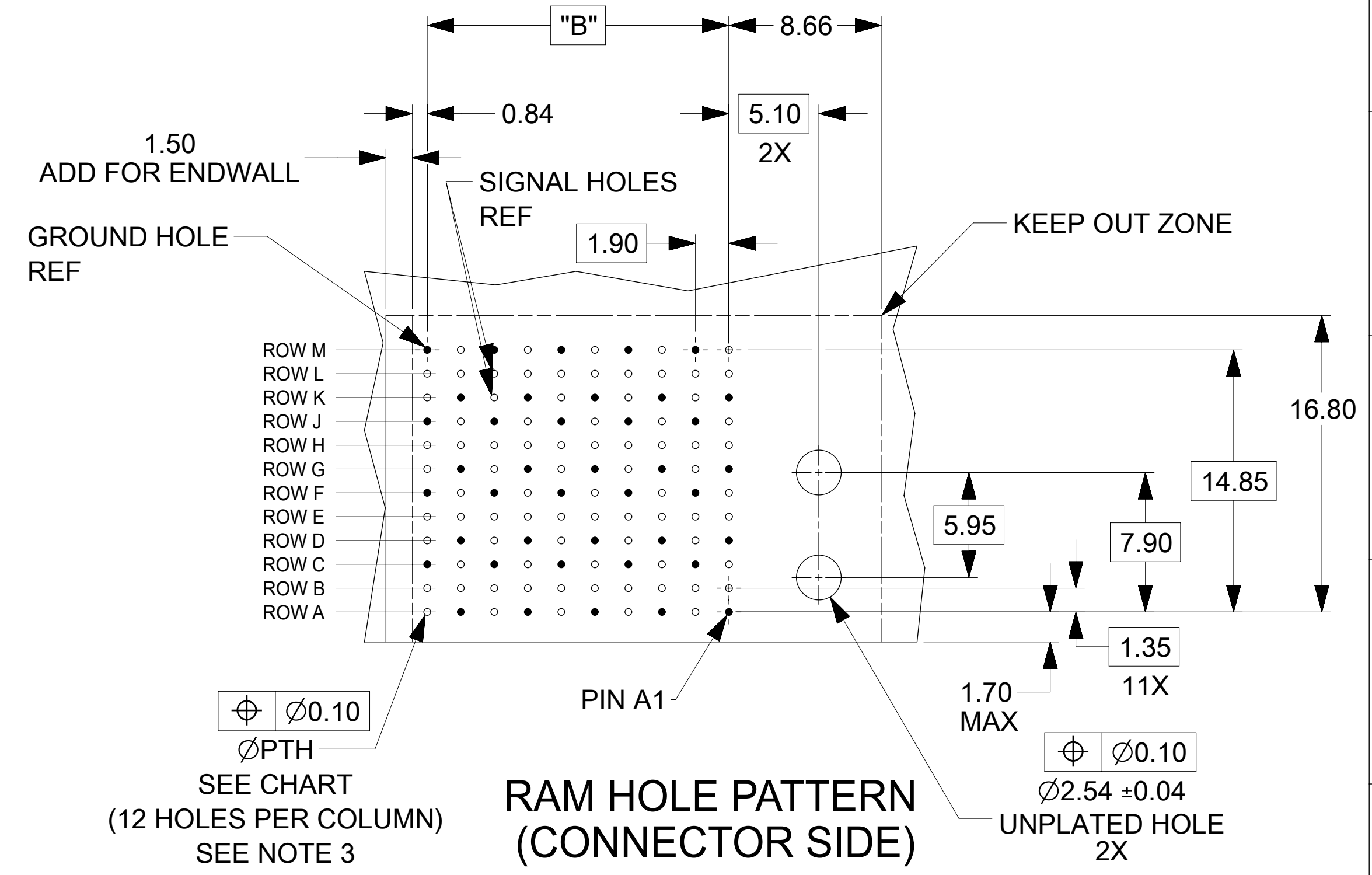
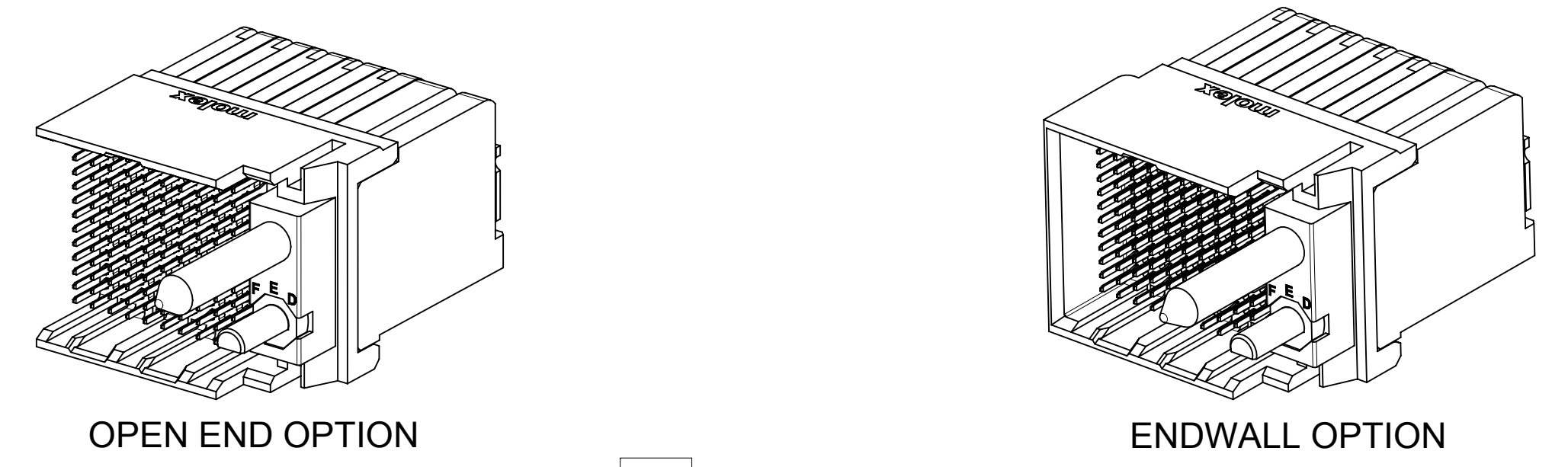
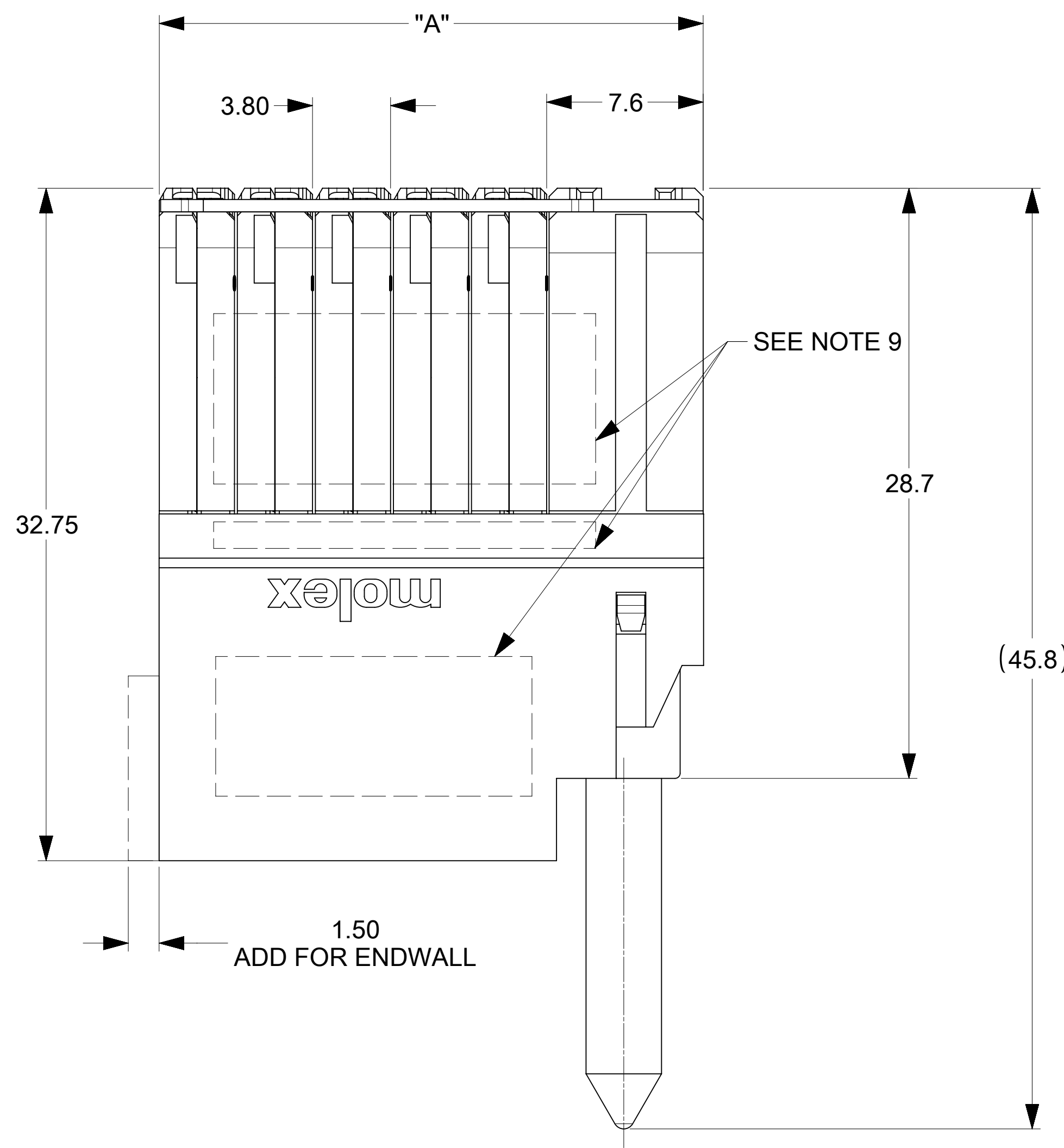
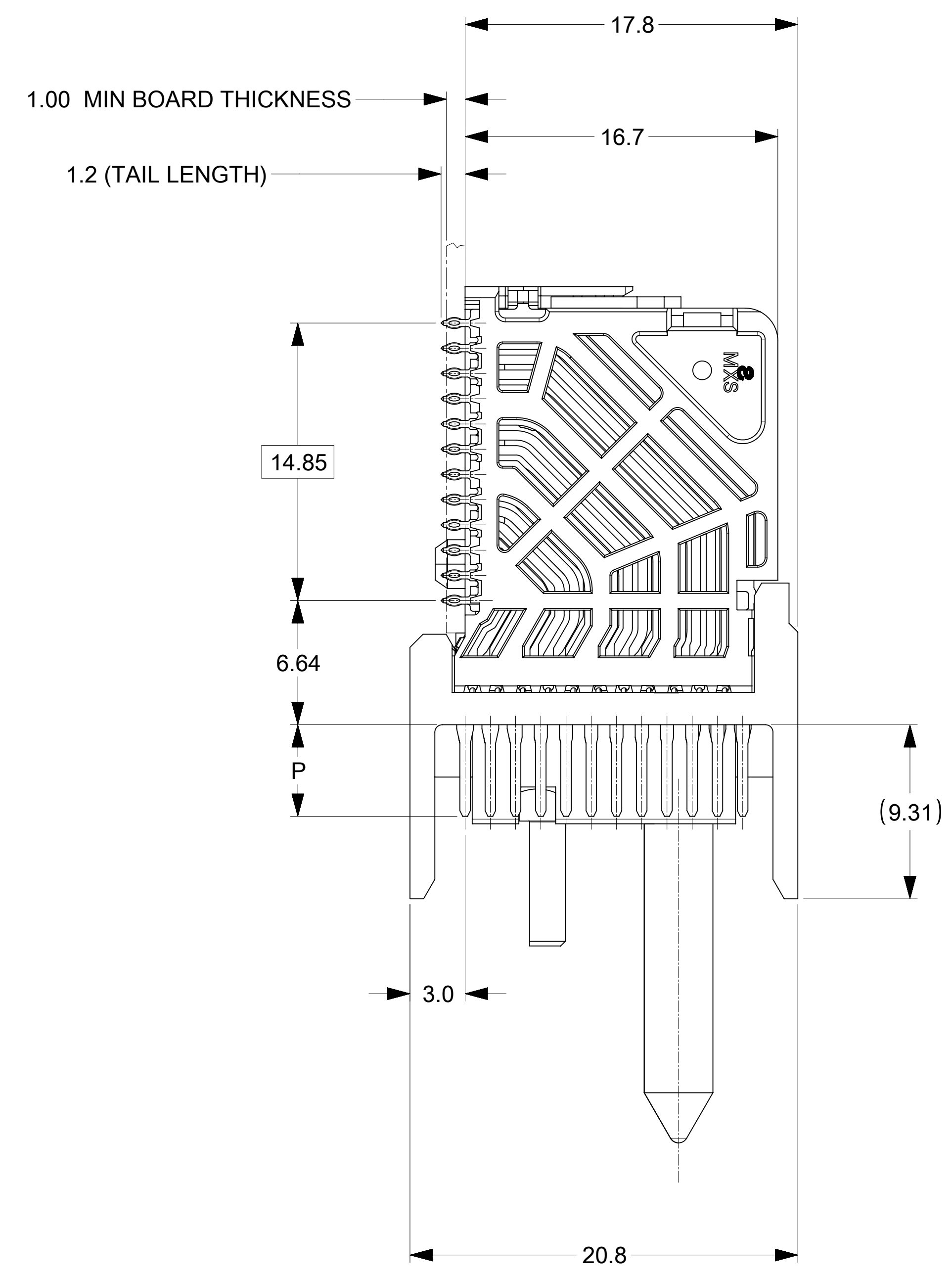
PIN LENGTH (P)  
 4 = 4.90 (0.46 PTH)  
 5 = 5.50 (0.46 PTH)  
 7 = 4.90 (0.39 PTH)  
 8 = 5.50 (0.39 PTH)

# OF COLUMNS  
 1 = 10 COLUMNS  
 6 = 16 COLUMNS  
 8 = 8 COLUMNS

KEY ORIENTATION  
 0 = NO KEY  
 1 = A 5 = E  
 2 = B 6 = F  
 3 = C 7 = G  
 4 = D 8 = H

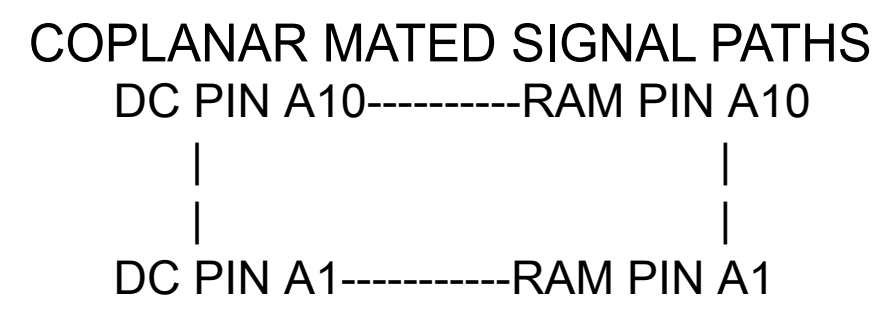
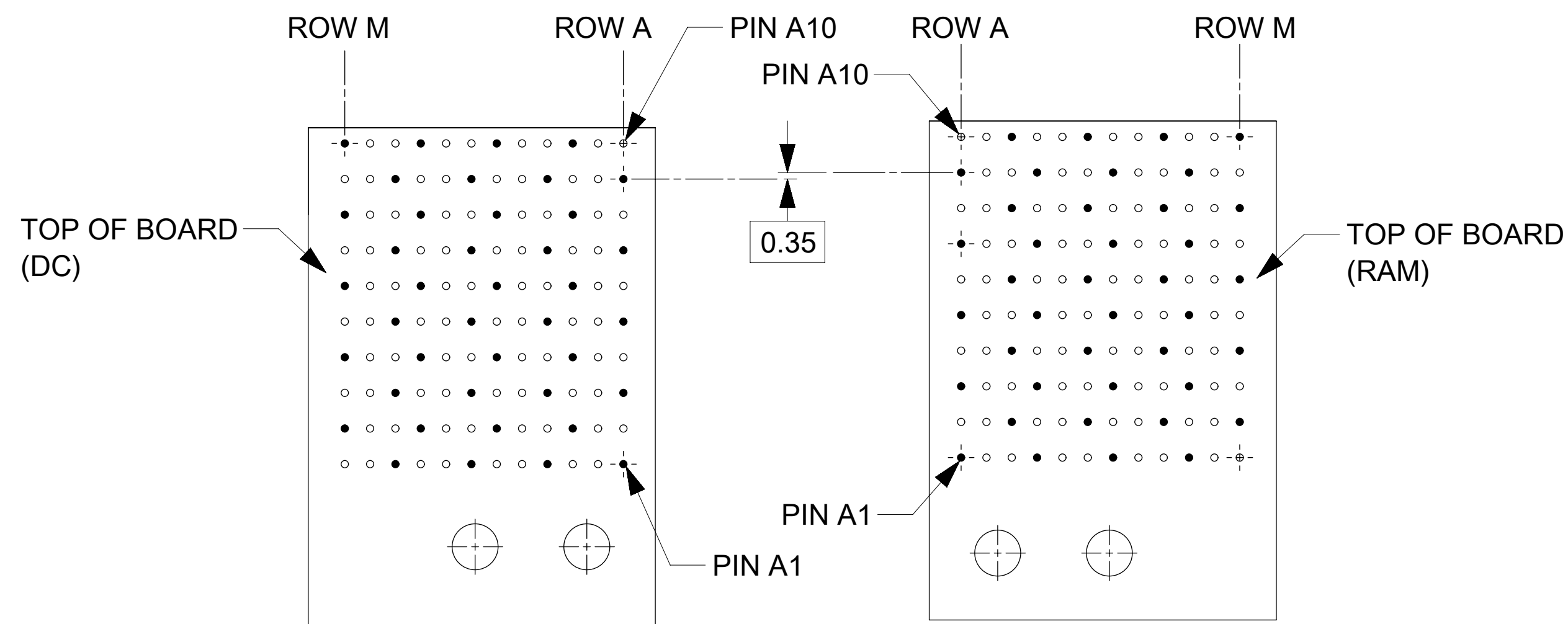
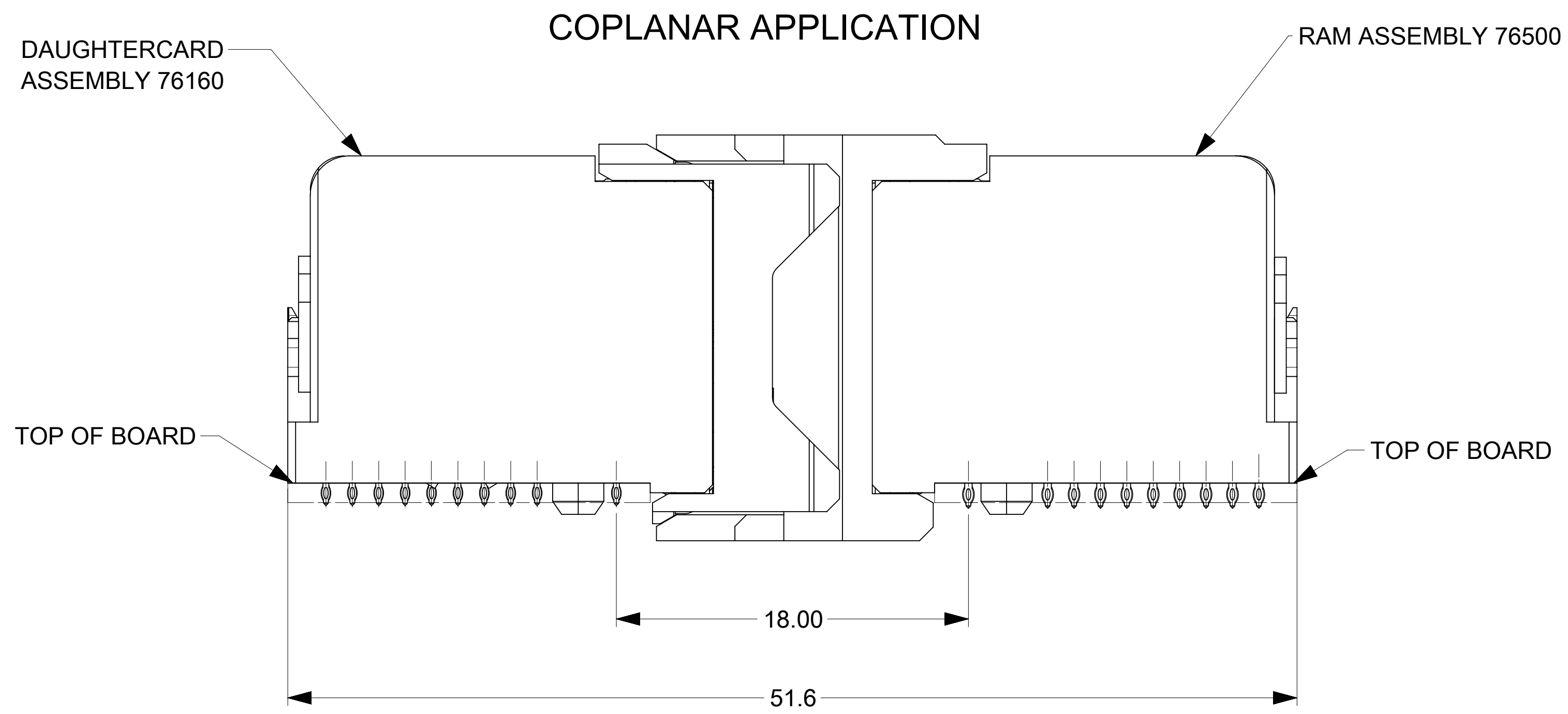
NOTES:

- MATERIALS: HOUSING - LIQUID CRYSTAL POLYMER (LCP), GLASS-FILLED, UL94V-0  
 TERMINALS - HIGH PERFORMANCE COPPER ALLOY
- FINISH: 30μIN SELECTIVE GOLD IN CONTACT AREA, SELECTIVE TIN ON PCB TAILS, NICKEL OVERALL.
- REFER TO MOLEX PRODUCT SPECIFICATION PS-76060-999 FOR PERFORMANCE SPECIFICATIONS AND ADDITIONAL PCB INFORMATION.
- EACH SIGNAL WAFER CONTAINS 2 COLUMNS OF TERMINALS.
- PRODUCT IS PACKAGED PER PK-70873-041.
- THIS PART CONFORMS TO CLASS B REQUIREMENTS OF COSMETIC SPEC PS-45499-002.7. REFER TO MOLEX SALES DRAWING SD-76160-002 FOR THE MATING RECEPTACLES.
- REFER TO MOLEX PCB ROUTING GUIDE AS-76060-990 FOR ANTIPAD AND ROUTING RECOMMENDATIONS.
- WHEN USING MOLEX SUPPLIED #2-32 SCREW 73726-0000 (9.50mm ±0.38 THREADABLE SCREW LENGTH), THE MAXIMUM BOARD THICKNESS IS 4.4mm.
- GUIDE RIGHT RAM MATES WITH A GUIDE LEFT DAUGHTERCARD.
- MARKING: LOCATED APPROXIMATELY AS SHOWN. PART NUMBER AND DATE CODE.



THIS DRAWING CONTAINS INFORMATION THAT IS PROPRIETARY TO MOLEX ELECTRONIC TECHNOLOGIES, LLC AND SHOULD NOT BE USED WITHOUT WRITTEN PERMISSION											
DIMENSION UNITS: mm		SCALE: NTS		CURRENT REV DESC: REMASTERED TO NX							
GENERAL TOLERANCES (UNLESS SPECIFIED)				<b>molex</b> IMPACT 4 PAIR RAM GUIDE RIGHT SIGNAL MODULE SALES DWG PRODUCT CUSTOMER DRAWING							
ANGULAR TOL ± 0.5°											
4 PLACES ±		EC NO: 705090									
3 PLACES ±		DRWN: DYARAS 2021/12/13									
2 PLACES ± 0.13		CHK'D: YOGEEB 2022/02/17									
1 PLACE ± 0.25		APPR: LZENG 2022/05/13									
0 PLACES ±				INITIAL REVISION:		DOC NUMBER		DOC TYPE		DOC PART	
1 PLACE ± 0.25		DRWN: JQUILES 2009/01/12		SD-76500-004		PSD		001		F4	
0 PLACES ±		APPR: JLAURX 2009/01/13		SERIES		MATERIAL NUMBER		CUSTOMER		SHEET NUMBER	
DRAFT WHERE APPLICABLE MUST REMAIN WITHIN DIMENSIONS				THIRD ANGLE PROJECTION		DRAWING		GENERAL MARKET		1 OF 2	
				D-SIZE		76500		SEE TABLE			

DOCUMENT STATUS	P1	RELEASE DATE	2022/05/13	03:06:37
-----------------	----	--------------	------------	----------



THIS DRAWING CONTAINS INFORMATION THAT IS PROPRIETARY TO MOLEX ELECTRONIC TECHNOLOGIES, LLC AND SHOULD NOT BE USED WITHOUT WRITTEN PERMISSION									
DIMENSION UNITS		SCALE		CURRENT REV DESC: REMASTERED TO NX					
mm		NTS		<p style="text-align: center;"><b>molex</b></p> <p style="text-align: center;">IMPACT 4 PAIR RAM GUIDE RIGHT SIGNAL MODULE SALES DWG</p> <p style="text-align: center;">PRODUCT CUSTOMER DRAWING</p>					
GENERAL TOLERANCES (UNLESS SPECIFIED)									
ANGULAR TOL		± 0.5°							
4 PLACES		±							
3 PLACES		±							
2 PLACES		± 0.13		EC NO: 705090		2021/12/13			
1 PLACE		± 0.25		DRWN: DYARAS		2022/02/17			
0 PLACES		±		CHK'D: YOGEEB		2022/05/13			
DRAFT WHERE APPLICABLE MUST REMAIN WITHIN DIMENSIONS				THIRD ANGLE PROJECTION		DRAWING		SERIES	
D-DRAWING		76500		MATERIAL NUMBER		CUSTOMER		SHEET NUMBER	
SEE TABLE		GENERAL MARKET		SD-76500-004		PSD 001 F4		2 OF 2	