

TABLE OF CONTENTS	
SHEET NO.	SHEET DESCRIPTION
1	NOTES AND BOM
2	CONFIGURATIONS
3-4	KEY CONFIGURATIONS
5	BLADE CONNECTOR ASSEMBLY
6	SYSTEM PACKAGING
7	BACKSHELL NOTES
8	BACKSHELL
9	BACKSHELL CONFIGURATIONS

NOTES: VALID UNLESS OTHERWISE SPECIFIED

1. GENERAL:

a. APPLICATION SPECIFICATION SEE: AS-33472-100
 -CONTAINS: PRODUCT INTRODUCTION, PRODUCT SUMMARY, CONNECTOR ASSEMBLY, PACKAGING INFORMATION, CONNECTOR MATING, SERVICE INSTRUCTIONS, ELECTRICAL CONTINUITY CHECKING, CRIMPING, AND TROUBLESHOOTING.
 -DESIGNED TO MATE WITH CONNECTOR AS SPECIFIED IN THE MATING CONNECTOR DRAWINGS CHART.
 -ASSEMBLY SHIPPED WITH PLR IN PRE-LOCK POSITION (SEE PLR PRE-LOCK VIEW SHEET 5).

b. PRODUCT SPECIFICATION SEE: PS-160008-0001
 CONTAINS: SCOPE, PRODUCT DESCRIPTION, INTEGRAL COMPONENTS AND ACCESSORIES, APPLICABLE DOCUMENTS AND SPECIFICATIONS, RATINGS, PERFORMANCE, PACKAGING, GAUGES AND FIXTURES, AND OTHER INFORMATION.

c. PACKAGING SPECIFICATION PER MOLEX DRAWING: SEE PACKAGING CHART.

d. PARTS MUST BE IN COMPLIANCE TO MOLEX CHEMICAL SUBSTANCES FOR PRODUCTS AND PACKAGING SPECIFICATION: QEHS-699000-300

e. DATA MUST BE SUBMITTED UNDER THE MOLEX PART NUMBER TO IMDS (COMPANY ID#13255)

2. DESIGN - MATERIALS:

a. SEE BOM TABLE IN SD-160011-0002

3. DESIGN - GEOMETRY:

a. THE 3-D CAD DATA IS BASIC (WITHOUT TOLERANCE) AND MASTER FOR THIS PART WITH THE EXCEPTION OF UNDERLINED DIMENSIONS. DIMENSIONAL INFORMATION NOT SHOWN ON THIS DRAWING IS DEFINED BY THE DATA FILE AT ITS LATEST REVISION.

b. GEOMETRIC DIMENSIONS AND TOLERANCES PER ASME Y14.5M-2009

c. EDGES AND UNDIMENSIONED DETAILS PER ISO13715

d. CORNERS SHOWN AS SHARP TO BE R 0.2 MAX.

e. LETTERING SHALL BE 0.15 MAX RAISED IN 0.25 MAX RECESS PAD. THIS INCLUDES RECYCLING CODE, CAVITY ID, VENDOR IDENTIFICATION, AND CUSTOMER MATERIAL NUMBER.

f. VISUAL DEFECTS SHALL MEET COSMETIC STANDARD PS-45499-002 (Class B).

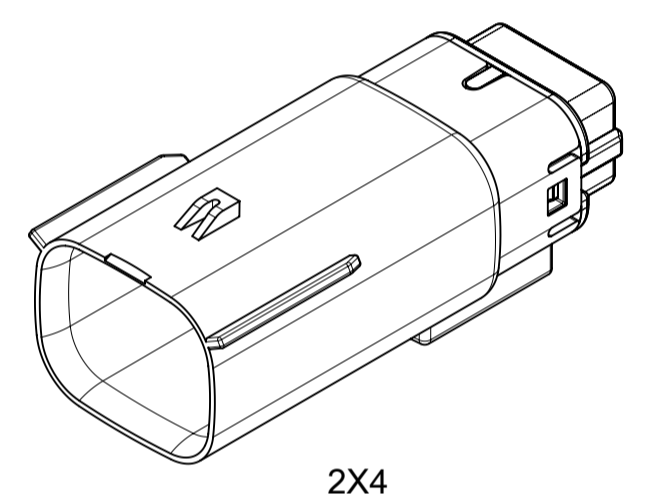
g. LASER MARKING:

- PART NUMBER
- DAY OF THE YEAR
- SHIFT
- YEAR

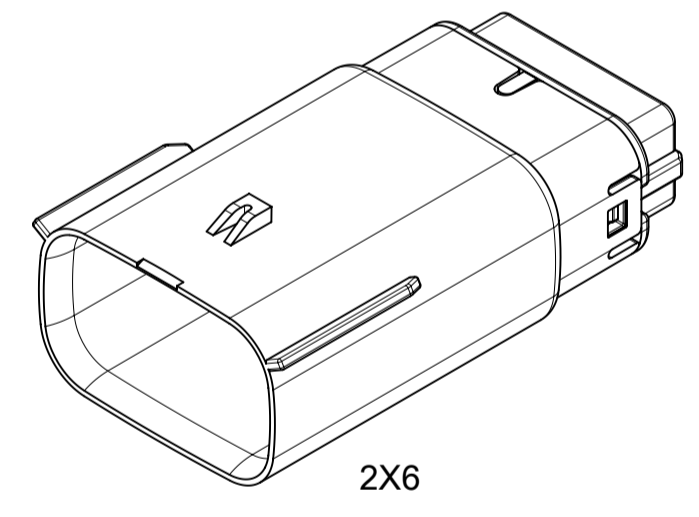
FOR ADDITIONAL INFORMATION REFERENCE SECTION 5 UNDER PROCEDURES IN ES-34735-008.

PACKAGING	
DESCRIPTION	DRAWING NO.
2X2	TBD
2X3	TBD
2X4	PK-36518-392
2X6	PK-31300-635
2X8	TBD
2X10	PK-31300-635

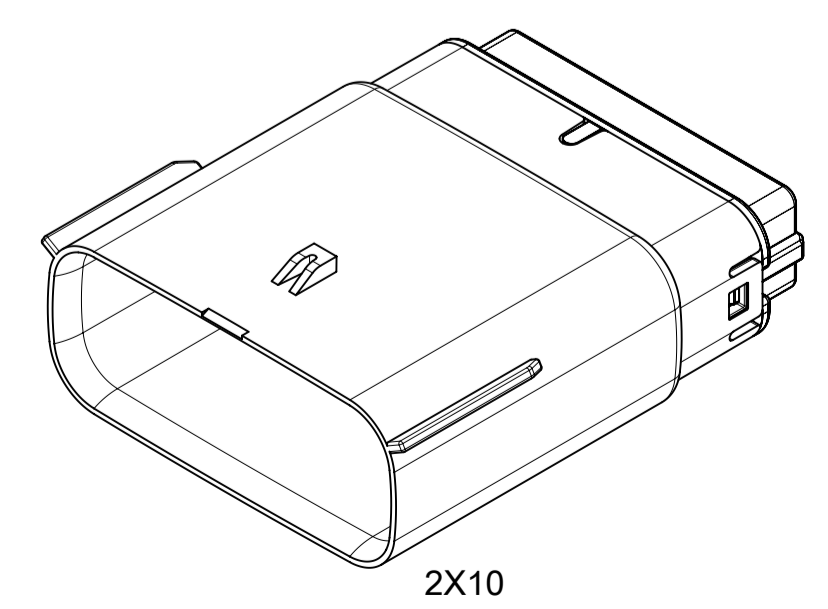
MATING CONNECTOR DRAWINGS	
DESCRIPTION	MOLEX INLINE
2X2	TBD
2X3	TBD
2X4	SD-160008-0001
2X6	SD-160008-0001
2X8	TBD
2X10	SD-160018-0001



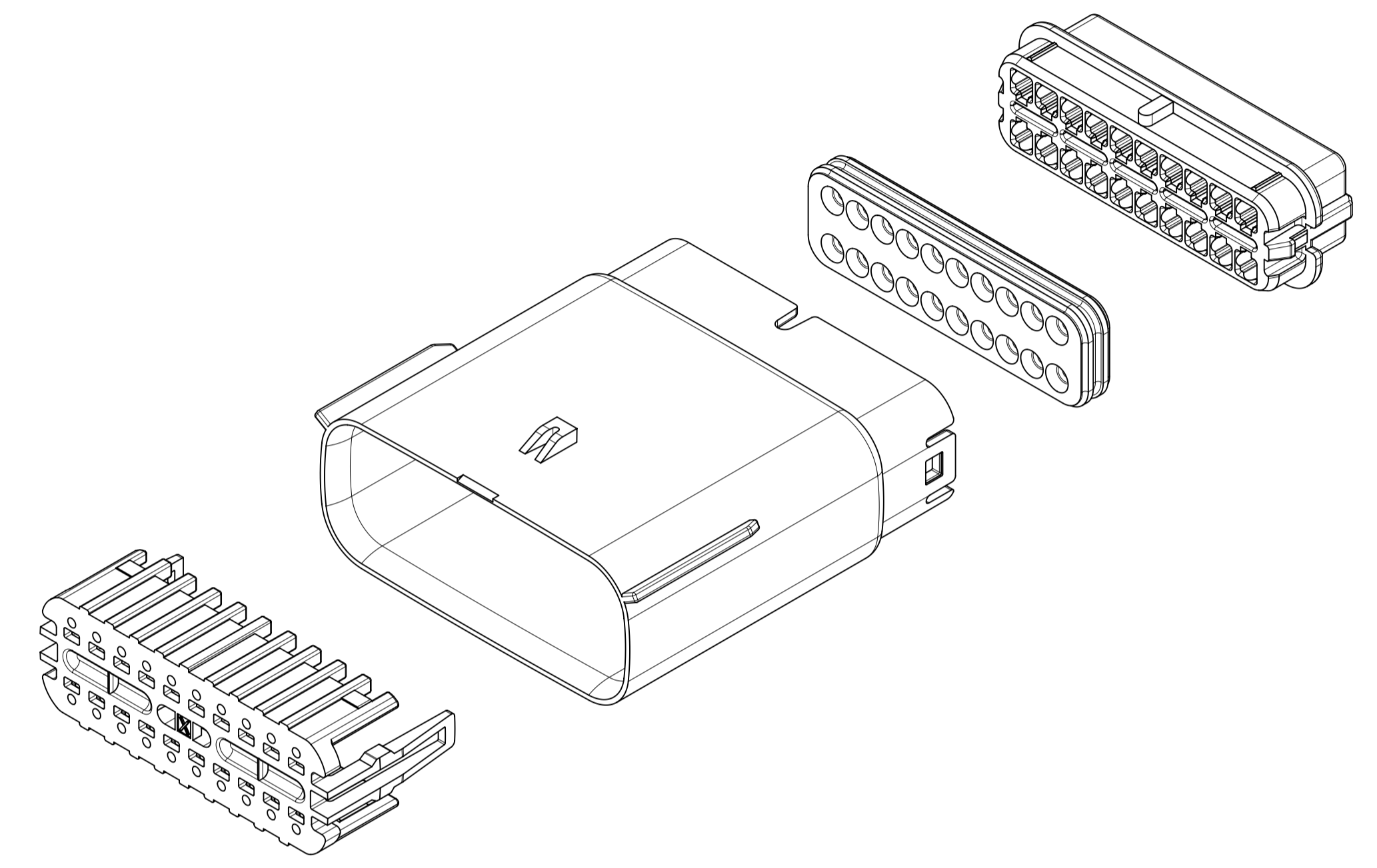
2X4



2X6



2X10



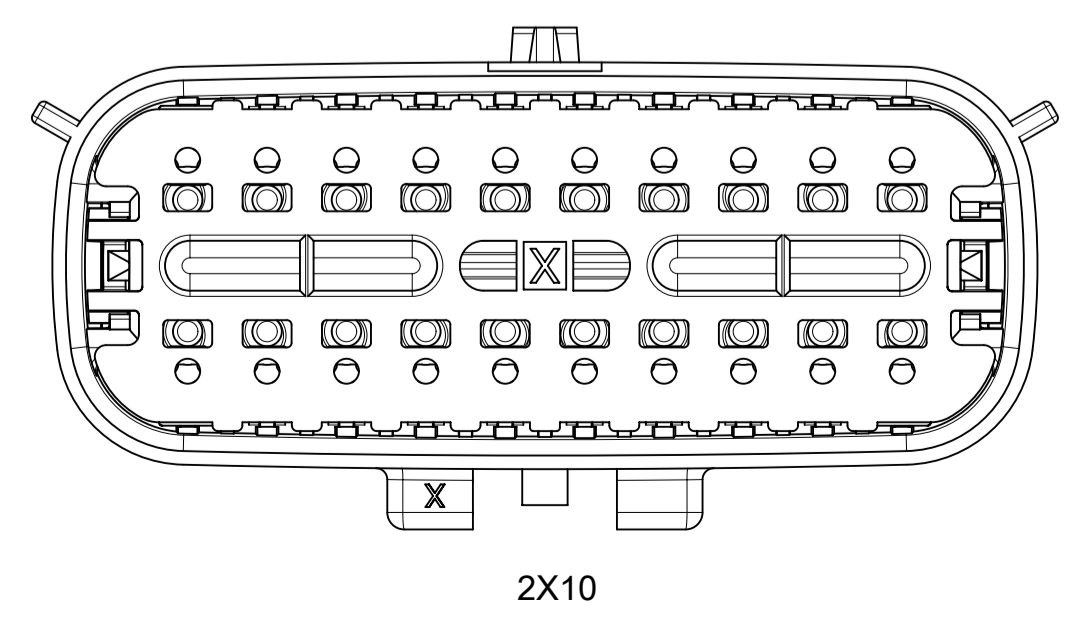
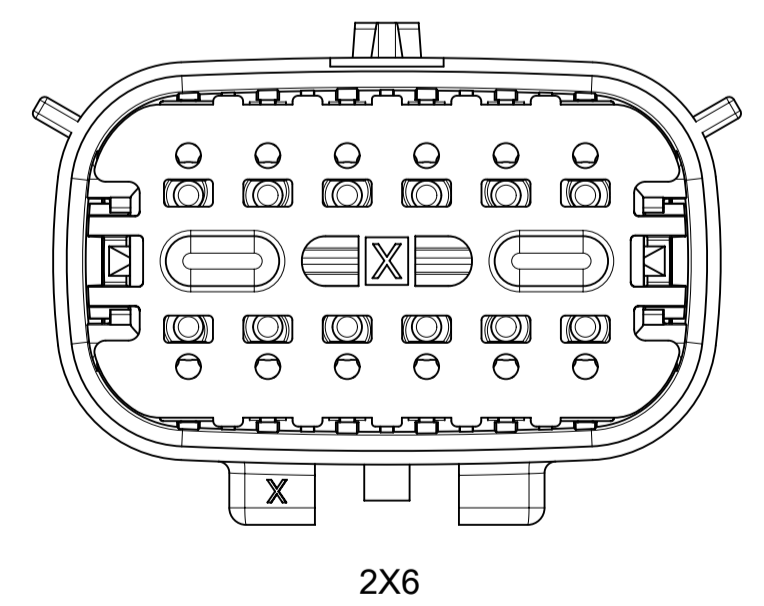
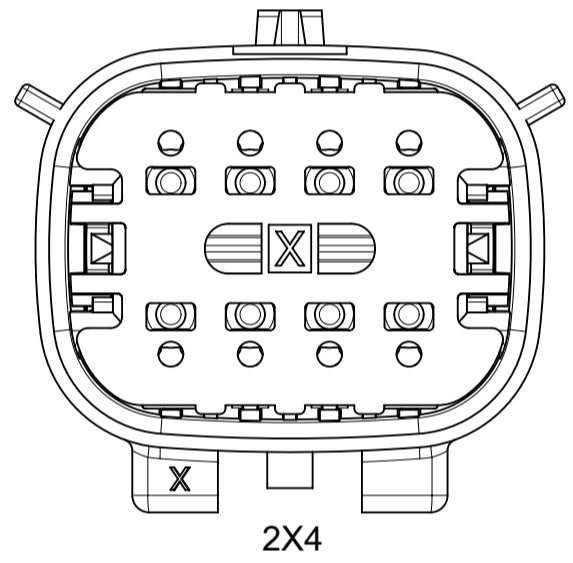
INSPECTION NUMBER LOG	
LAST NUMBER:	
ADDED:	
REMOVED:	

A5	ADDED MOLEX BACKSHELL DETAILS
A4	MIGRATED FROM COCREATE AND IMPORTED DXF FILES
A3	ADDED SHEET 6 & UPDATED PASS THRU
A2	UPDATED NOTES & BACKSHELL INFO
A1	CORRECTED DIM 16
A	INITIAL RELEASE
REV	REV DESCRIPTION

SYMBOLS = 0 = 0 = 0 = 0 = 0 = 0 = 0 = 0 = 0 = 0	THIS DRAWING CONTAINS INFORMATION THAT IS PROPRIETARY TO MOLEX ELECTRONIC TECHNOLOGIES, LLC AND SHOULD NOT BE USED WITHOUT WRITTEN PERMISSION DIMENSION UNITS: mm SCALE: 1.5:1 GENERAL TOLERANCES (UNLESS SPECIFIED) ANGULAR TOL ± 3.0° 4 PLACES ± 3 PLACES ± 2 PLACES ± 0.1 1 PLACE ± 0.2 0 PLACES ± DRAFT WHERE APPLICABLE MUST REMAIN WITHIN DIMENSIONS	CURRENT REV DESC: EC NO: 171650 DRWN: PMANJUNATHAC 2018/01/01 CHK'D: MVANSLAMBROU 2018/02/16 APPR: MVANSLAMBROU 2018/02/16 INITIAL REVISION: DRWN: KBORUSZEWSKI 2014/02/19 APPR: VKOSHY 2014/03/05	 MX150 GEN 2 BLADE DUAL ROW SEALED ASSEMBLY MAT SEAL PRODUCT CUSTOMER DRAWING	
	DOCUMENT NUMBER: SD-160011-0001 DOC TYPE: PSD DOC PART: 001 REVISION: A5	MATERIAL NUMBER: 160011 CUSTOMER: GENERAL MARKET SHEET NUMBER: 1 OF 11		
	THIRD ANGLE PROJECTION 	DRAWING: A1-SIZE SERIES: 160011		
	DOCUMENT STATUS: P1 RELEASE DATE: 2018/02/16 22:02:24			

18 17 16 15 14 13 12 11 10 9 8 7 6 5 4 3 2 1

SHEET DESCRIPTION
CONFIGURATIONS



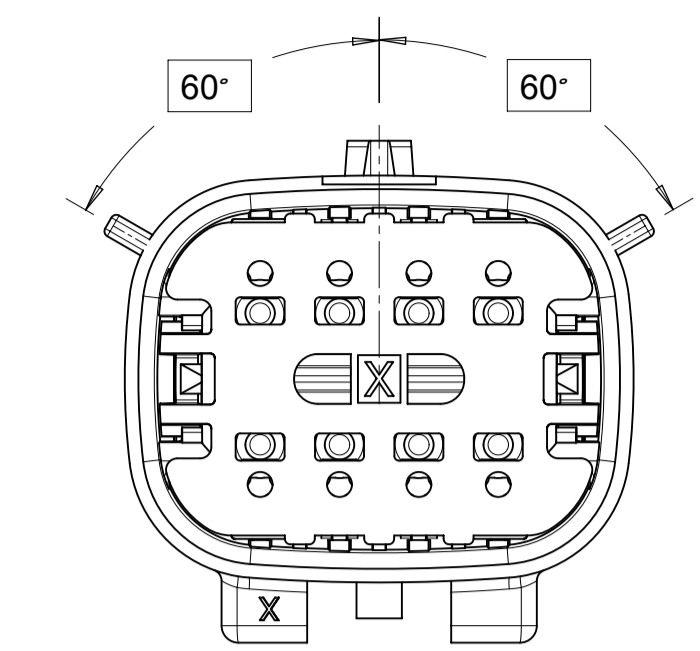
SYMBOLS	THIS DRAWING CONTAINS INFORMATION THAT IS PROPRIETARY TO MOLEX ELECTRONIC TECHNOLOGIES, LLC AND SHOULD NOT BE USED WITHOUT WRITTEN PERMISSION		CURRENT REV DESC:							
	DIMENSION UNITS	SCALE								
▽ = 0	mm	3:1	EC NO: 171650 DRWN: PMANJUNATHAC 2018/01/01 CHK'D: MVANSLAMBROU 2018/02/16 APPR: MVANSLAMBROU 2018/02/16		MX150 GEN 2 BLADE DUAL ROW SEALED ASSEMBLY MAT SEAL					
▽ = 0	GENERAL TOLERANCES (UNLESS SPECIFIED)				PRODUCT CUSTOMER DRAWING					
▽ = 0	ANGULAR TOL ± 3.0°				INITIAL REVISION: DRWN: KBORUSZEWSKI 2014/02/19 APPR: VKOSHY 2014/03/05		DOCUMENT NUMBER	DOC TYPE	DOC PART	REVISION
▽ = 0	4 PLACES	±					SD-160011-0001	PSD	001	A5
▽ = 0	3 PLACES	±	MATERIAL NUMBER				CUSTOMER		SHEET NUMBER	
▽ = 0	2 PLACES	± 0.1	THIRD ANGLE PROJECTION 		GENERAL MARKET		2 OF 11			
▽ = 0	1 PLACE	± 0.2			DRAWING	SERIES				
▽ = 0	0 PLACES	±	A1-SIZE	160011						
▽ = 0	DRAFT WHERE APPLICABLE MUST REMAIN WITHIN DIMENSIONS									

DOCUMENT STATUS	P1	RELEASE DATE	2018/02/16	22:02:24
-----------------	----	--------------	------------	----------

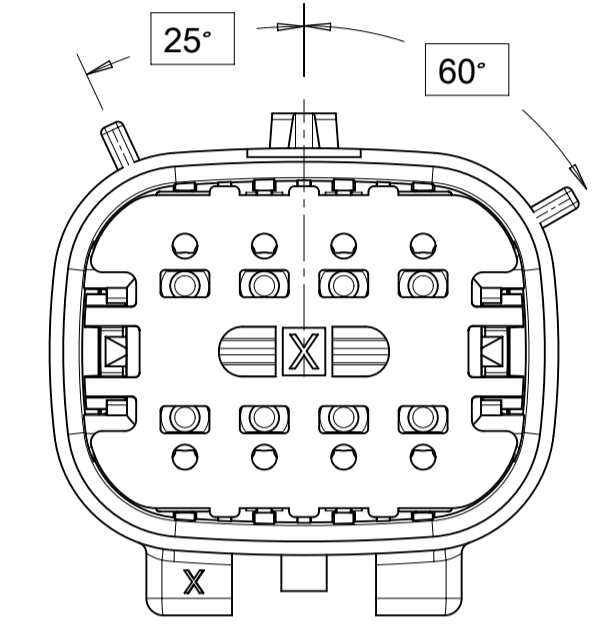
18 17 16 15 14 13 12 11 10 9 8 7 6 5 4 3 2 1

SHEET DESCRIPTION
KEY CONFIGURATIONS

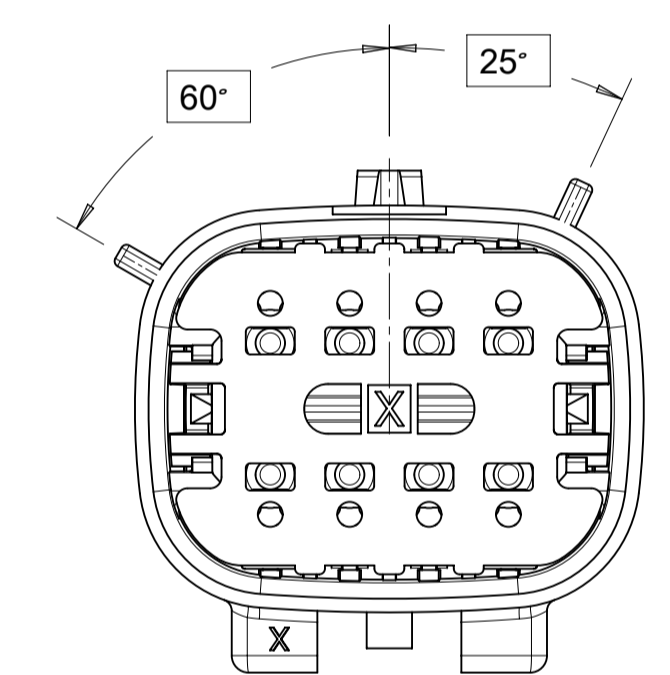
2X4



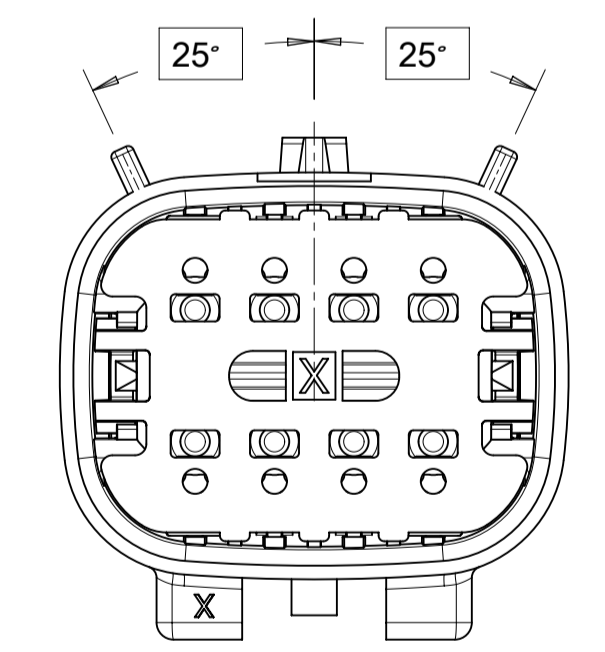
KEY A



KEY B



KEY C



KEY D

THIS DRAWING CONTAINS INFORMATION THAT IS PROPRIETARY TO MOLEX ELECTRONIC TECHNOLOGIES, LLC AND SHOULD NOT BE USED WITHOUT WRITTEN PERMISSION

SYMBOLS	DIMENSION UNITS	SCALE
	mm	3:1
	GENERAL TOLERANCES (UNLESS SPECIFIED)	
	ANGULAR TOL ± 3.0°	
	4 PLACES	±
	3 PLACES	±
	2 PLACES	± 0.1
	1 PLACE	± 0.2
	0 PLACES	±
	DRAFT WHERE APPLICABLE MUST REMAIN WITHIN DIMENSIONS	

CURRENT REV DESC:
 EC NO: 171650
 DRWN: PMANJUNATHAC 2018/01/01
 CHK'D: MVANSLAMBROU 2018/02/16
 APPR: MVANSLAMBROU 2018/02/16
 INITIAL REVISION:
 DRWN: KBORUSZEWSKI 2014/02/19
 2014/03/05
 APPR: VKOSHY

molex

MX150 GEN 2 BLADE
DUAL ROW SEALED ASSEMBLY MAT SEAL

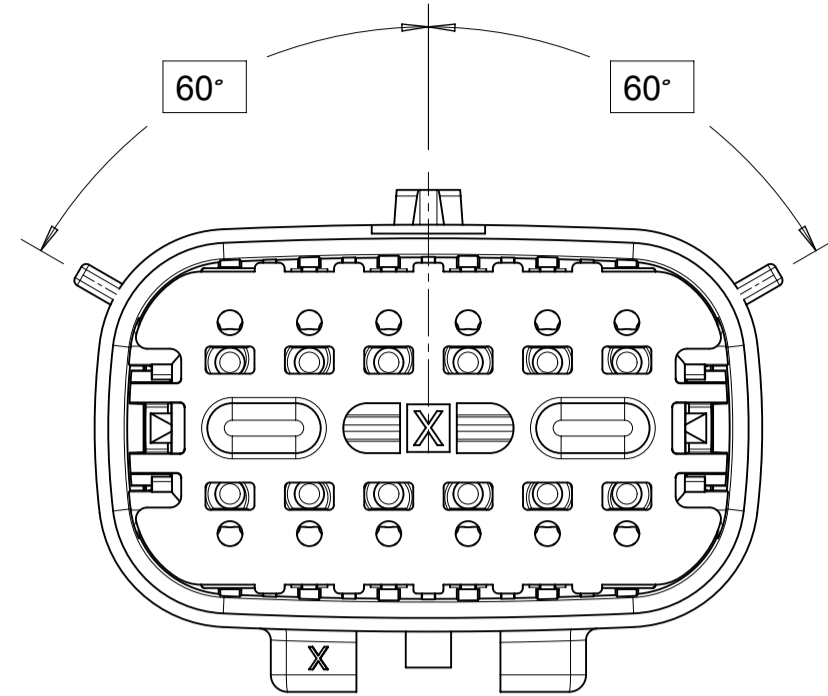
PRODUCT CUSTOMER DRAWING

DOCUMENT NUMBER	DOC TYPE	DOC PART	REVISION
SD-160011-0001	PSD	001	A5

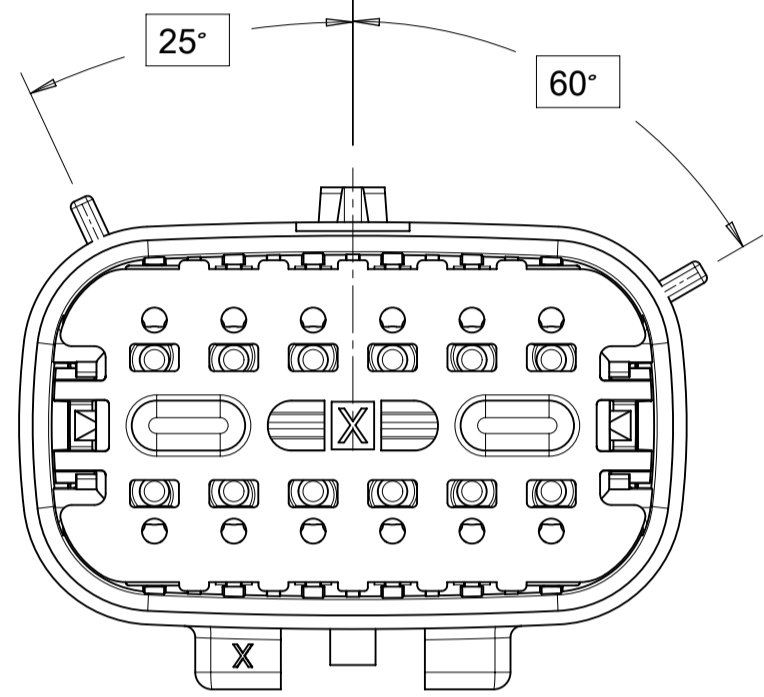
MATERIAL NUMBER	CUSTOMER	SHEET NUMBER
160011	GENERAL MARKET	3 OF 11

SHEET DESCRIPTION
KEY CONFIGURATIONS CONT.

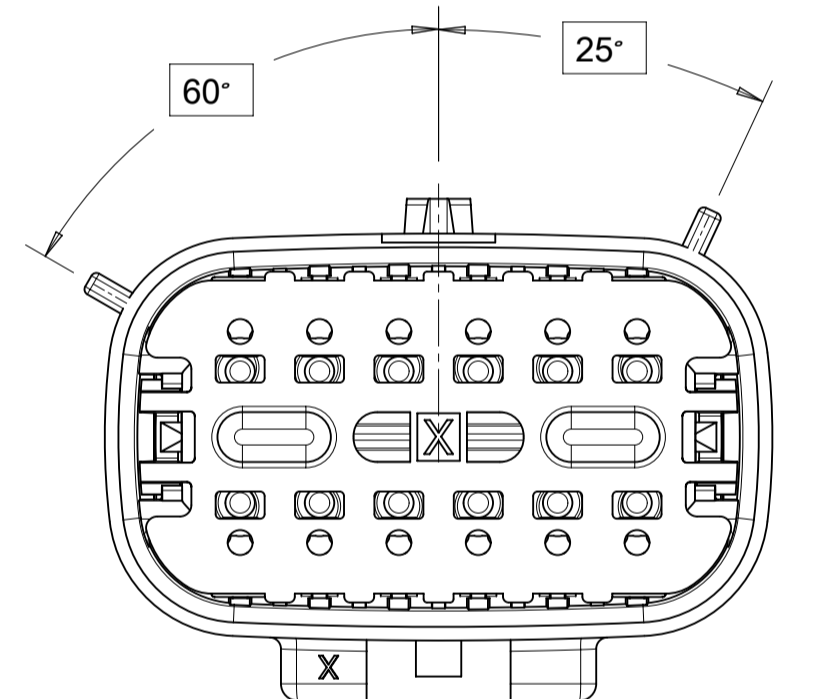
2X6



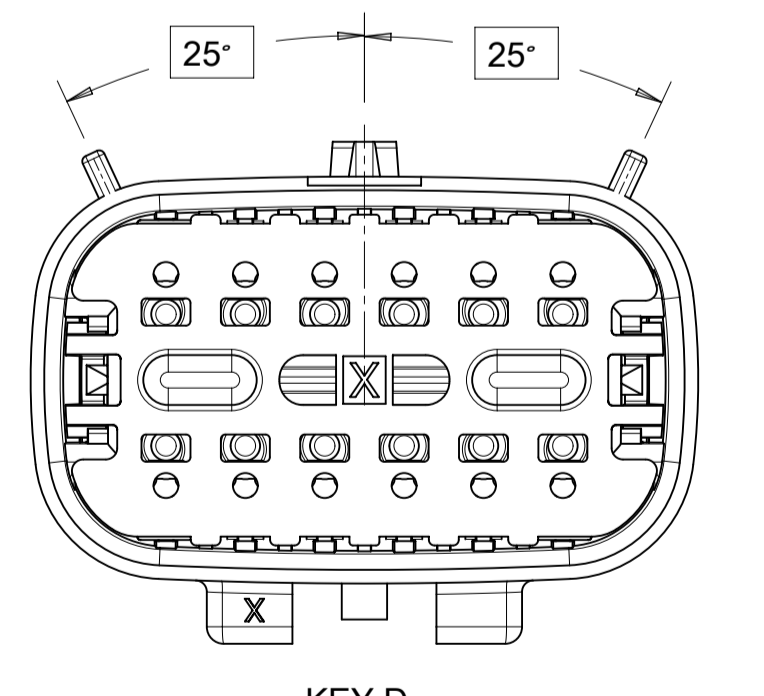
KEY A



KEY B

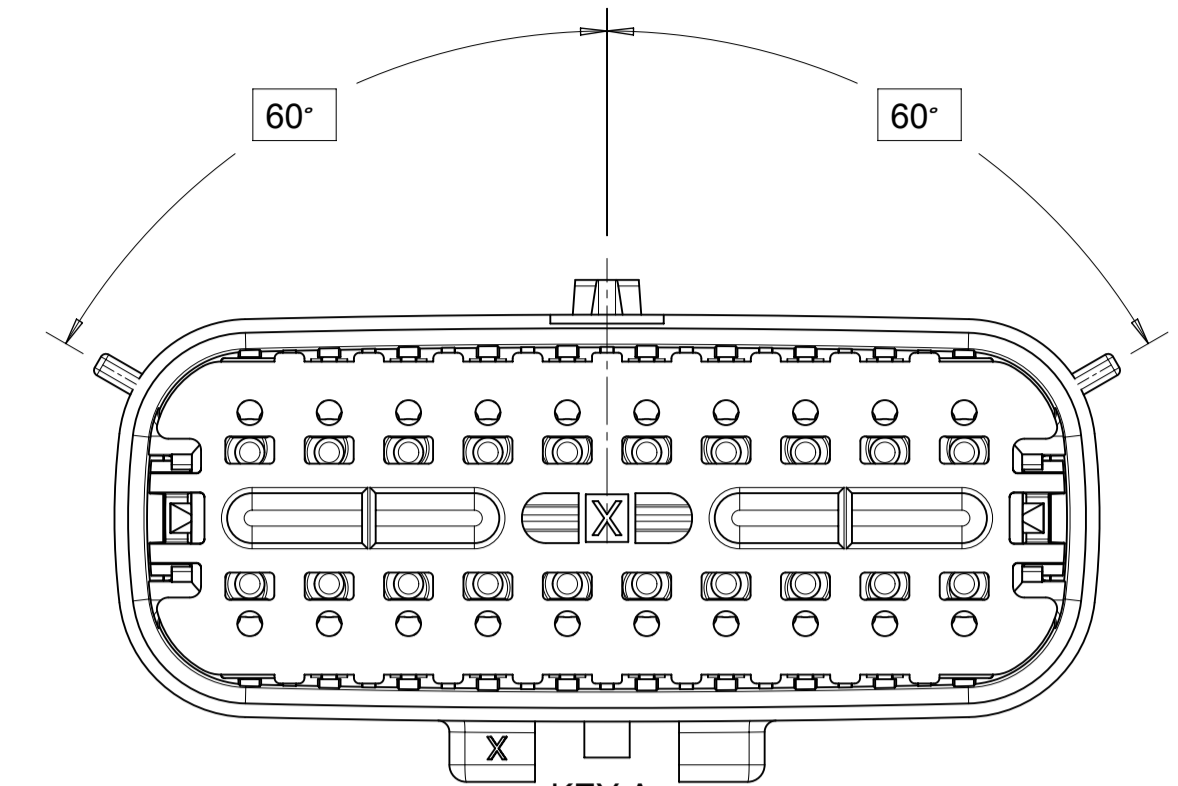


KEY C

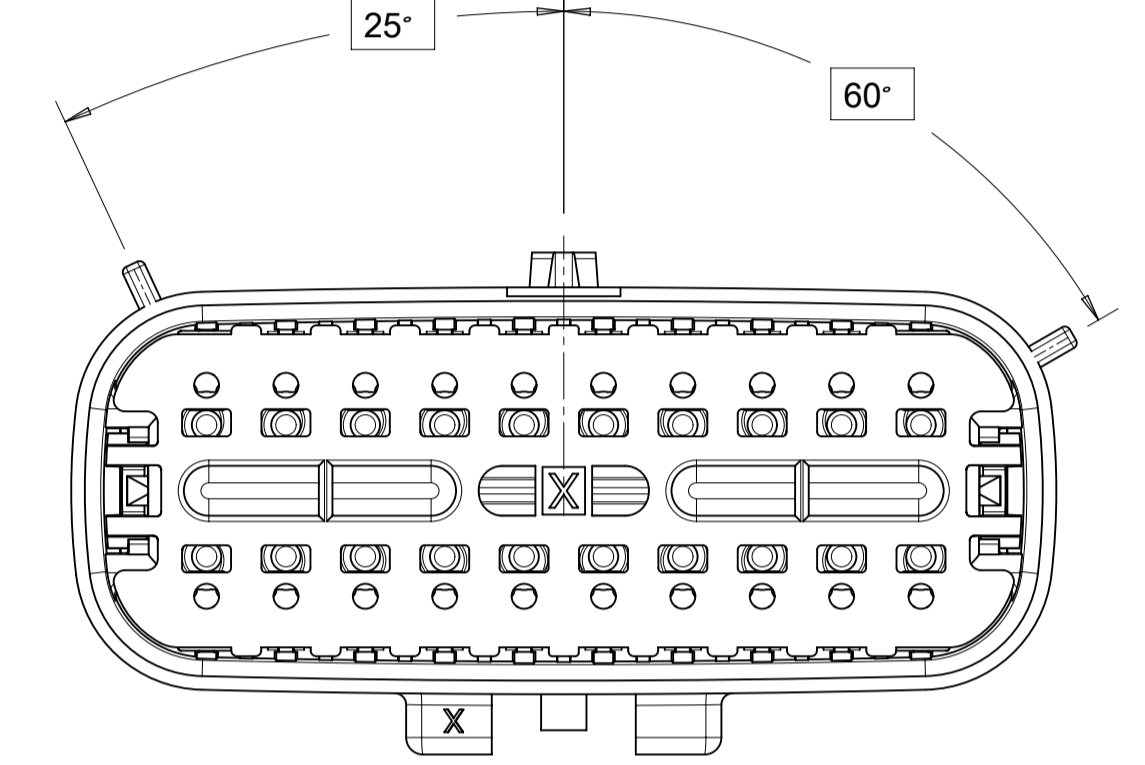


KEY D

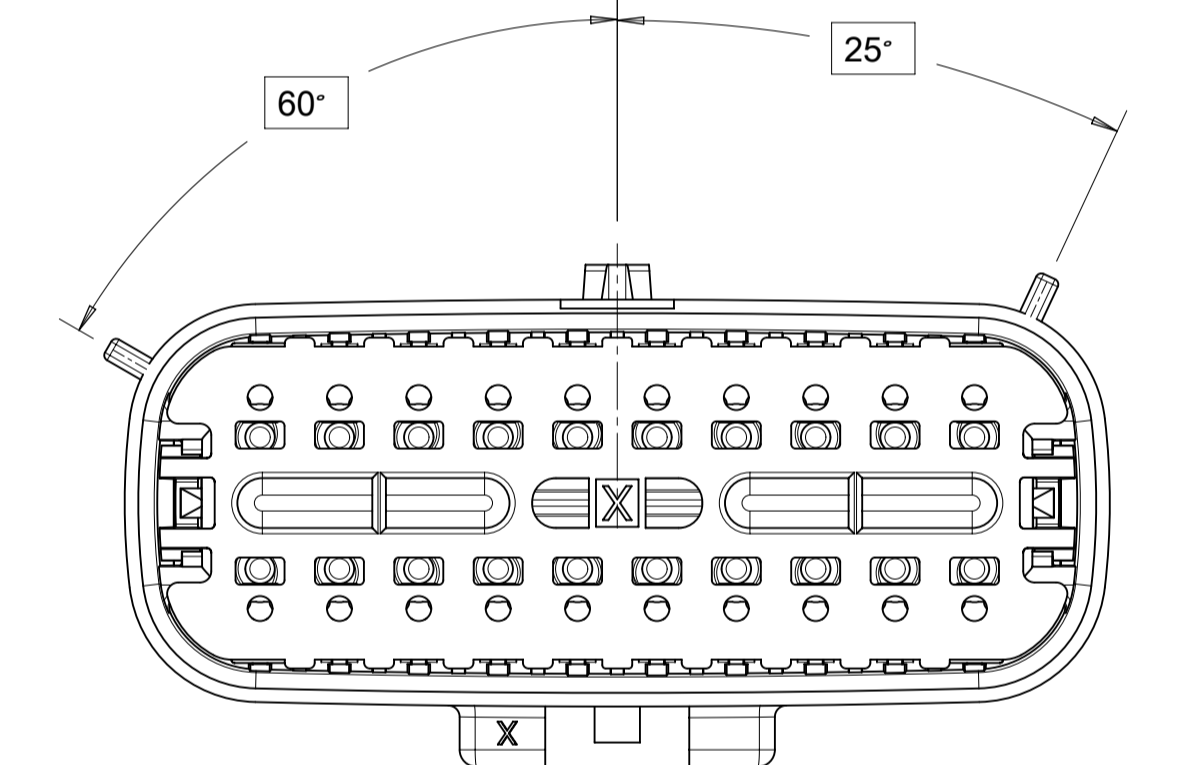
2X10



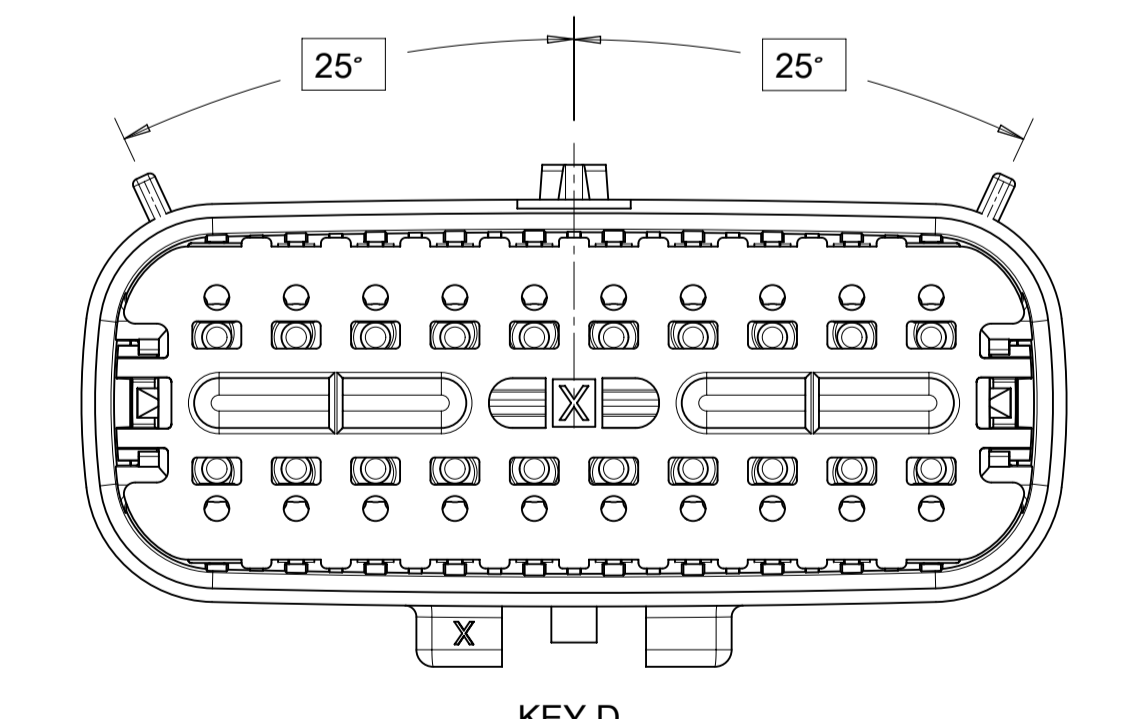
KEY A



KEY B



KEY C

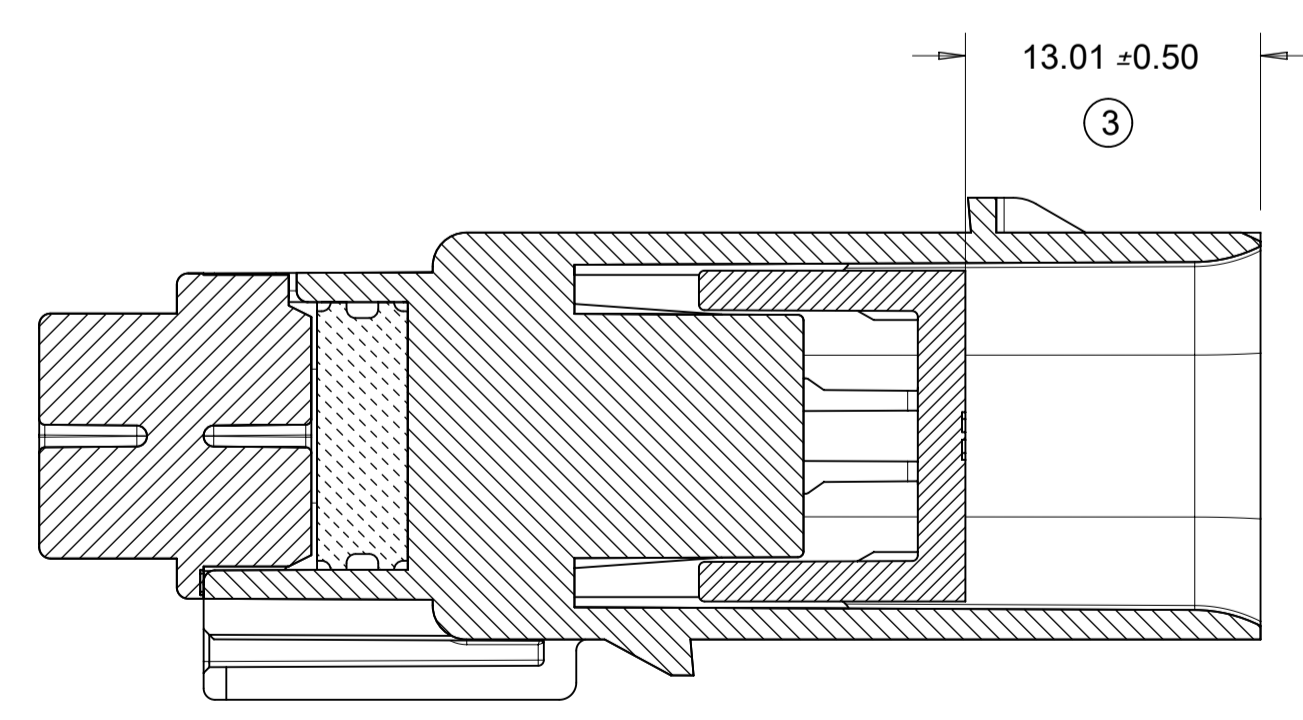
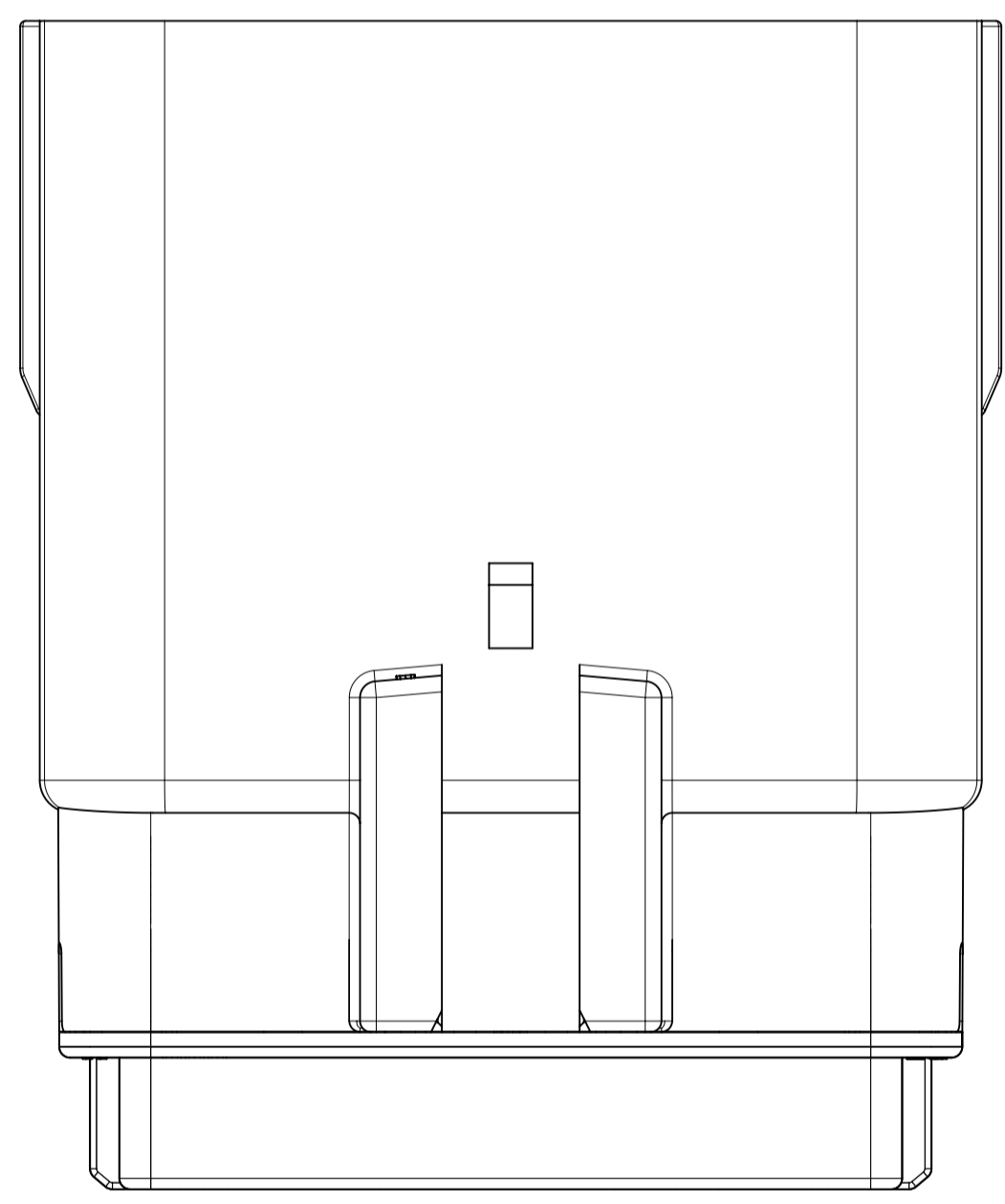
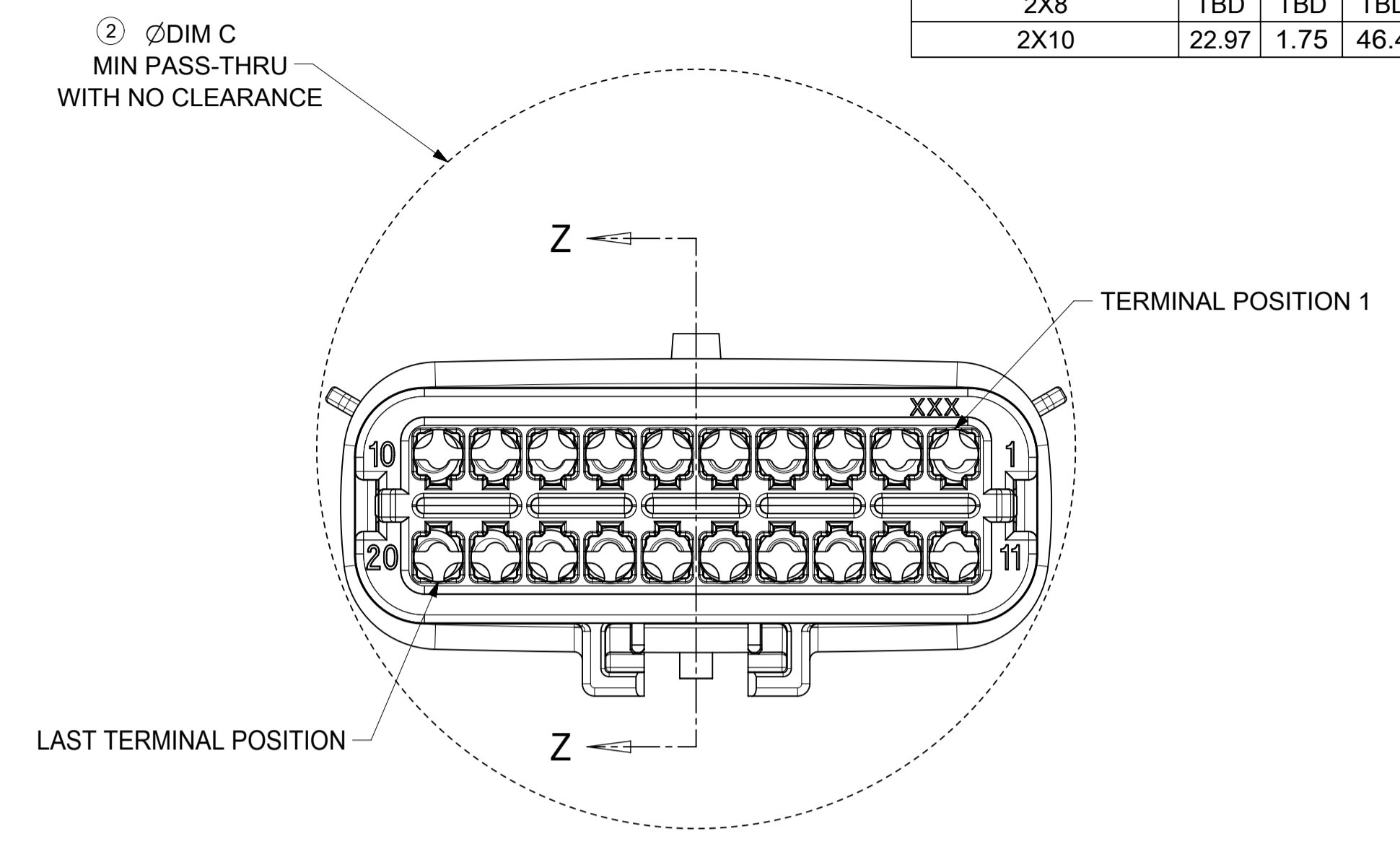
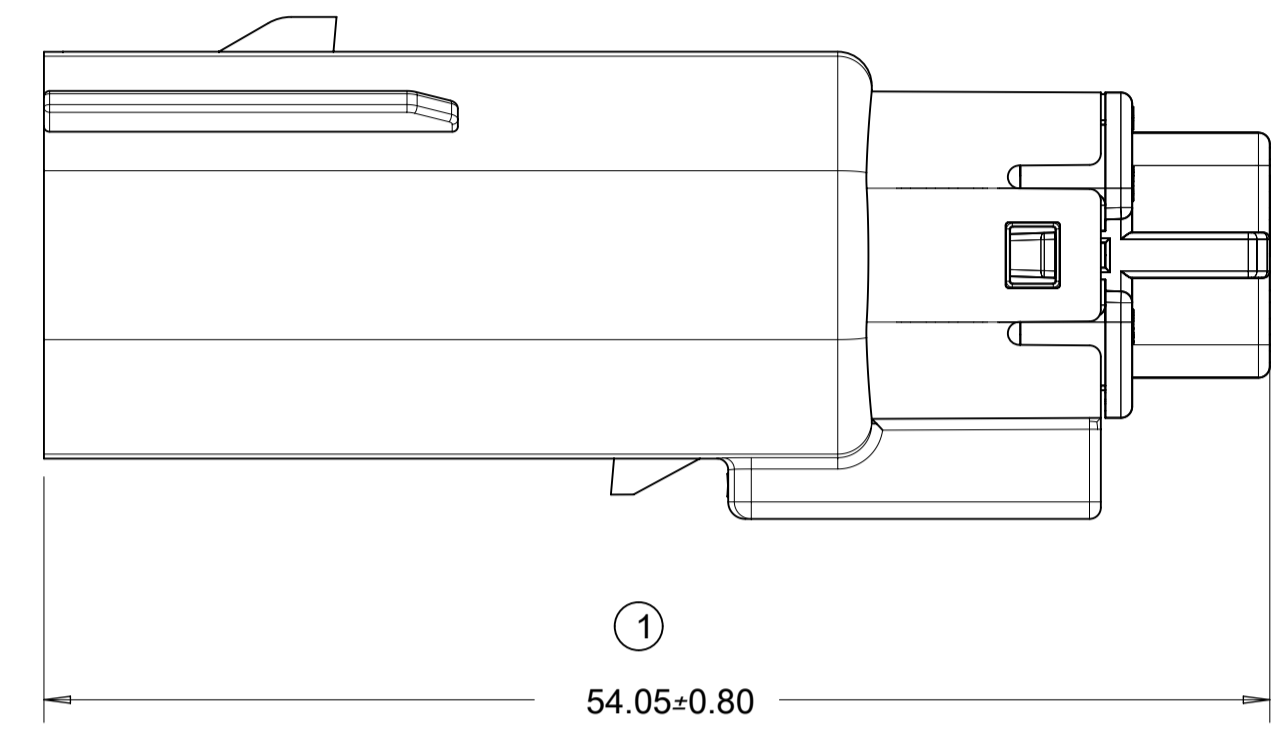
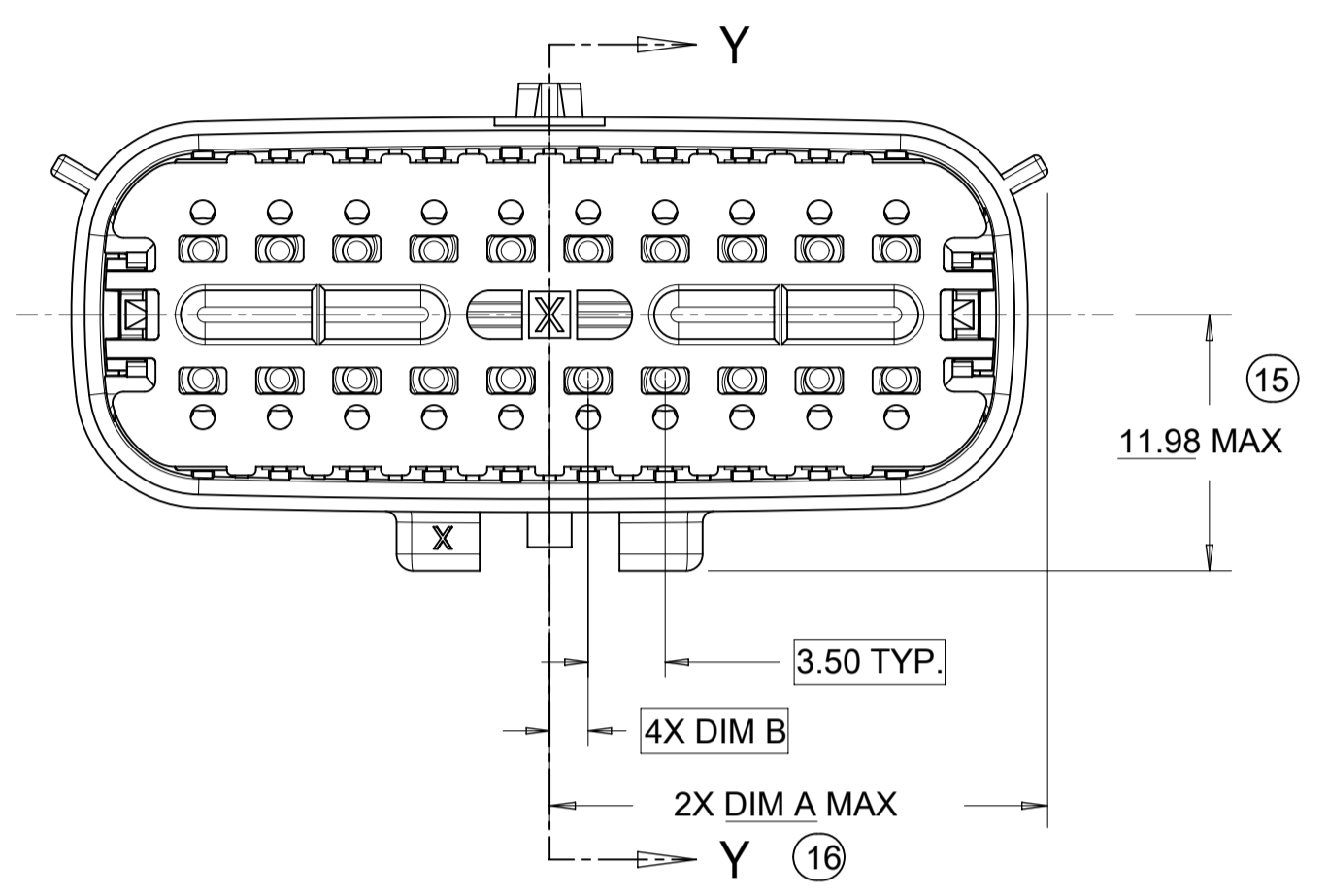
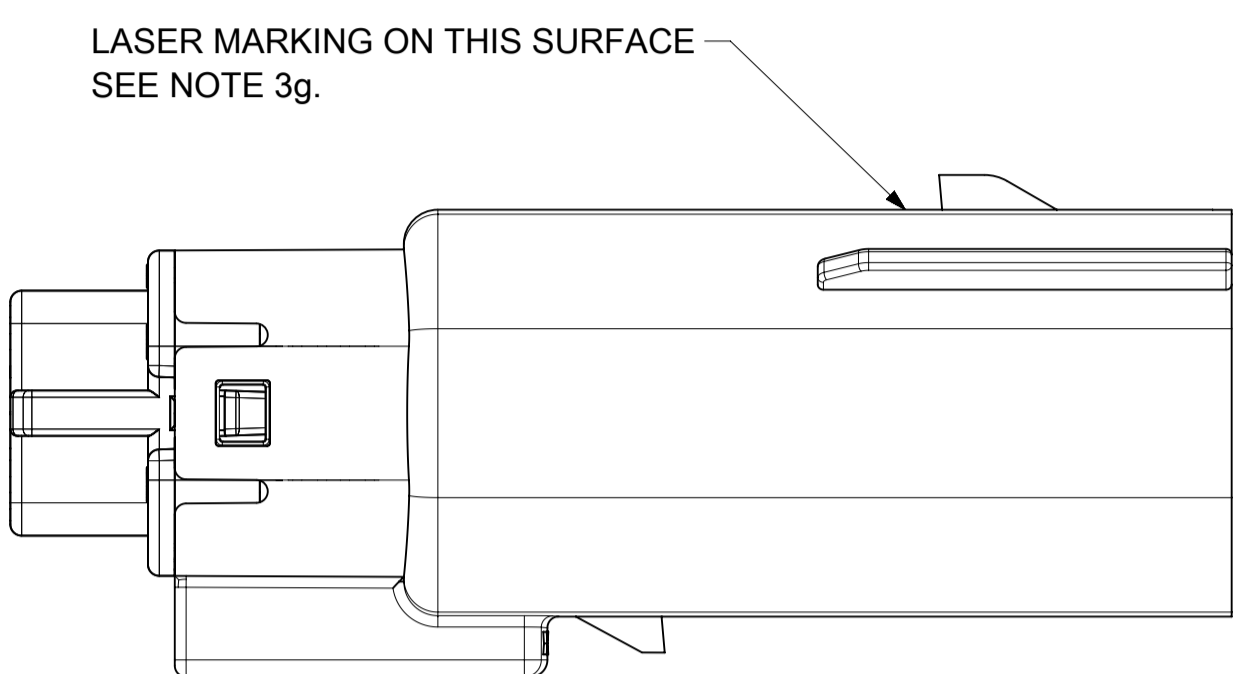


KEY D

SYMBOLS = 0 = 0 = 0 = 0 = 0 = 0 = 0 = 0 = 0 = 0	THIS DRAWING CONTAINS INFORMATION THAT IS PROPRIETARY TO MOLEX ELECTRONIC TECHNOLOGIES, LLC AND SHOULD NOT BE USED WITHOUT WRITTEN PERMISSION DIMENSION UNITS: mm SCALE: 3:1	CURRENT REV DESC: EC NO: 171650 DRWN: PMANJUNATHAC 2018/01/01 CHK'D: MVANSLAMBROU 2018/02/16 APPR: MVANSLAMBROU 2018/02/16	 MX150 GEN 2 BLADE DUAL ROW SEALED ASSEMBLY MAT SEAL		
	GENERAL TOLERANCES (UNLESS SPECIFIED) ANGULAR TOL ± 3.0° 4 PLACES ± 3 PLACES ± 2 PLACES ± 0.1 1 PLACE ± 0.2 0 PLACES ±	INITIAL REVISION: DRWN: KBORUSZEWSKI 2014/02/19 APPR: VKOSHY 2014/03/05			
DRAFT WHERE APPLICABLE MUST REMAIN WITHIN DIMENSIONS	THIRD ANGLE PROJECTION 	DRAWING: A1-SIZE SERIES: 160011	MATERIAL NUMBER CUSTOMER: GENERAL MARKET	SHEET NUMBER 4 OF 11	

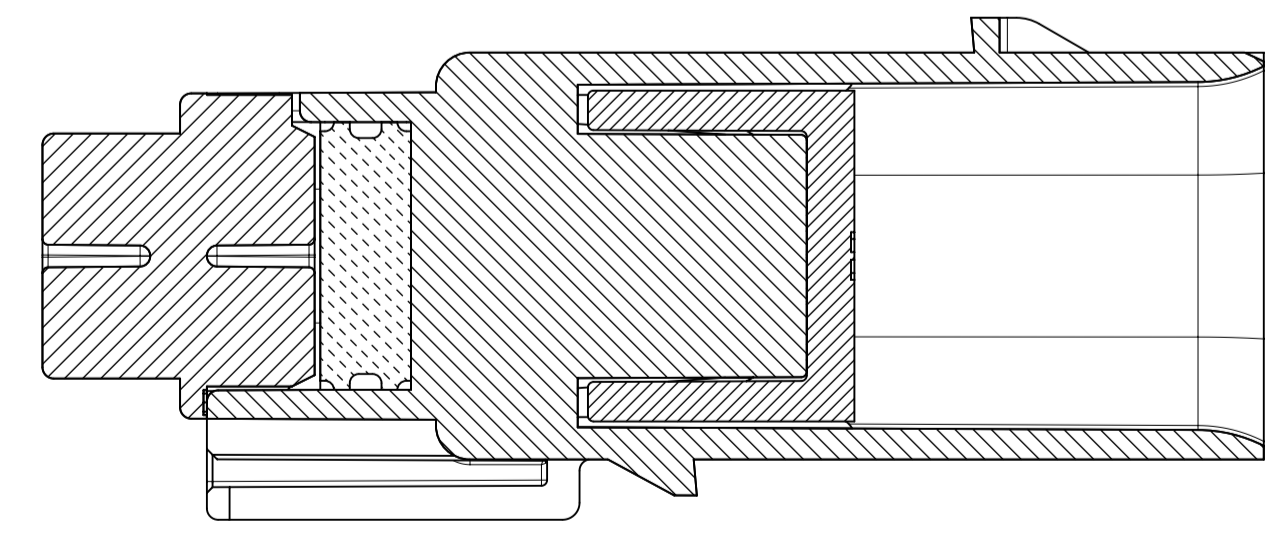
SHEET DESCRIPTION	
BLADE CONNECTOR ASSEMBLY	

DESCRIPTION	DIMENSIONS		
	A	B	C
2X2	TBD	TBD	TBD
2X3	TBD	TBD	TBD
2X4	12.46	1.75	27.9
2X6	15.96	1.75	32.7
2X8	TBD	TBD	TBD
2X10	22.97	1.75	46.4



PRIMARY LOCK REINFORCER (PLR) SHOWN
IN PRE-STAGE POSITION

SECTION Z-Z



PRIMARY LOCK REINFORCER (PLR) SHOWN
IN FINAL-LOCK POSITION

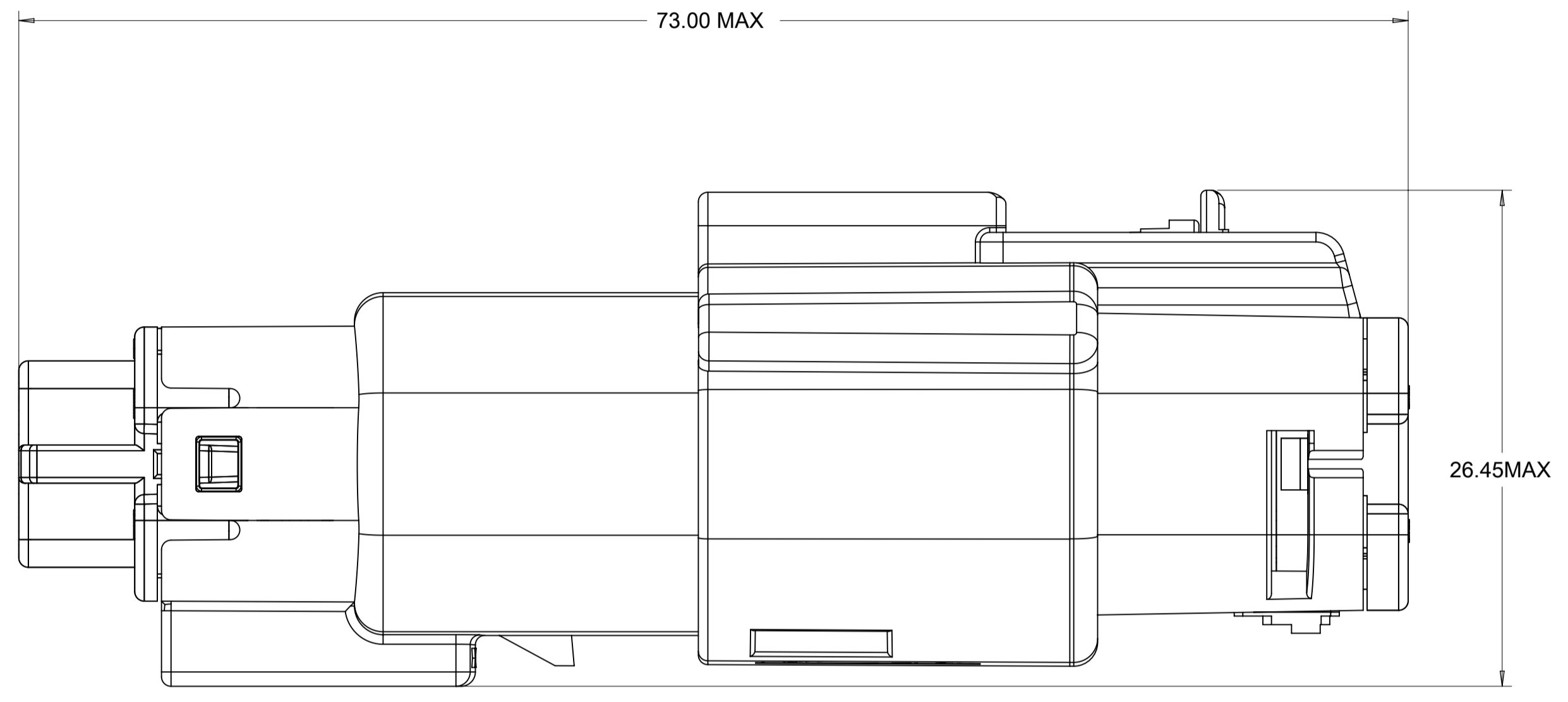
SECTION Y-Y

SYMBOLS = 0 = 0 = 0 = 0 = 0 = 0 = 0 = 0 = 0 = 0	THIS DRAWING CONTAINS INFORMATION THAT IS PROPRIETARY TO MOLEX ELECTRONIC TECHNOLOGIES, LLC AND SHOULD NOT BE USED WITHOUT WRITTEN PERMISSION		CURRENT REV DESC:		 MX150 GEN 2 BLADE DUAL ROW SEALED ASSEMBLY MAT SEAL	
	DIMENSION UNITS	SCALE	EC NO: 171650			DOCUMENT NUMBER
	mm	3:1	DRWN: PMANJUNATHAC 2018/01/01			DOC TYPE DOC PART REVISION
	GENERAL TOLERANCES (UNLESS SPECIFIED)		CHK'D: MVANSLAMBROU 2018/02/16		SD-160011-0001	
	ANGULAR TOL ± 3.0°		APPR: MVANSLAMBROU 2018/02/16			
	4 PLACES ±		INITIAL REVISION:		GENERAL MARKET	
	3 PLACES ±		DRWN: KBORUSZEWSKI 2014/02/19			SHEET NUMBER
	2 PLACES ± 0.1		APPR: VKOSHY 2014/03/05		5 OF 11	
	1 PLACE ± 0.2		THIRD ANGLE PROJECTION			
	0 PLACES ±		DRAWING			
DRAFT WHERE APPLICABLE MUST REMAIN WITHIN DIMENSIONS		SERIES				
		A1-SIZE 160011				

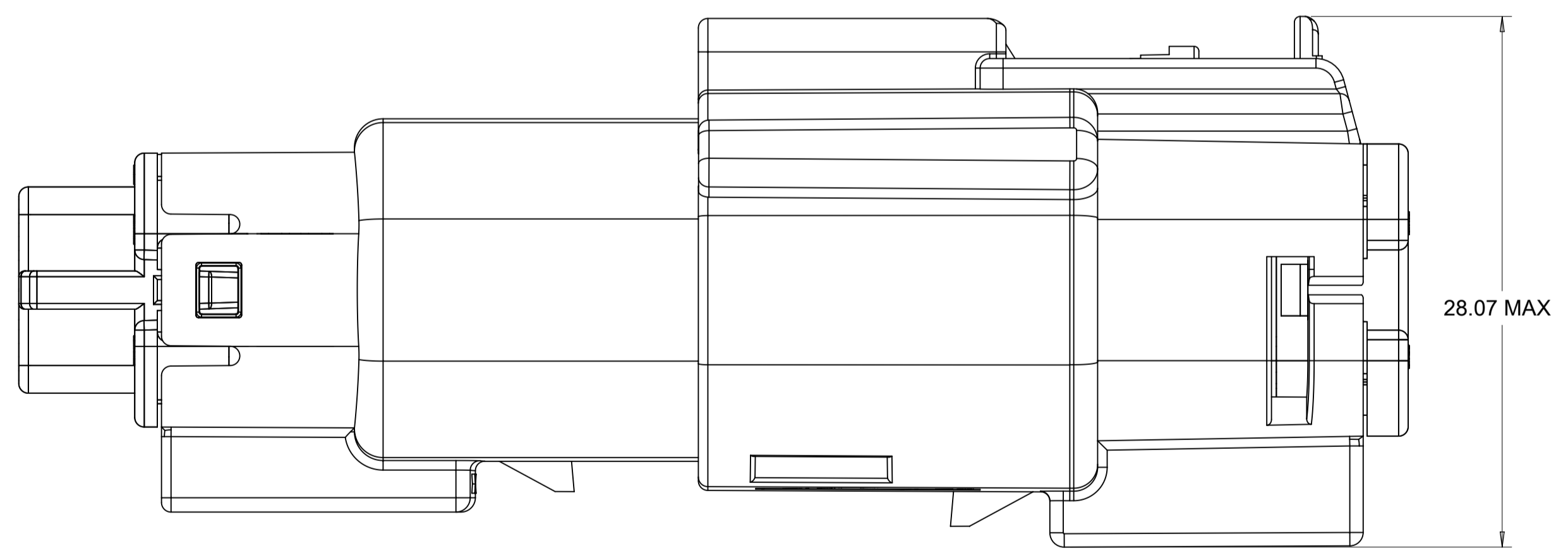
DOCUMENT STATUS	P1	RELEASE DATE	2018/02/16 22:02:24
-----------------	----	--------------	---------------------

SHEET DESCRIPTION
SYSTEM PACKAGING

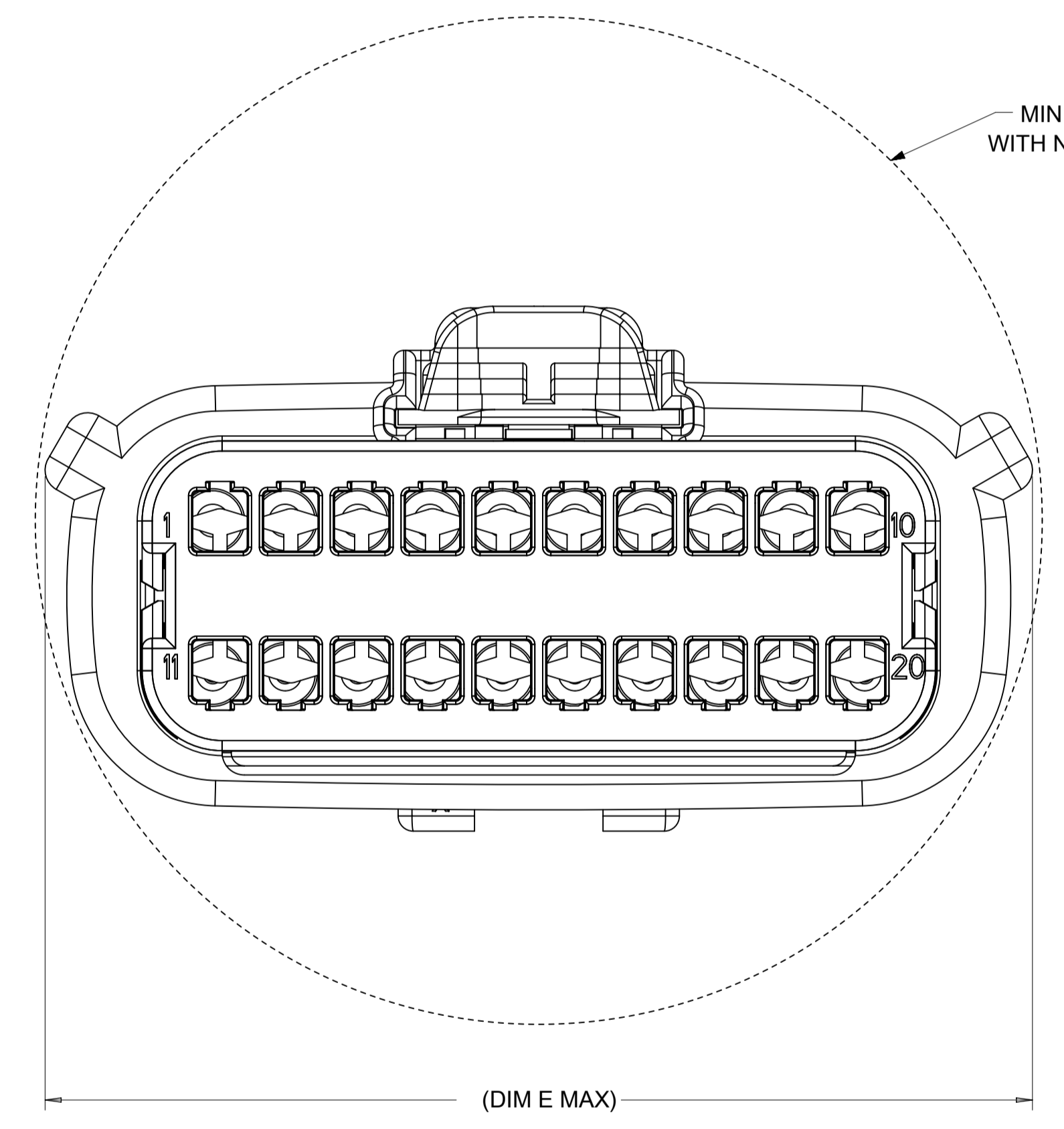
CHARTED DIMENSION				
CKT	BLADE CONFIGURATION	RECEPTACLE CONFIGURATION	DIMENSIONS	
			D	E
2X4	STANDARD	STANDARD	30.1	28.48
		CLIPSLOT	31.1	28.48
2X6	STANDARD	STANDARD	36.3	35.5
		CLIPSLOT	36.3	35.5
2X10	STANDARD	STANDARD	49.8	49.5
		CLIPSLOT	49.8	49.5



STANDARD RECEPTACLE HOUSING



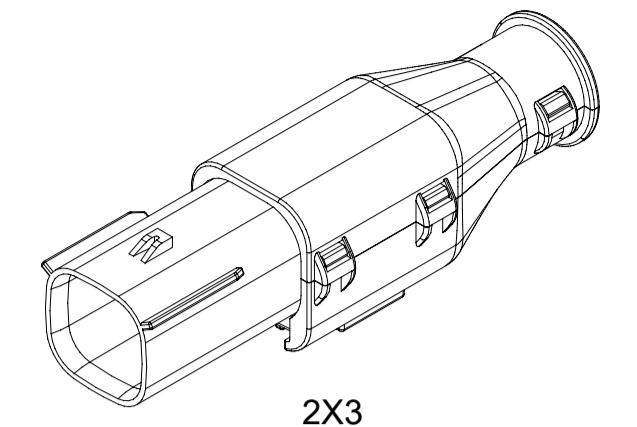
WITH CLIPSLOT RECEPTACLE HOUSING



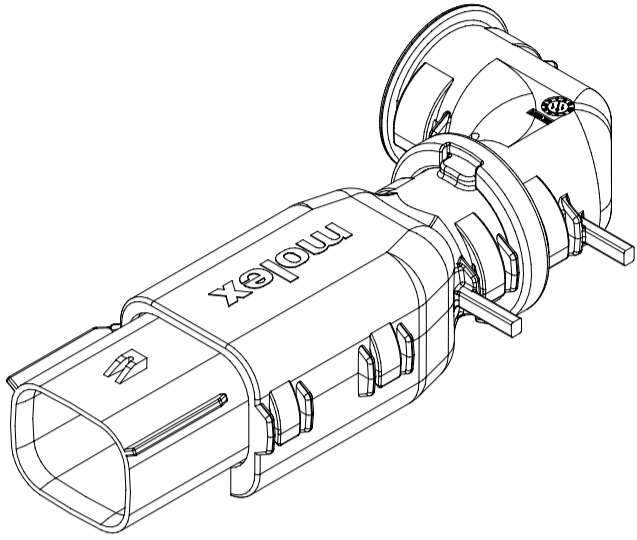
SYMBOLS = 0 = 0 = 0 = 0 = 0 = 0 = 0 = 0 = 0 = 0 = 0 = 0	THIS DRAWING CONTAINS INFORMATION THAT IS PROPRIETARY TO MOLEX ELECTRONIC TECHNOLOGIES, LLC AND SHOULD NOT BE USED WITHOUT WRITTEN PERMISSION DIMENSION UNITS: mm SCALE: 4:1 GENERAL TOLERANCES (UNLESS SPECIFIED) ANGULAR TOL ± 3.0° 4 PLACES ± 3 PLACES ± 2 PLACES ± 0.1 1 PLACE ± 0.2 0 PLACES ± DRAFT WHERE APPLICABLE MUST REMAIN WITHIN DIMENSIONS	CURRENT REV DESC: EC NO: 171650 DRWN: PMANJUNATHAC 2018/01/01 CHK'D: MVANSLAMBROU 2018/02/16 APPR: MVANSLAMBROU 2018/02/16 INITIAL REVISION: DRWN: KBORUSZEWSKI 2014/02/19 APPR: VKOSHY 2014/03/05	 MX150 GEN 2 BLADE DUAL ROW SEALED ASSEMBLY MAT SEAL PRODUCT CUSTOMER DRAWING
	DOCUMENT NUMBER: SD-160011-0001 DOC TYPE: PSD DOC PART: 001 REVISION: A5	MATERIAL NUMBER: 160011 CUSTOMER: GENERAL MARKET SHEET NUMBER: 6 OF 11	
	DOCUMENT STATUS: P1 RELEASE DATE: 2018/02/16 22:02:24	THIRD ANGLE PROJECTION DRAWING: A1-SIZE SERIES: 160011	

BACKSHELL NOTES: VALID UNLESS OTHERWISE SPECIFIED

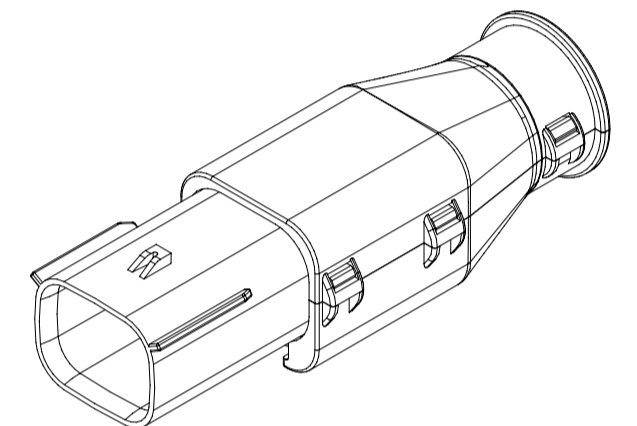
1. GENERAL:
- a. APPLICATION SPECIFICATION SEE: AS-34951-001
- DESIGNED TO MATE WITH BLADE SEALED ASSEMBLY
 - SPECIFIED IN MOLEX DRAWING SD-33482-0001
 - SYSTEM TO BE USED WITH WIRE WITHIN DIAMETER RANGE OF 1.2mm TO 2.69mm
 - COMPONENTS ARE OPTIONAL AND MUST BE PURCHASED SEPERATELY
 - DESIGN IS OWNED BY SCHLEMMER FOR SCHLEMMER BACKSHELL.
 - DESIGN IS OWNED BY MOLEX FOR MOLEX BACKSHELL.
 - 90° ADAPTOR DESIGN IS OWNED BY MOLEX.
 - FOR ADDITIONAL INFORMATION SEE THE BACKSHELL COMPONENT DRAWING SD-34950-0001



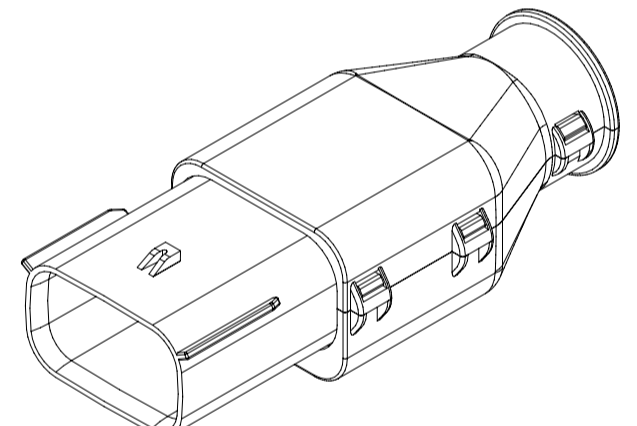
2X3



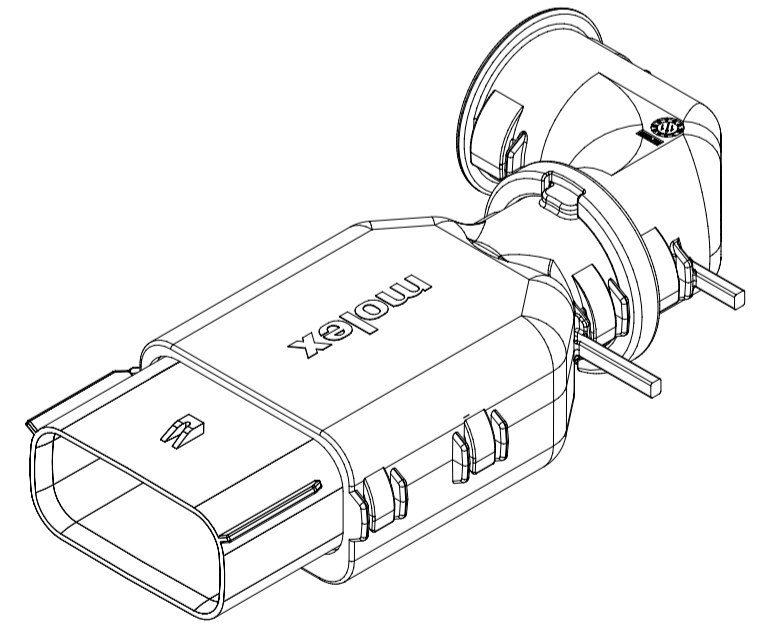
2X4



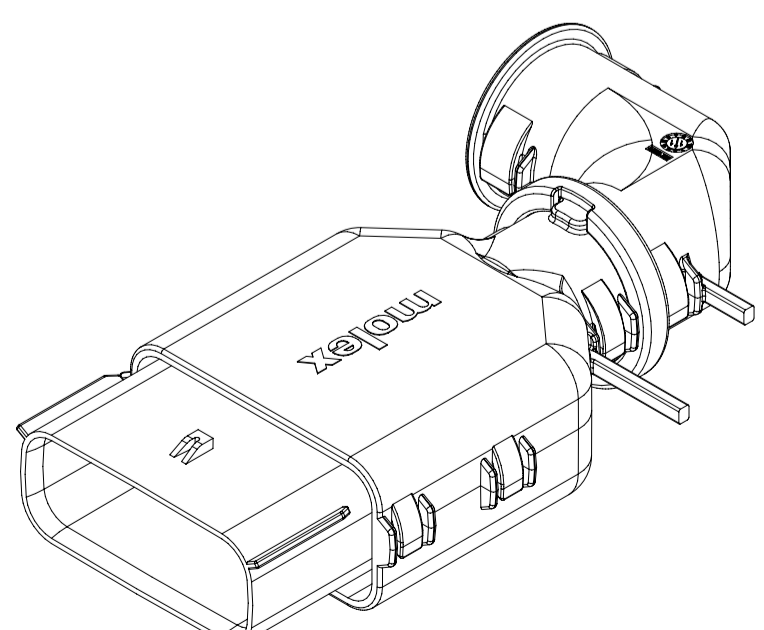
2X4



2X6



2X8



2X10

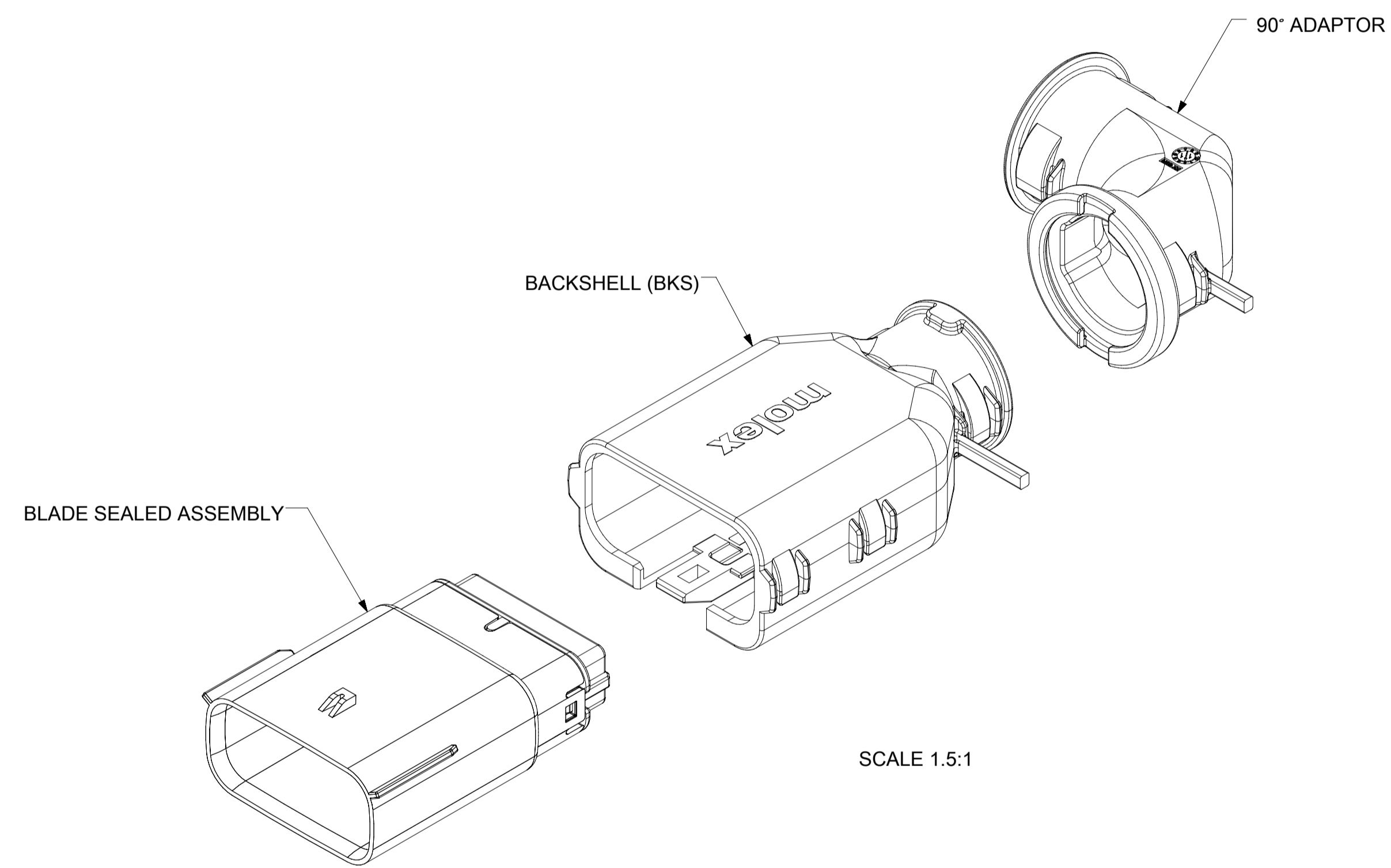
BACKSHELL CUSTOMER MODEL NUMBER LEGEND

34950-XXXX

- CUSTOMER MODEL COMPONENTS
- 0 - SCHLEMMER BACKSHELL ONLY
 - 1 - SCHLEMMER BACKSHELL & MX150 HOUSING KEY A ASSEMBLY
 - 2 - SCHLEMMER BACKSHELL & MX150 HOUSING KEY B ASSEMBLY
 - 3 - SCHLEMMER BACKSHELL & MX150 HOUSING KEY C ASSEMBLY
 - 4 - SCHLEMMER BACKSHELL & MX150 HOUSING KEY D ASSEMBLY
 - 5 - MOLEX BACKSHELL ONLY
 - 6 - MOLEX BACKSHELL & MX150 HOUSING KEY A ASSEMBLY
 - 7 - MOLEX BACKSHELL & MX150 HOUSING KEY B ASSEMBLY
 - 8 - MOLEX BACKSHELL & MX150 HOUSING KEY C ASSEMBLY
 - 9 - MOLEX BACKSHELL & MX150 HOUSING KEY D ASSEMBLY

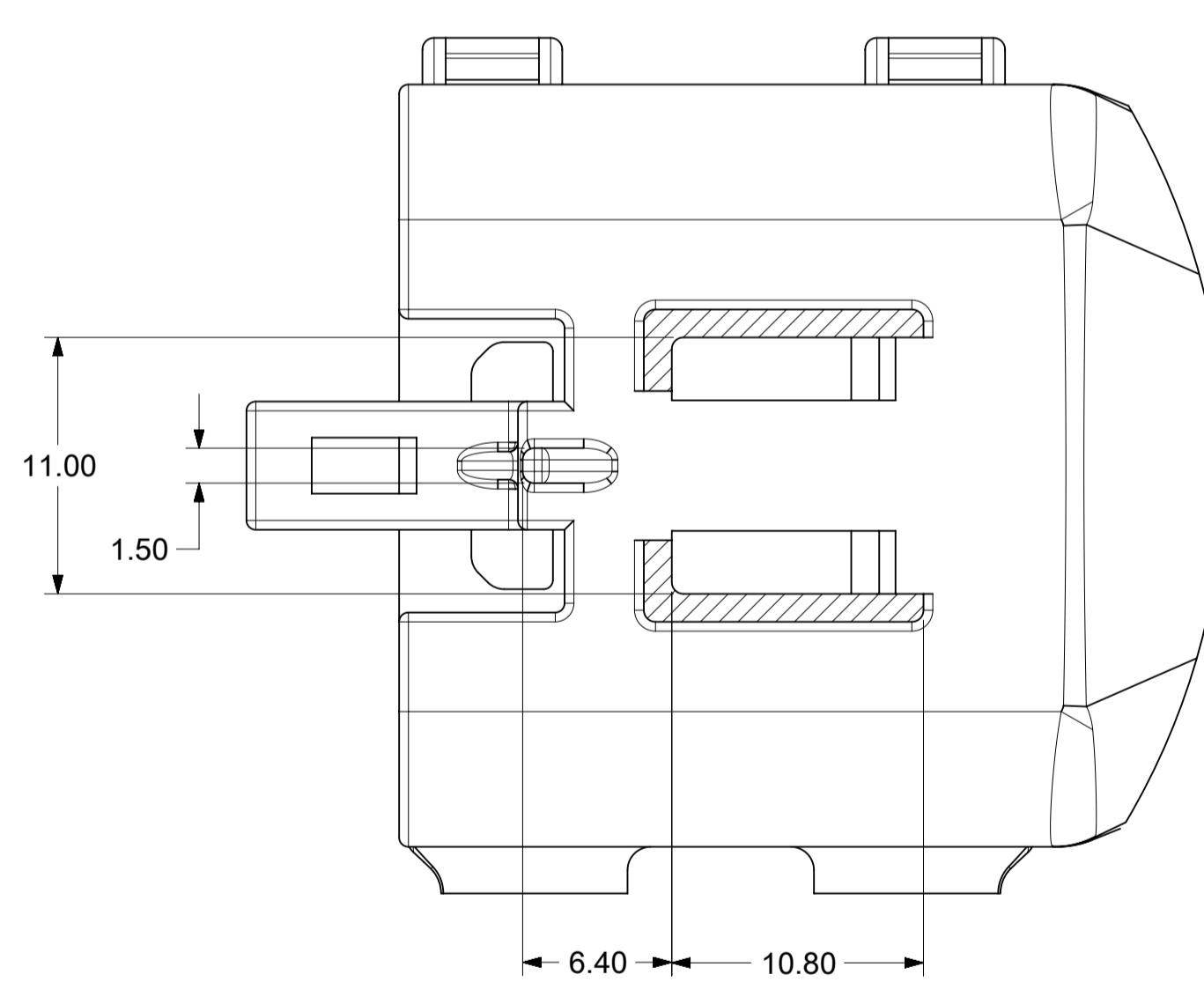
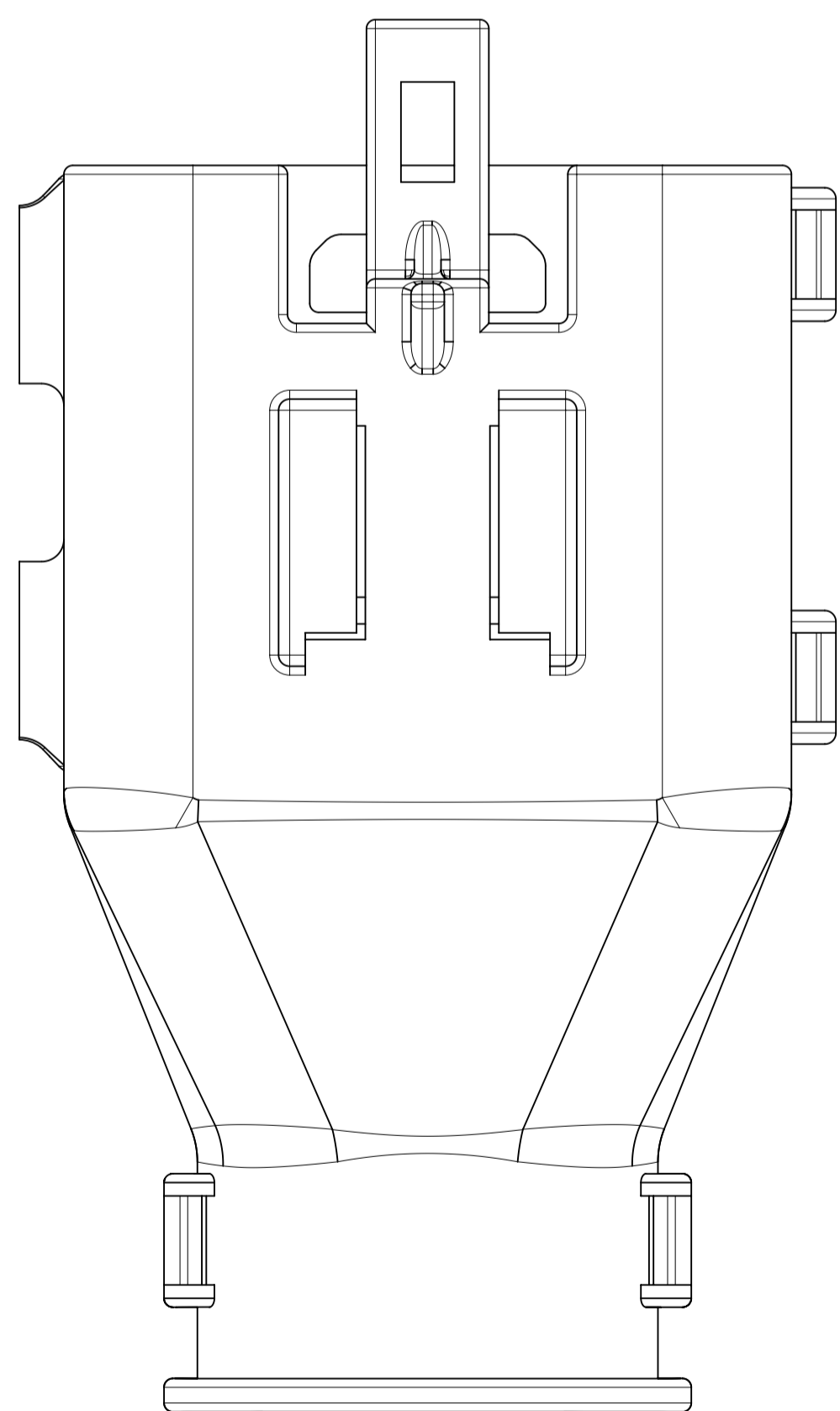
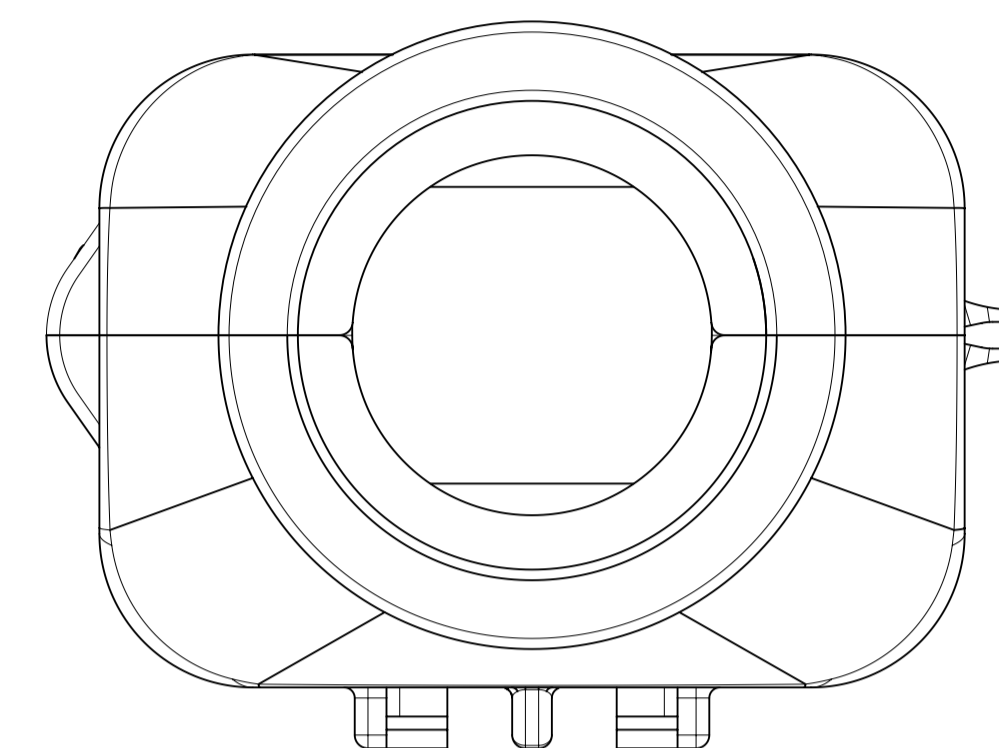
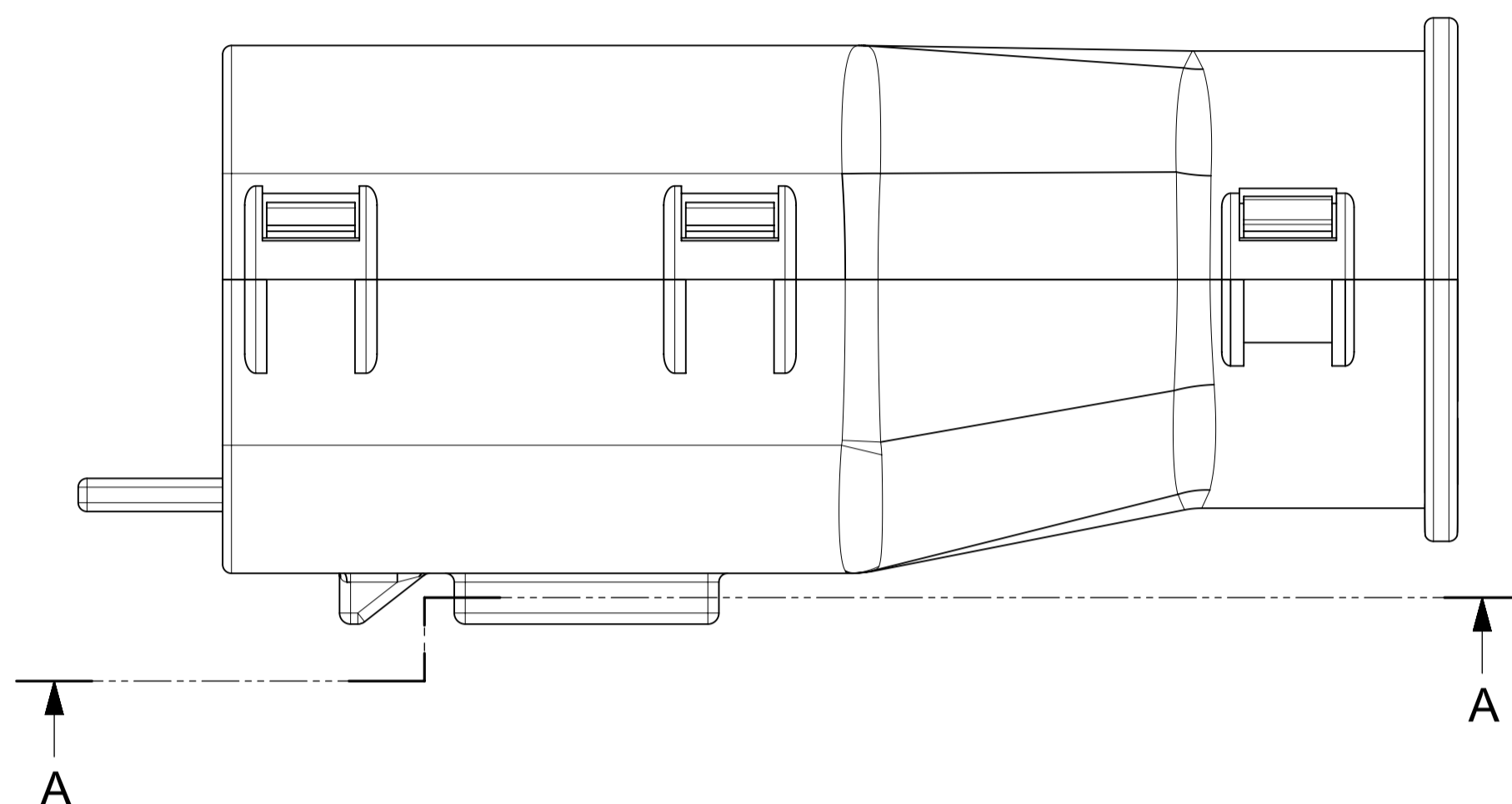
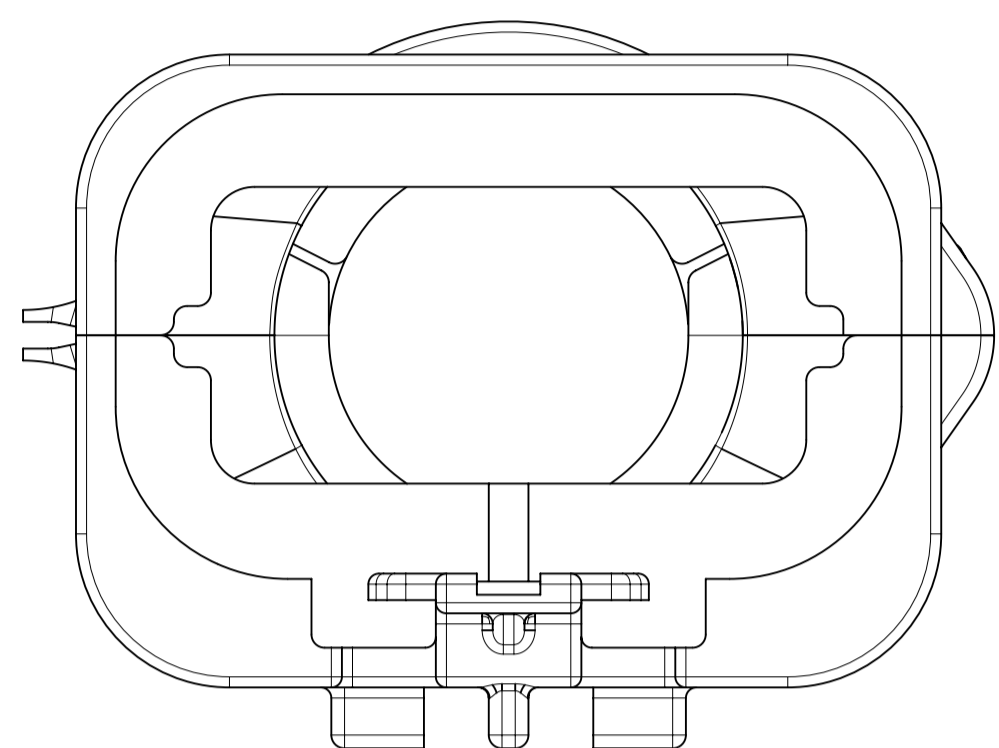
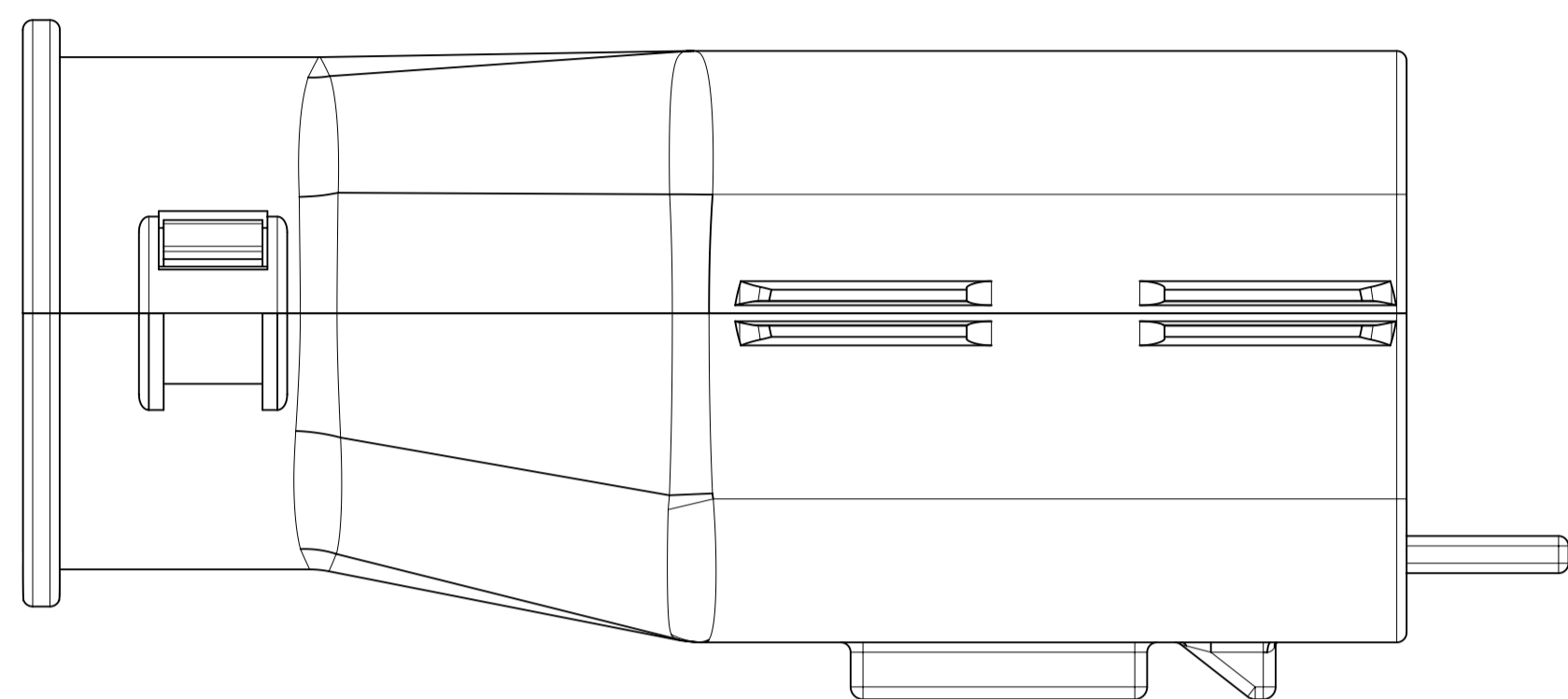
- BACKSHELL FEATURES
- 1 - WITH RIBS
 - 2 - WITHOUT RIBS
 - 3 - 90° ADAPTOR

MX150 CIRCUIT SIZE 04, 06, 08, 12, 16, 20



SYMBOLS	THIS DRAWING CONTAINS INFORMATION THAT IS PROPRIETARY TO MOLEX ELECTRONIC TECHNOLOGIES, LLC AND SHOULD NOT BE USED WITHOUT WRITTEN PERMISSION		CURRENT REV DESC:					
	DIMENSION UNITS	SCALE						EC NO: 171650
▽ = 0	mm	1.5:1	GENERAL TOLERANCES (UNLESS SPECIFIED)		CHK'D: MVANSLAMBROU 2018/02/16	CHK'D: MVANSLAMBROU 2018/02/16	CHK'D: MVANSLAMBROU 2018/02/16	
▽ = 0	ANGULAR TOL ± 3.0°		INITIAL REVISION:		APPR: MVANSLAMBROU 2018/02/16	APPR: MVANSLAMBROU 2018/02/16	APPR: MVANSLAMBROU 2018/02/16	
▽ = 0	4 PLACES	±	DRWN: KBORUSZEWSKI 2014/02/19		DRWN: KBORUSZEWSKI 2014/02/19		DRWN: KBORUSZEWSKI 2014/02/19	
▽ = 0	3 PLACES	±	APPR: VKOSHY 2014/03/05		APPR: VKOSHY 2014/03/05		APPR: VKOSHY 2014/03/05	
▽ = 0	2 PLACES	± 0.1	DRAFT WHERE APPLICABLE MUST REMAIN WITHIN DIMENSIONS		THIRD ANGLE PROJECTION		DRAWING SERIES	
▽ = 0	1 PLACE	± 0.2	A1-SIZE		160011		MATERIAL NUMBER	
▽ = 0	0 PLACES	±	GENERAL MARKET		7 OF 11		SHEET NUMBER	

SHEET DESCRIPTION
SCHLEMMER BACKSHELL

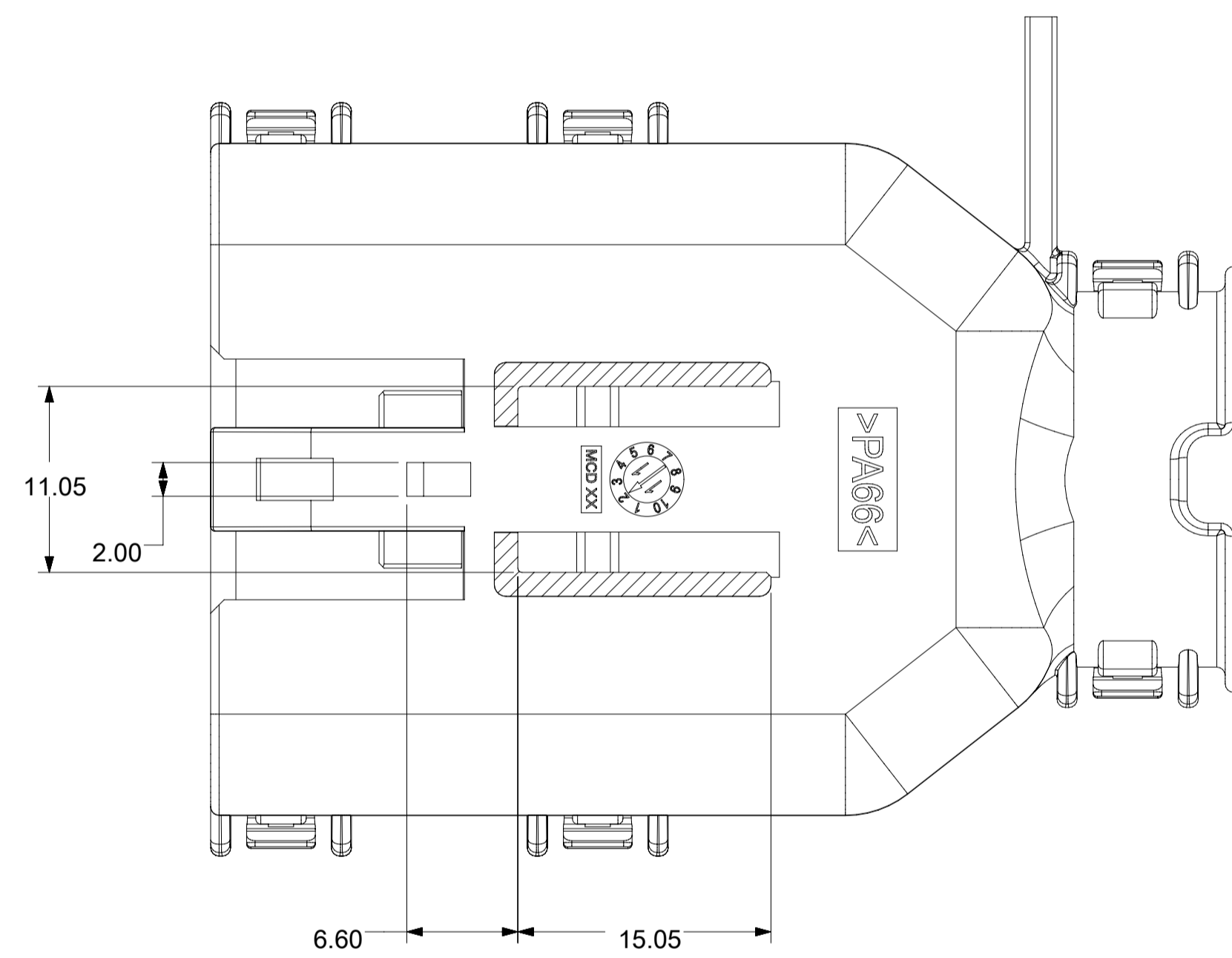
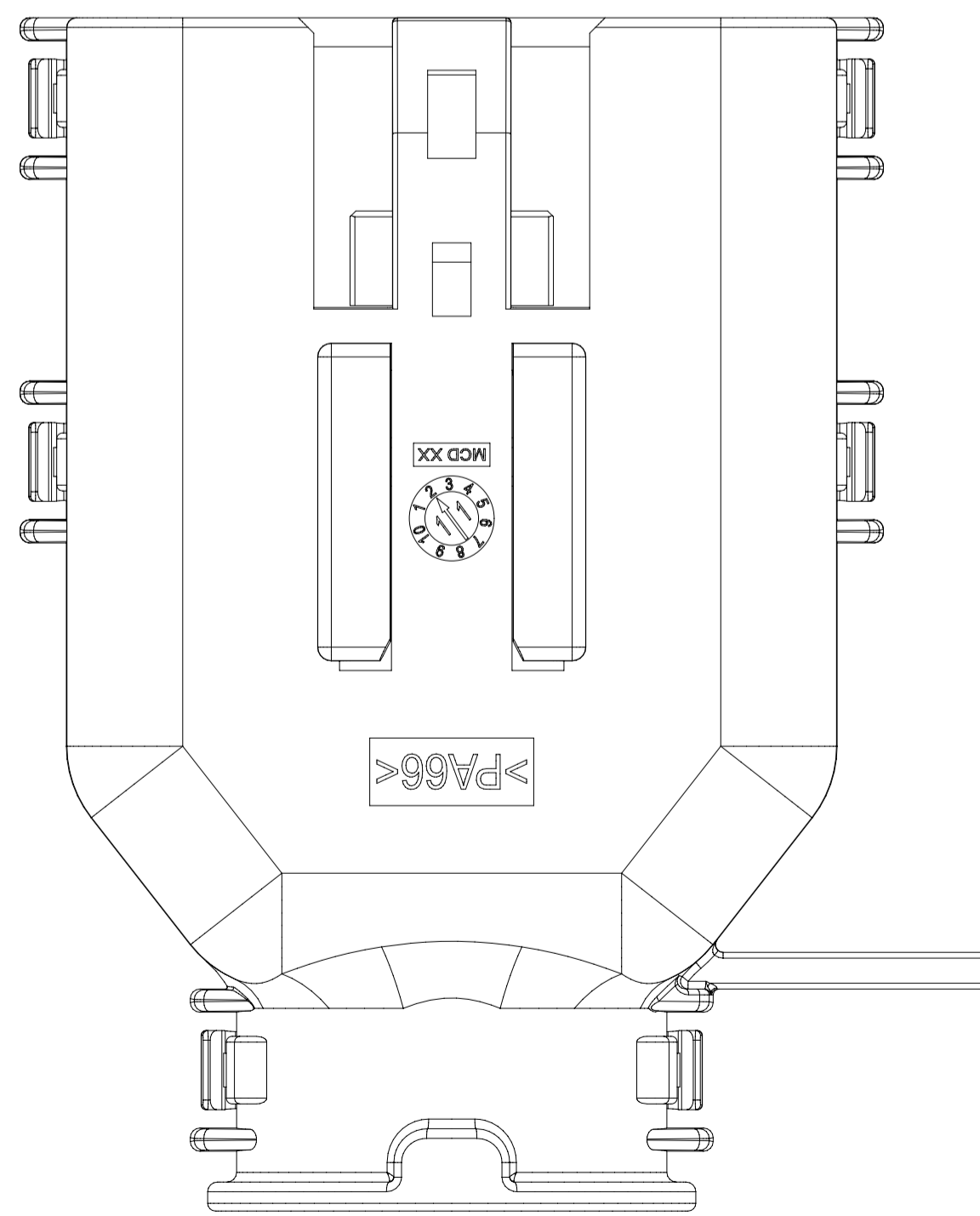
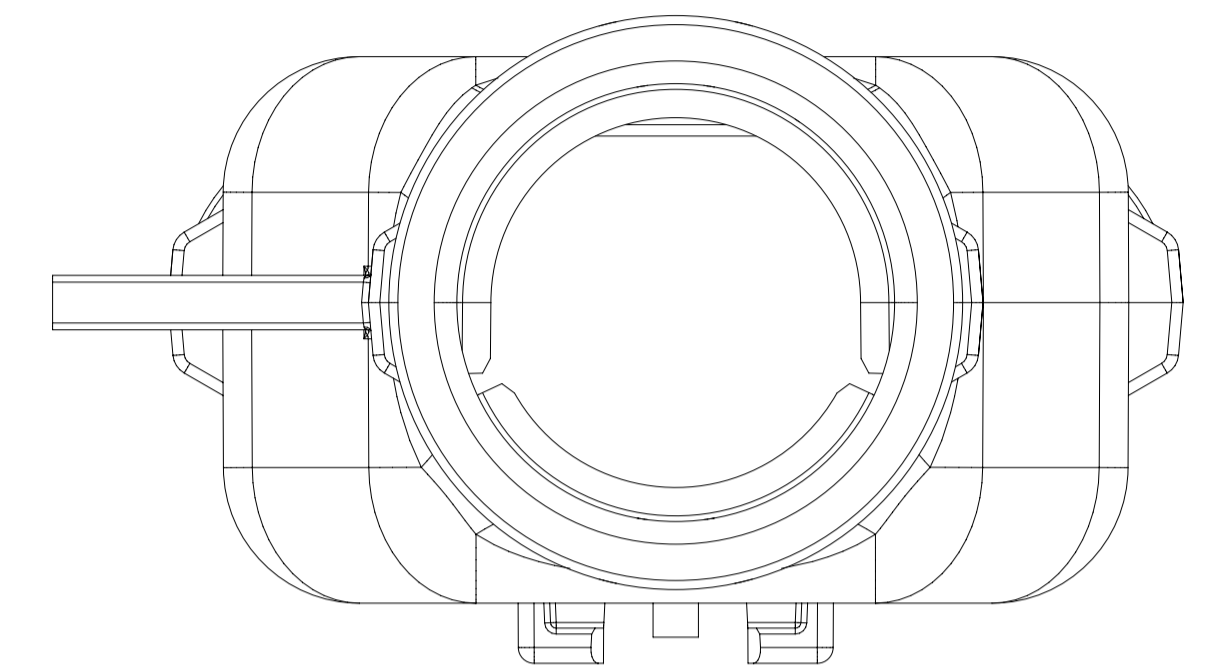
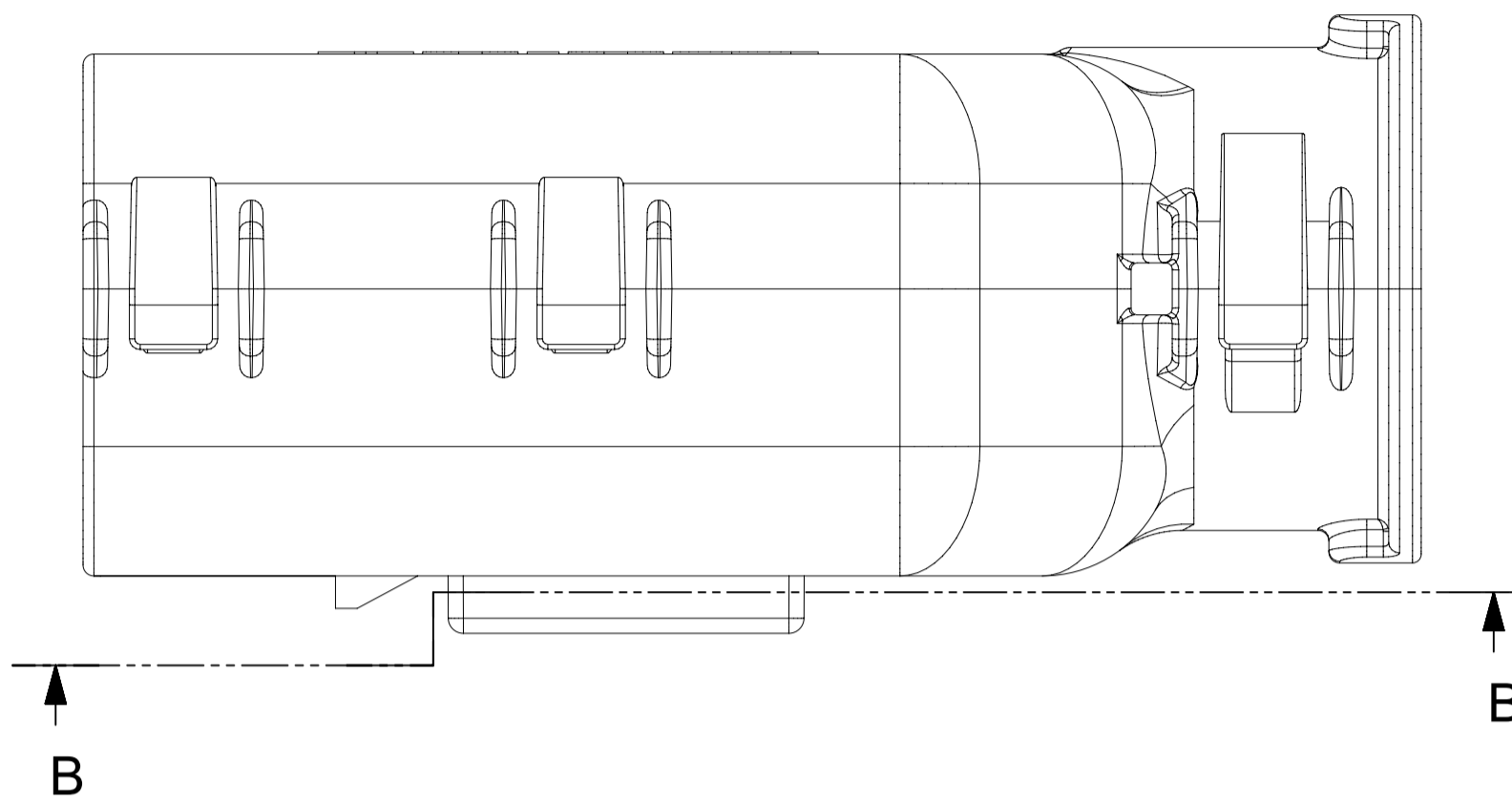
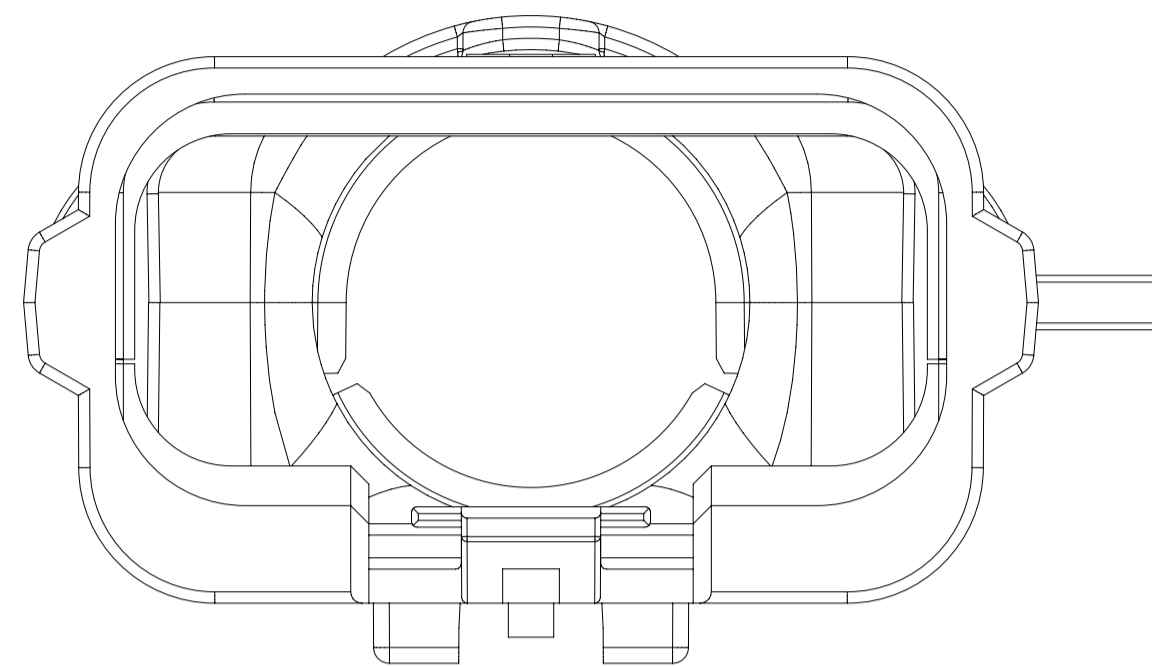
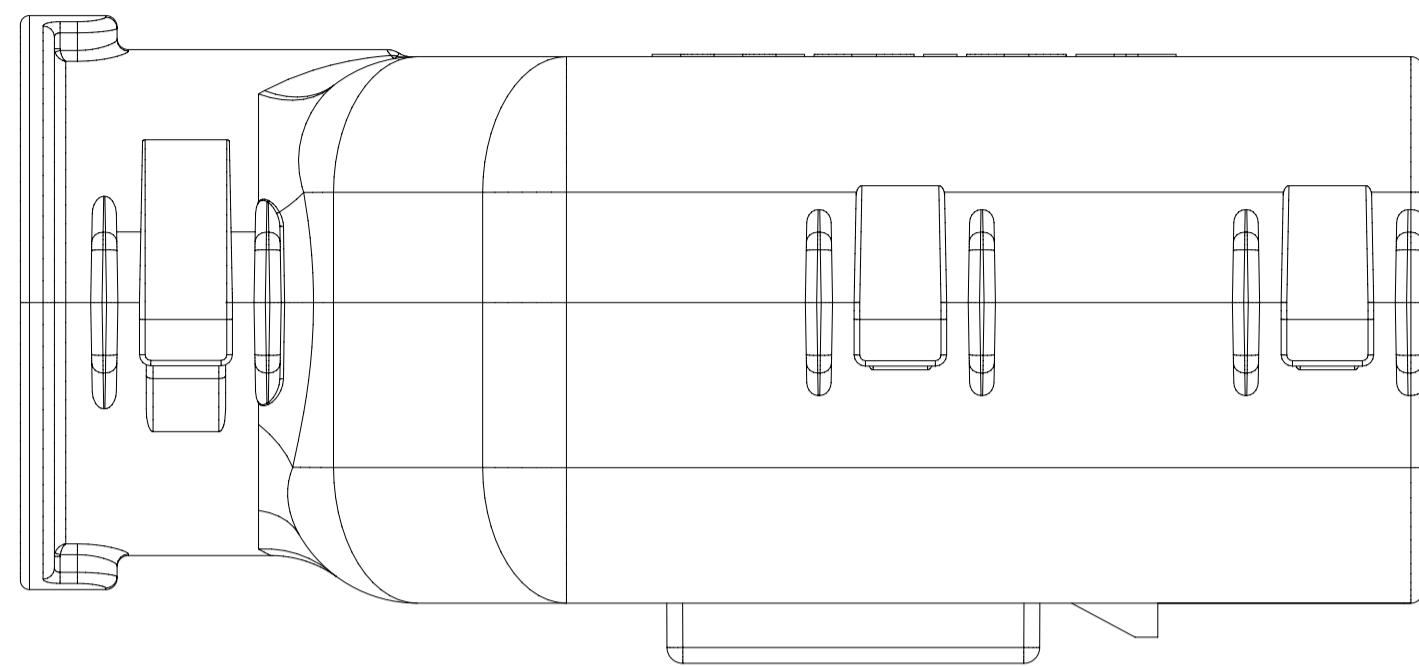


Partial A-A
SCALE 7:2

SYMBOLS	THIS DRAWING CONTAINS INFORMATION THAT IS PROPRIETARY TO MOLEX ELECTRONIC TECHNOLOGIES, LLC AND SHOULD NOT BE USED WITHOUT WRITTEN PERMISSION		<p>molex</p> <p>MX150 GEN 2 BLADE DUAL ROW SEALED ASSEMBLY MAT SEAL</p> <p>PRODUCT CUSTOMER DRAWING</p>				
▽ = 0	DIMENSION UNITS	SCALE				CURRENT REV DESC:	
▽ = 0	mm	3.5:1				EC NO: 171650	
▽ = 0	GENERAL TOLERANCES (UNLESS SPECIFIED)		DRWN: PMANJUNATHAC 2018/01/01		DOCUMENT NUMBER		
▽ = 0	ANGULAR TOL ± 3.0°		CHK'D: MVANSLAMBROU 2018/02/16		DOC TYPE DOC PART REVISION		
▽ = 0	4 PLACES ±		APPR: MVANSLAMBROU 2018/02/16		SD-160011-0001 PSD 001 A5		
▽ = 0	3 PLACES ±		INITIAL REVISION:		MATERIAL NUMBER		
▽ = 0	2 PLACES ± 0.1		DRWN: KBORUSZEWSKI 2014/02/19		CUSTOMER		
▽ = 0	1 PLACE ± 0.2		APPR: VKOSHY 2014/03/05		GENERAL MARKET		
☒ = 0	0 PLACES ±		THIRD ANGLE PROJECTION		SHEET NUMBER		
■ = 0	DRAFT WHERE APPLICABLE MUST REMAIN WITHIN DIMENSIONS		DRAWING		8 OF 11		
▽ = 0			SERIES				
			A1-SIZE				
			160011				

DOCUMENT STATUS	P1	RELEASE DATE	2018/02/16 22:02:24
-----------------	----	--------------	---------------------

SHEET DESCRIPTION
MOLEX BACKSHELL

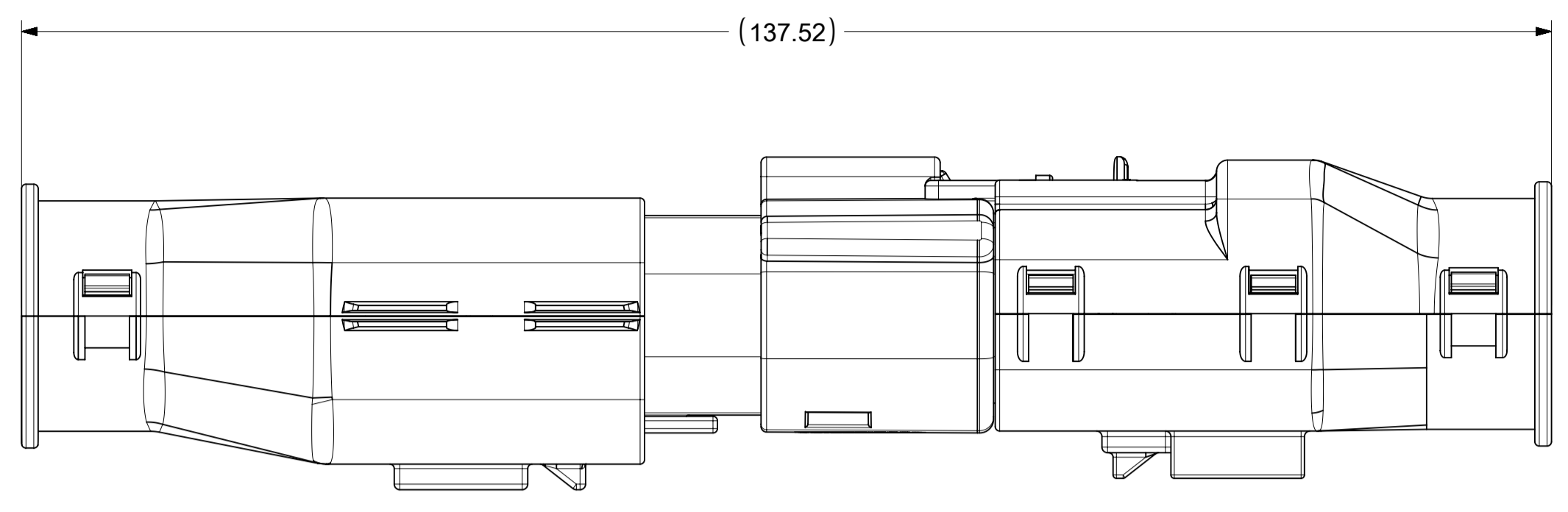


SECTION B-B

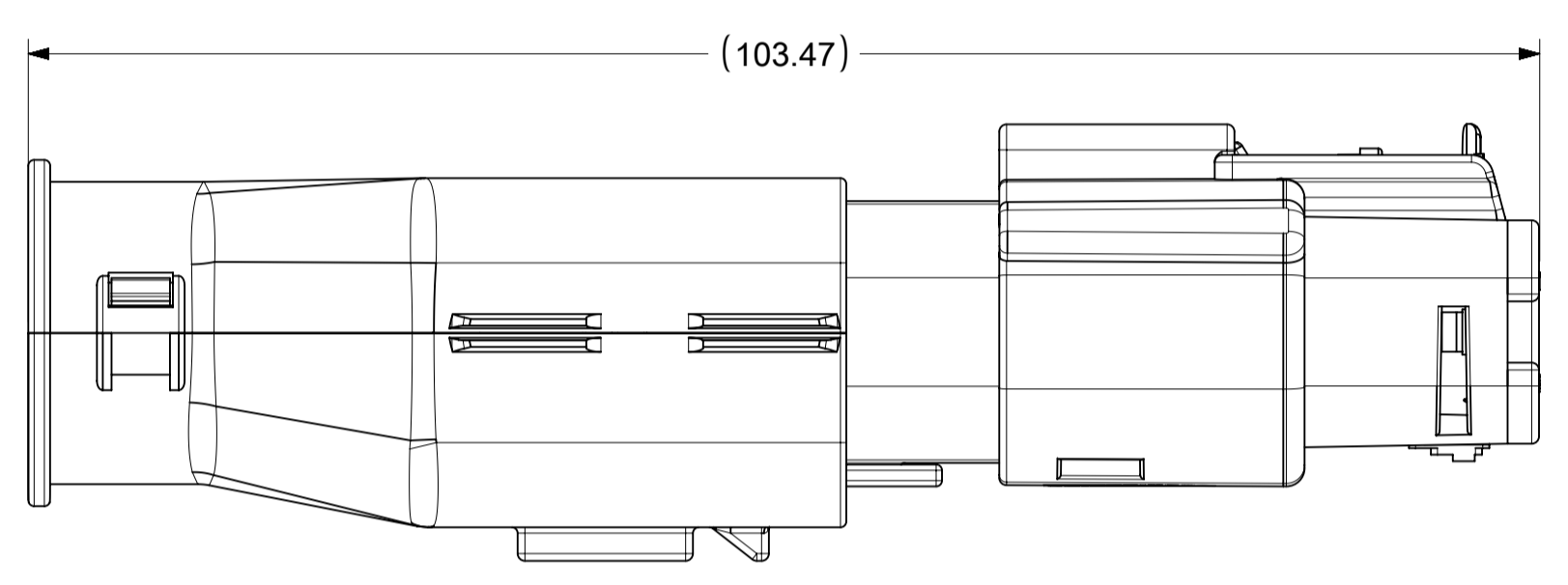
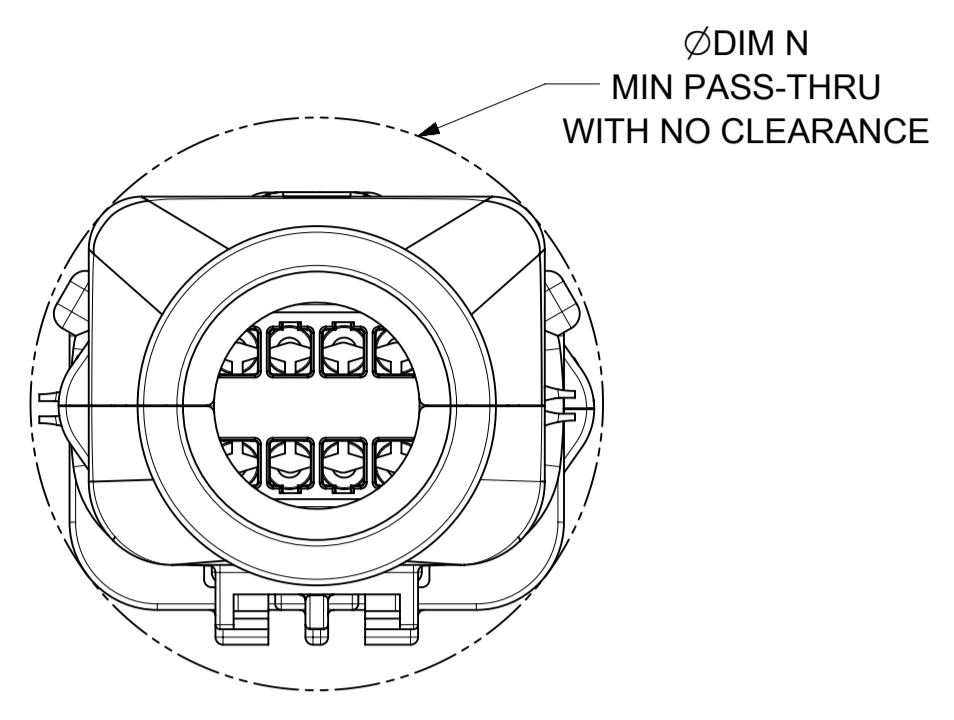
SYMBOLS = 0 = 0 = 0 = 0 = 0 = 0 = 0 = 0 = 0	THIS DRAWING CONTAINS INFORMATION THAT IS PROPRIETARY TO MOLEX ELECTRONIC TECHNOLOGIES, LLC AND SHOULD NOT BE USED WITHOUT WRITTEN PERMISSION DIMENSION UNITS: mm SCALE: 1:1		CURRENT REV DESC: EC NO: 171650 DRWN: PMANJUNATHAC 2018/01/01 CHK'D: MVANSLAMBROU 2018/02/16 APPR: MVANSLAMBROU 2018/02/16		 MX150 GEN 2 BLADE DUAL ROW SEALED ASSEMBLY MAT SEAL					
	GENERAL TOLERANCES (UNLESS SPECIFIED) ANGULAR TOL ± 3.0°		INITIAL REVISION: DRWN: KBORUSZEWSKI 2014/02/19 APPR: VKOSHY 2014/03/05					PRODUCT CUSTOMER DRAWING		
4 PLACES ± 3 PLACES ± 2 PLACES ± 0.1 1 PLACE ± 0.2 0 PLACES ±		DRAFT WHERE APPLICABLE MUST REMAIN WITHIN DIMENSIONS		THIRD ANGLE PROJECTION 	DRAWING A1-SIZE	SERIES 160011	DOCUMENT NUMBER SD-160011-0001	DOC TYPE PSD	DOC PART 001	REVISION A5
MATERIAL NUMBER GENERAL MARKET			SHEET NUMBER 9 OF 11							

SHEET DESCRIPTION
SCHLEMMER BACKSHELL CONFIGURATIONS

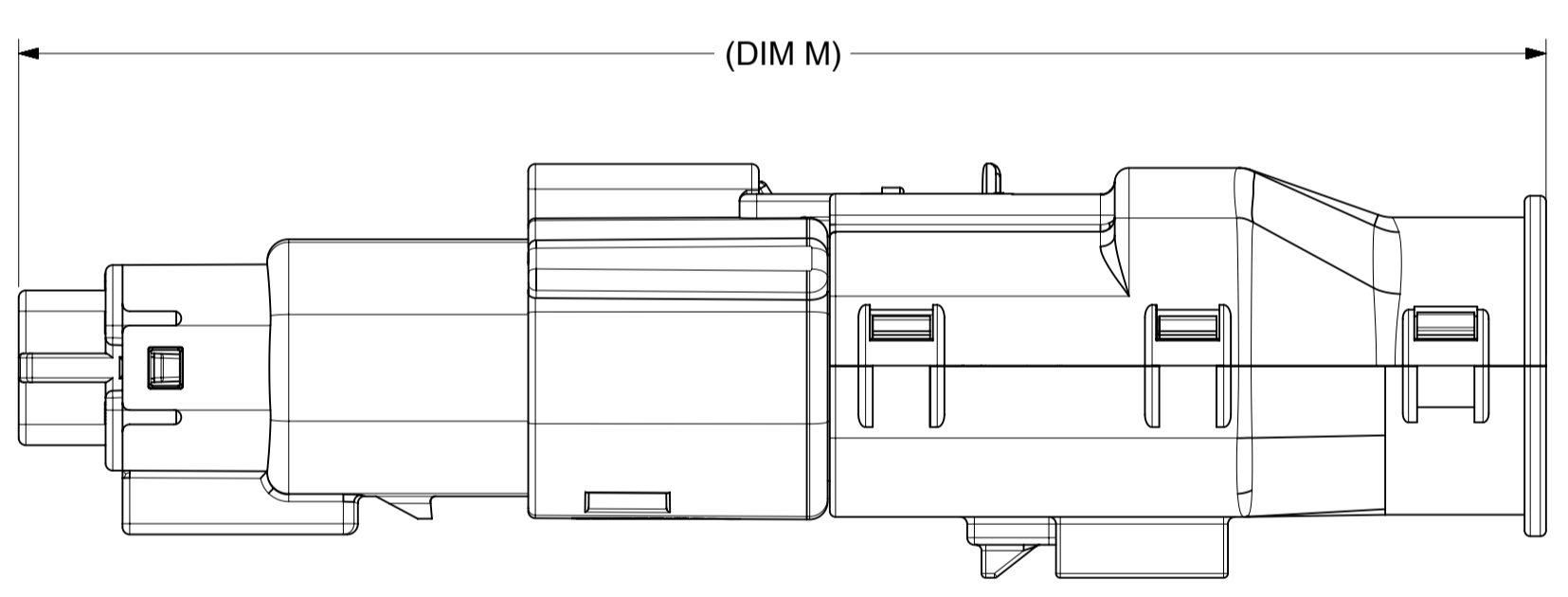
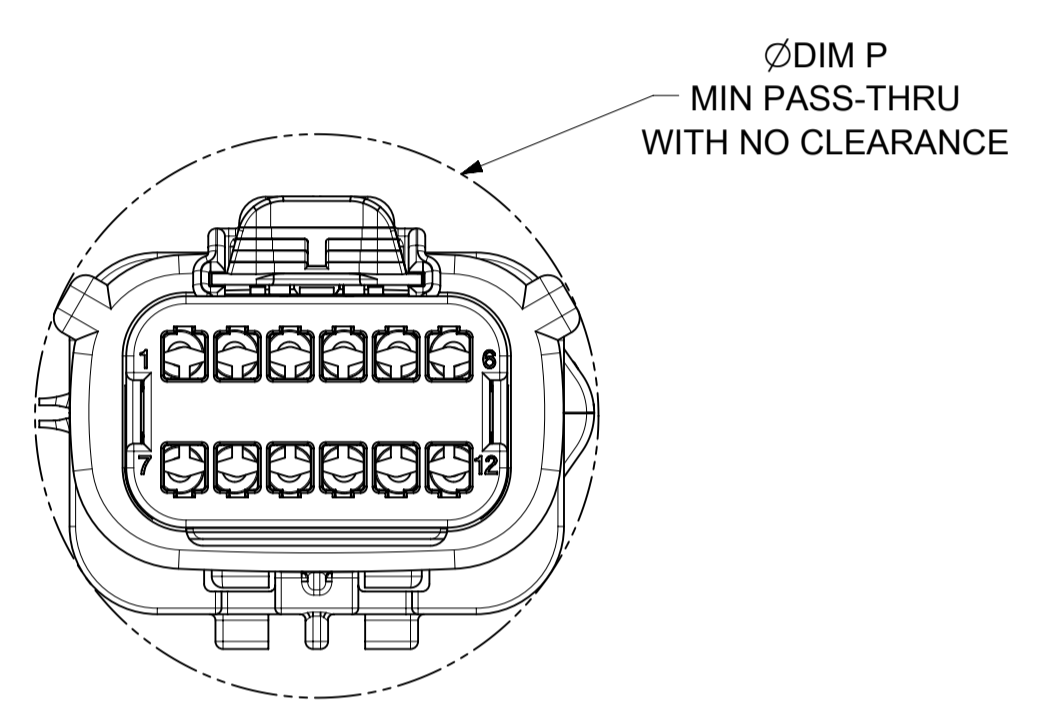
CKT	BLADE CONFIGURATION	RECEPTACLE CONFIGURATION	CHARTED DIMENSION				
			DIMENSIONS				
			M	N	P	R	S
2X6	STANDARD	STANDARD	106.83	37.84	37.27	35.83	36.83



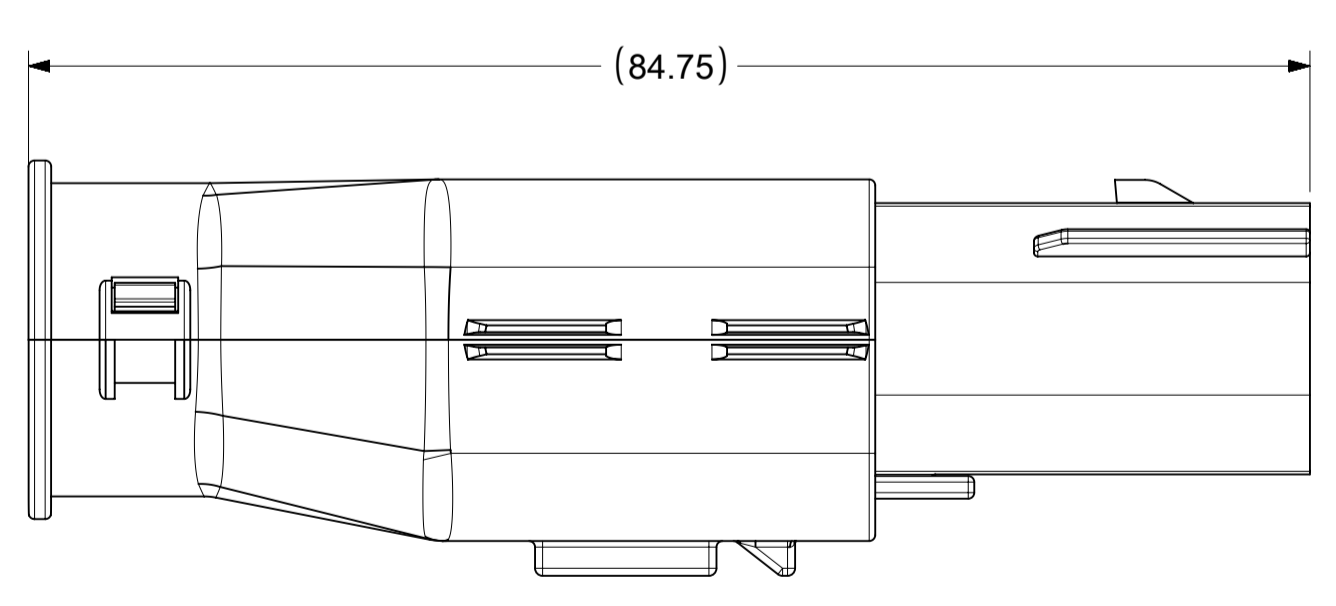
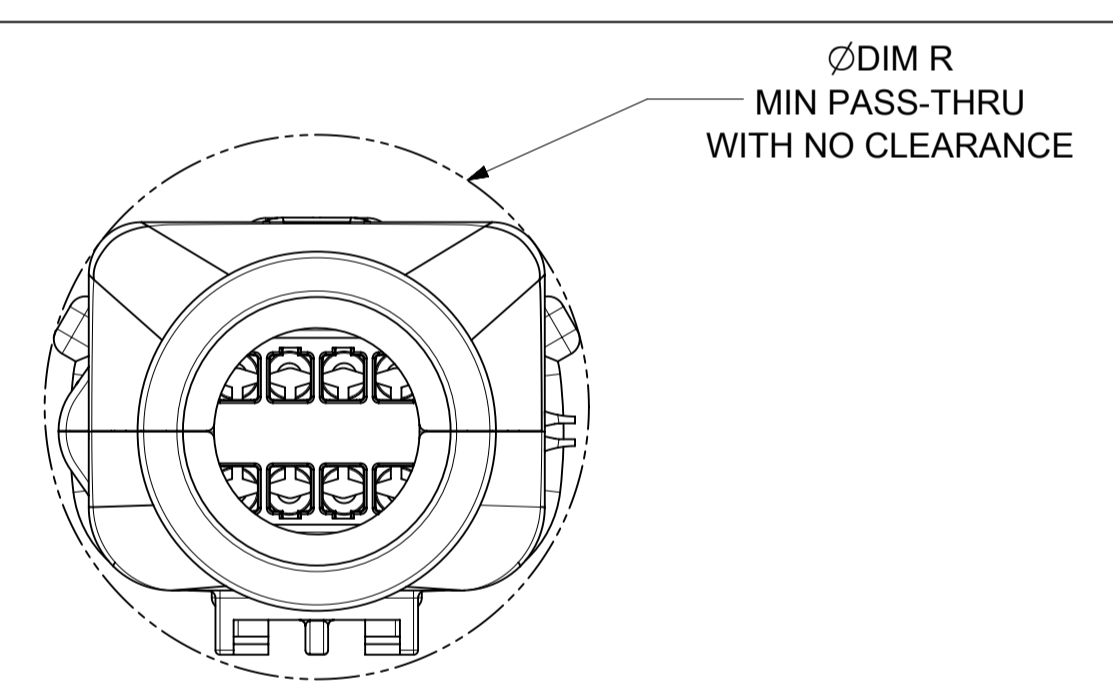
OVERALL MATED SYSTEM WITH BLADE AND RECEPTACLE BACKSHELL



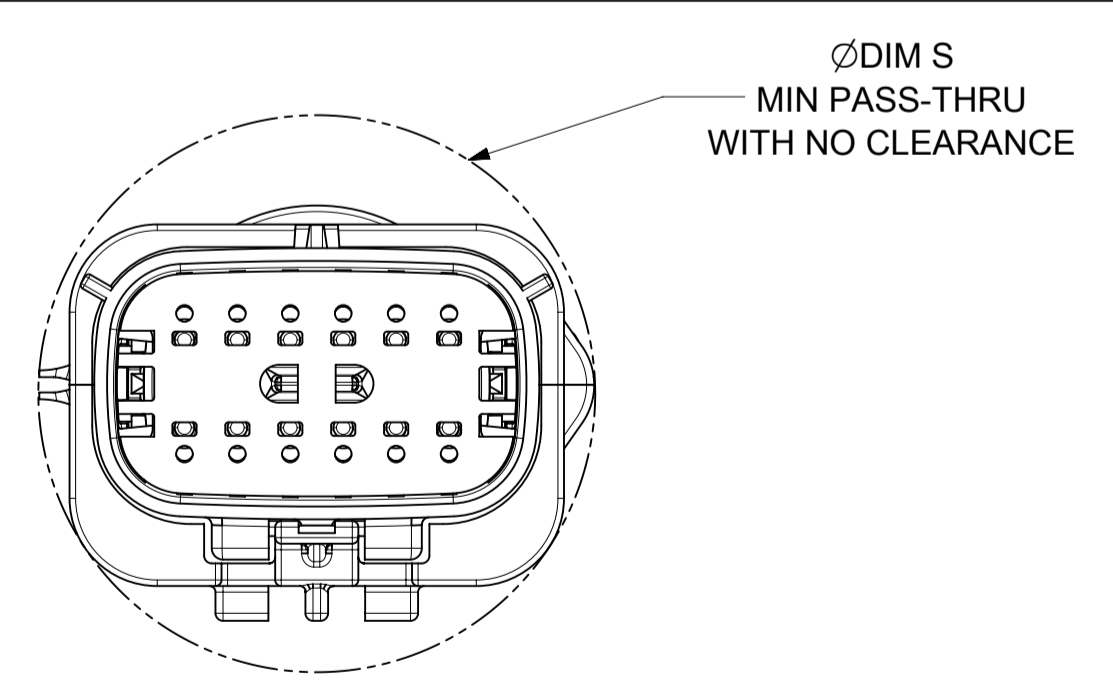
OVERALL MATED SYSTEM WITH BLADE BACKSHELL



OVERALL MATED SYSTEM WITH RECEPTACLE BACKSHELL



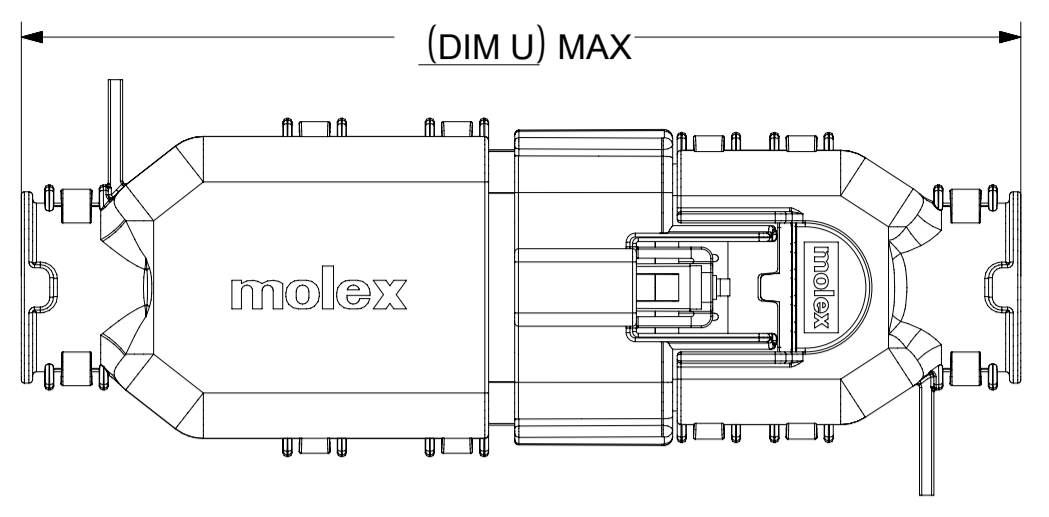
BLADE SEALED ASSEMBLY WITH BLADE BACKSHELL



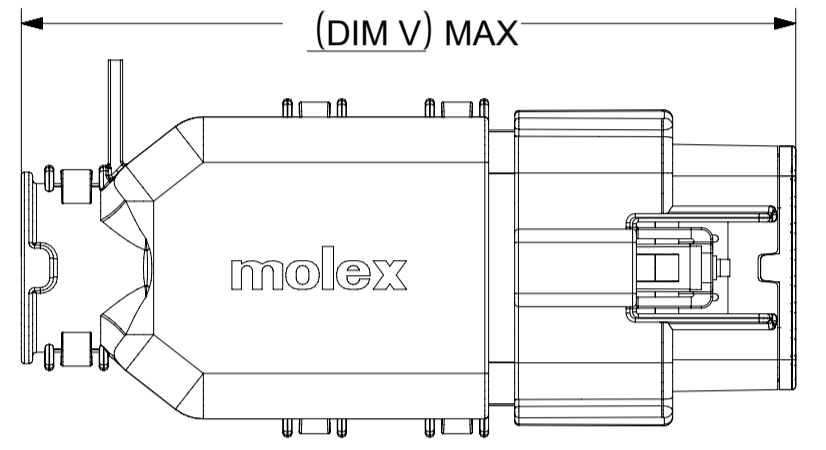
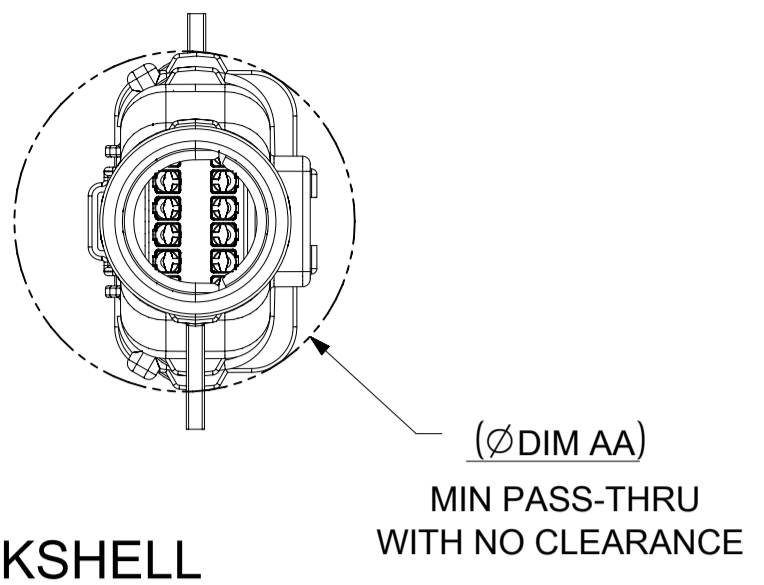
SYMBOLS THIS DRAWING CONTAINS INFORMATION THAT IS PROPRIETARY TO MOLEX ELECTRONIC TECHNOLOGIES, LLC AND SHOULD NOT BE USED WITHOUT WRITTEN PERMISSION DIMENSION UNITS: mm SCALE: 2:1 GENERAL TOLERANCES (UNLESS SPECIFIED): ANGULAR TOL: ± 3.0° 4 PLACES: ± 3 PLACES: ± 2 PLACES: ± 0.1 1 PLACE: ± 0.2 0 PLACES: ± DRAFT WHERE APPLICABLE MUST REMAIN WITHIN DIMENSIONS	CURRENT REV DESC: EC NO: 171650 DRWN: PMANJUNATHAC 2018/01/01 CHK'D: MVANSLAMBROU 2018/02/16 APPR: MVANSLAMBROU 2018/02/16 INITIAL REVISION: DRWN: KBORUSZEWSKI 2014/02/19 APPR: VKOSHY 2014/03/05		 MX150 GEN 2 BLADE DUAL ROW SEALED ASSEMBLY MAT SEAL	
	PRODUCT CUSTOMER DRAWING DOCUMENT NUMBER: SD-160011-0001 DOC TYPE: PSD DOC PART: 001 REVISION: A5			
	THIRD ANGLE PROJECTION 		MATERIAL NUMBER: 160011 CUSTOMER: GENERAL MARKET SHEET NUMBER: 10 OF 11	
	DRAWING: A1-SIZE SERIES: 160011			

SHEET DESCRIPTION
MOLEX BACKSHELL CONFIGURATIONS

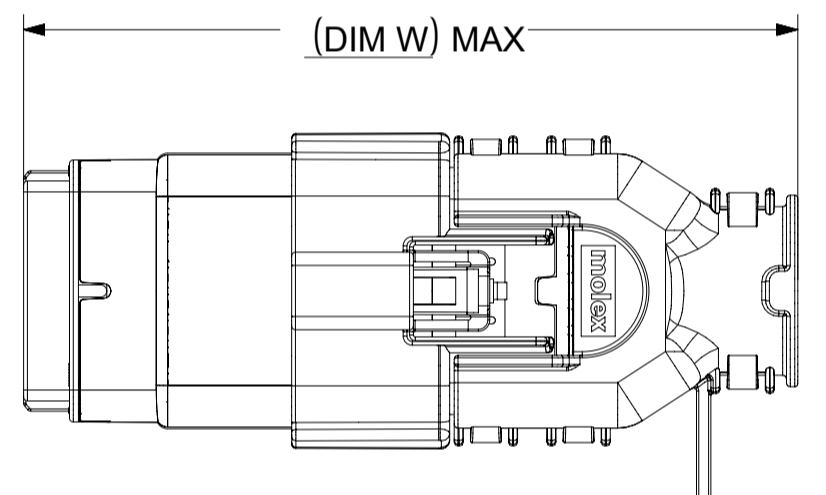
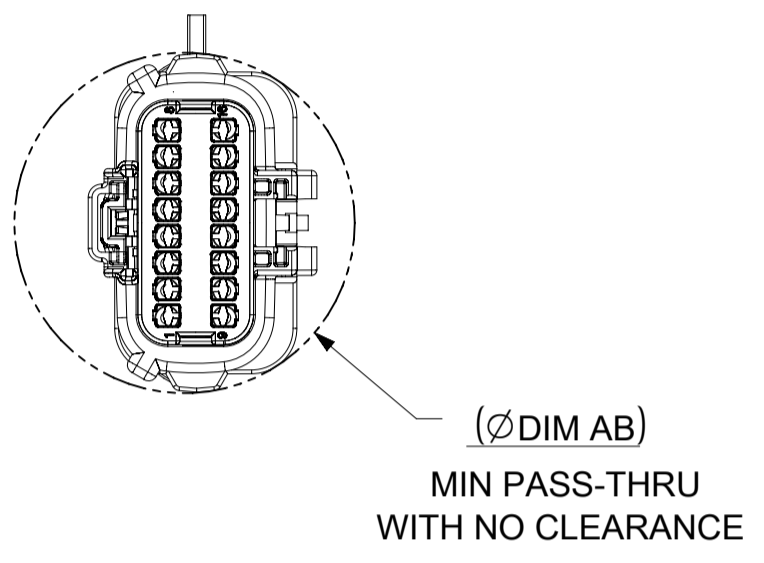
CKT	BLADE CONFIGURATION	RECEPTACLE CONFIGURATION	DIMENSIONS									
			U	V	W	X	Y	AA	AB	AC	AD	AE
2X4	STANDARD	STANDARD	115.29	94.34	93.98	75.62	32.10	32.93	32.54	32.85	31.76	56.81
2X8	STANDARD	STANDARD	N/A	N/A	N/A	N/A	N/A	N/A	N/A	N/A	N/A	N/A
2X10	STANDARD	STANDARD	132.54	102.79	102.78	84.07	36.10	45.44	45.44	42.65	45.44	68.18



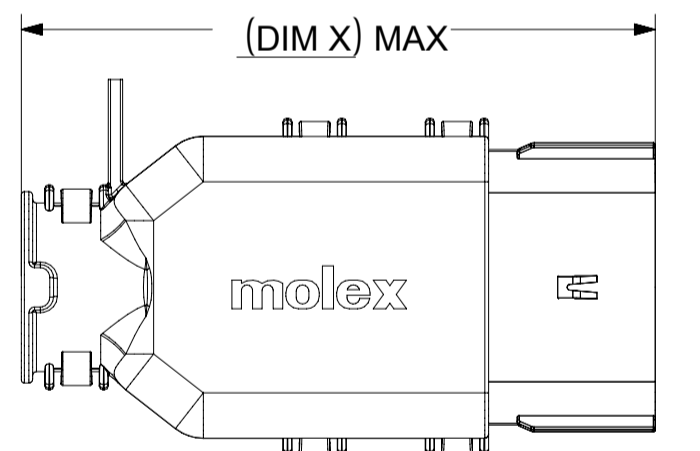
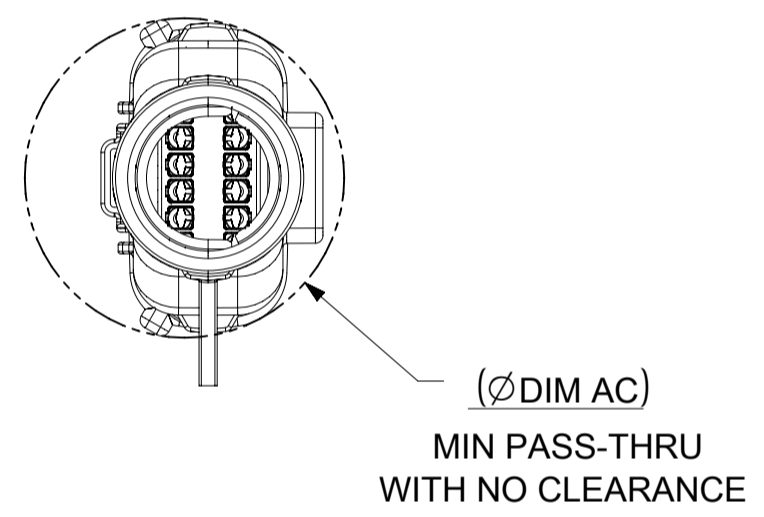
OVERALL MATED SYSTEM WITH BLADE AND RECEPTACLE BACKSHELL



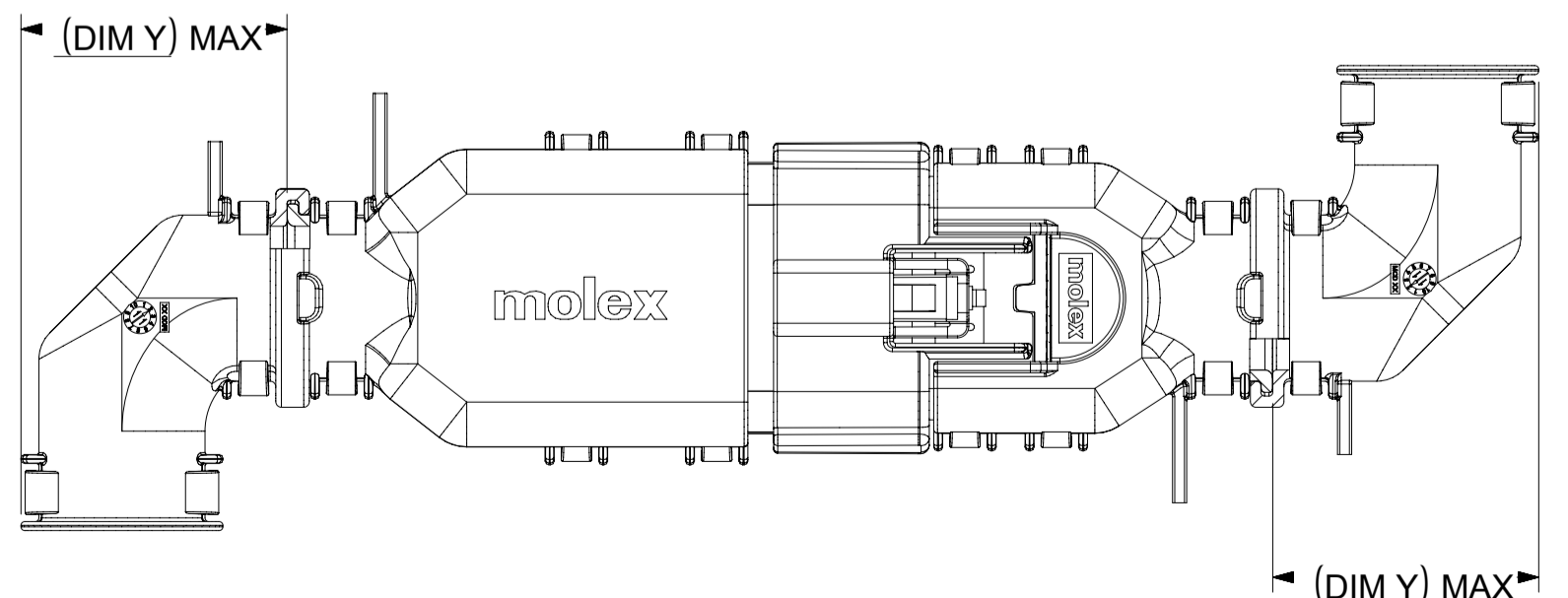
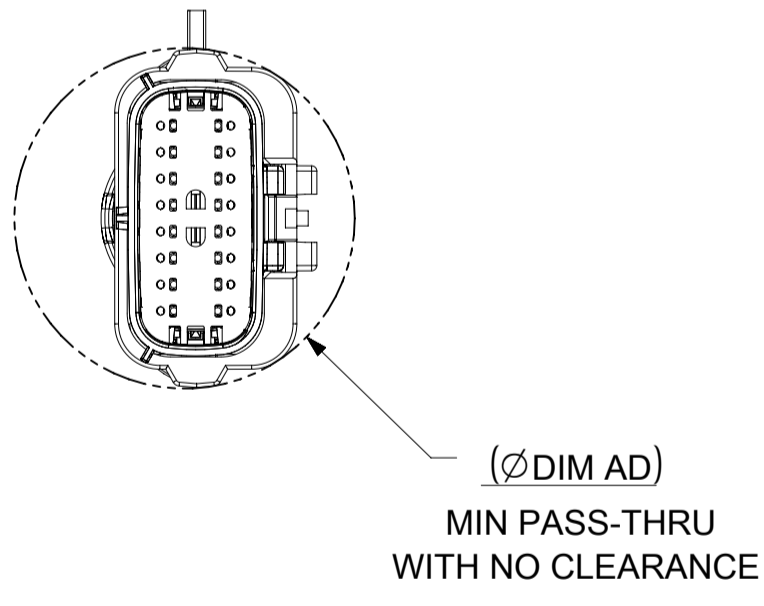
OVERALL MATED SYSTEM WITH BLADE BACKSHELL



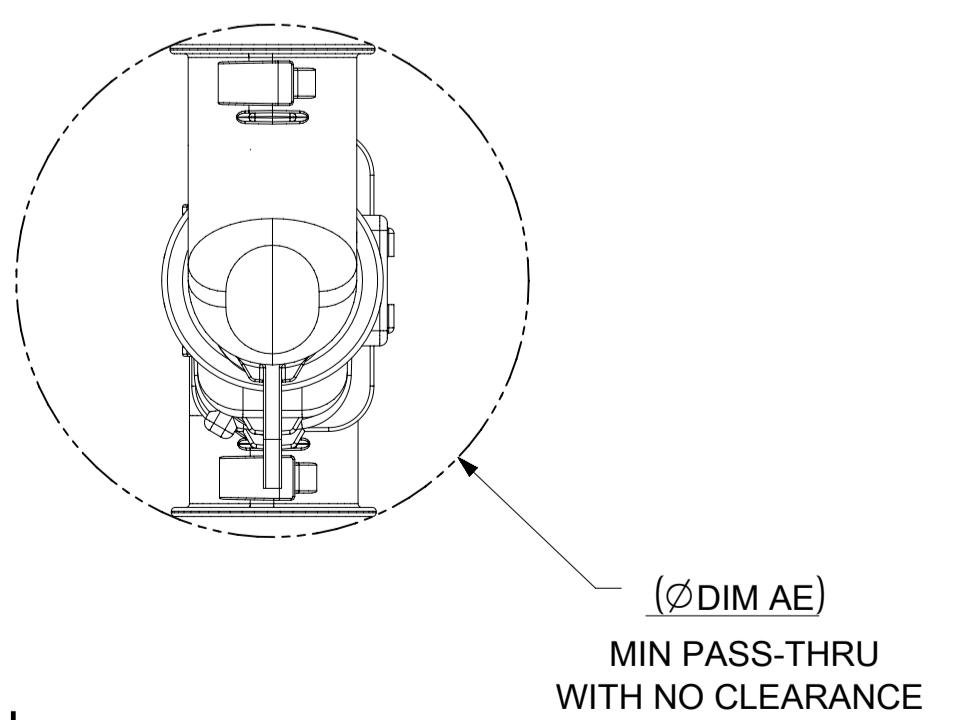
OVERALL MATED SYSTEM WITH RECEPTACLE BACKSHELL



BLADE SEALED ASSEMBLY WITH BLADE BACKSHELL

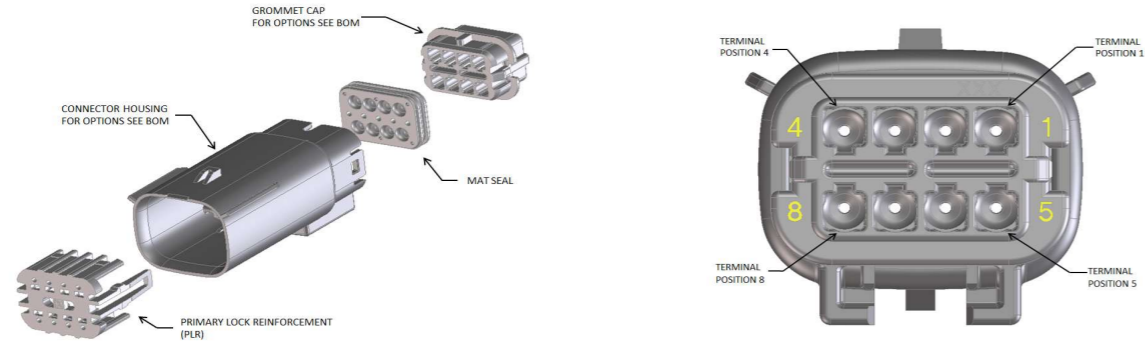


ADD THE VALUE OF 'Y' TO THE TOTAL DIMENSION WHENEVER ADAPTOR IS USED



SYMBOLS ▽ = 0 ▽ = 0 ▽ = 0 ▽ = 0 ▽ = 0 ▽ = 0 ▽ = 0 ▽ = 0 ▽ = 0 ▽ = 0 ▽ = 0 ▽ = 0	THIS DRAWING CONTAINS INFORMATION THAT IS PROPRIETARY TO MOLEX ELECTRONIC TECHNOLOGIES, LLC AND SHOULD NOT BE USED WITHOUT WRITTEN PERMISSION DIMENSION UNITS: mm SCALE: 1:1		CURRENT REV DESC: EC NO: 171650 DRWN: PMANJUNATHAC 2018/01/01 CHK'D: MVANSLAMBROU 2018/02/16 APPR: MVANSLAMBROU 2018/02/16			
	GENERAL TOLERANCES (UNLESS SPECIFIED) ANGULAR TOL ± 3.0° 4 PLACES ± 3 PLACES ± 2 PLACES ± 0.1 1 PLACE ± 0.2 0 PLACES ±		INITIAL REVISION: DRWN: KBORUSZEWSKI 2014/02/19 APPR: VKOSHY 2014/03/05		PRODUCT CUSTOMER DRAWING DOCUMENT NUMBER: SD-160011-0001 DOC TYPE: PSD DOC PART: 001 REVISION: A5	
DRAFT WHERE APPLICABLE MUST REMAIN WITHIN DIMENSIONS		THIRD ANGLE PROJECTION	DRAWING: A1-SIZE	SERIES: 160011	MATERIAL NUMBER:	CUSTOMER: GENERAL MARKET SHEET NUMBER: 11 OF 11

MX150 GEN 2 BLADE 2X4 SEALED ASSEMBLY MAT SEAL
BOM AND PIN OUT SHEET

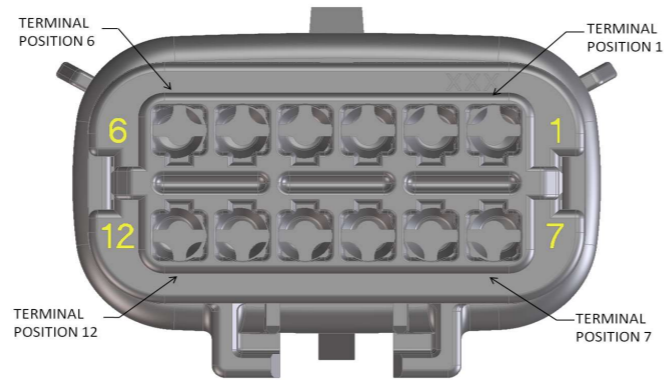
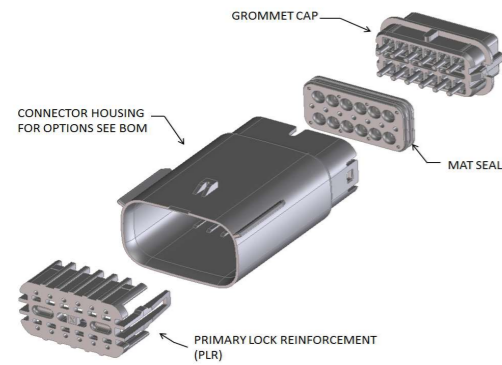


ABBREVIATION	DESCRIPTION	COLOR	MATERIAL
A-BLK-CLIP	HOUSING KEYING OPTION A WITH CLIPSLOT	BLACK	SPS/NYLON GF20
B-LG-CLIP	HOUSING KEYING OPTION B WITH CLIPSLOT	LIGHT GRAY	SPS/NYLON GF20
C-DG-CLIP	HOUSING KEYING OPTION C WITH CLIPSLOT	DARK GRAY	SPS/NYLON GF20
D-SG-CLIP	HOUSING KEYING OPTION D WITH CLIPSLOT	STONE GRAY	SPS/NYLON GF20
GCP	GROMMET CAP (PLUGGED)	BLACK	SPS/NYLON GF20
GCO	GROMMET CAP (OPEN)	BLACK	SPS/NYLON GF20
PLR-1	PLR-1	NATURAL	SPS/NYLON GF20
PLR-3	PLR-3	NATURAL	SPS/NYLON GF20
M-R	MAT SEAL	RUST RED	INHERENTLY LUBRICATED SILICONE
M-B	MAT SEAL	ROYAL BLUE	INHERENTLY LUBRICATED SILICONE

FOR ADDITIONAL INFORMATION SEE SD-160011-0001

ASSEMBLY DESCRIPTION	ASSEMBLY PART NUMBER	COMPONENT				BLOCKED TERMINALS								STATUS	COMMENTS	OPTIONAL ATTACHMENTS SOLD SEPERATELY				
		THE PRESENCE OF AN ABBREVIATION INDICATES THE PRESENCE OF THAT COMPONENT.				CAVITY WITH A NUMBER INDICATES BLOCKED TERMINAL POSITION CAVITY WITHOUT A NUMBER INDICATES OPEN TERMINAL POSITION										BACKSHELL WITH RIBS	BACKSHELL WITHOUT RIBS	90° ADAPTOR WITH RIBS	90° ADAPTOR WITHOUT RIBS	
		HOUSING KEY/COLOR	GROMMET CAP	PLR	MAT SEAL	1	2	3	4	5	6	7	8							
KEY A, BLACK, WITH CLIPSLOT	160011-4001	A-BLK-CLIP	GCO	PLR-1	M-R										PLANNED OBSOLECENCE		34950-0811	34950-0821	34951-0831	34951-0841
KEY B, LIGHT GRAY, WITH CLIPSLOT	160011-4002	B-LG-CLIP	GCO	PLR-1	M-R										PLANNED OBSOLECENCE		34950-0811	34950-0821	34951-0831	34951-0841
KEY C, DARK GRAY, WITH CLIPSLOT	160011-4003	C-DG-CLIP	GCO	PLR-1	M-R										PLANNED OBSOLECENCE		34950-0811	34950-0821	34951-0831	34951-0841
KEY D, STONE GRAY, WITH CLIPSLOT	160011-4004	D-SG-CLIP	GCO	PLR-1	M-R										PLANNED OBSOLECENCE		34950-0811	34950-0821	34951-0831	34951-0841
KEY A, BLACK, WITH CLIPSLOT	160011-4007	A-BLK-CLIP	GCP	PLR-1	M-R	1	2	3	4	5	6	7	8		PLANNED OBSOLECENCE		34950-0811	34950-0821	34951-0831	34951-0841
KEY B, LIGHT GRAY, WITH CLIPSLOT	160011-4008	B-LG-CLIP	GCP	PLR-1	M-R	1	2	3	4	5	6	7	8		PLANNED OBSOLECENCE		34950-0811	34950-0821	34951-0831	34951-0841
KEY C, DARK GRAY, WITH CLIPSLOT	160011-4009	C-DG-CLIP	GCP	PLR-1	M-R	1	2	3	4	5	6	7	8		PLANNED OBSOLECENCE		34950-0811	34950-0821	34951-0831	34951-0841
KEY D, STONE GRAY, WITH CLIPSLOT	160011-4010	D-SG-CLIP	GCP	PLR-1	M-R	1	2	3	4	5	6	7	8		PLANNED OBSOLECENCE		34950-0811	34950-0821	34951-0831	34951-0841
KEY A, BLACK, WITH CLIPSLOT	160011-4013	A-BLK-CLIP	GCP	PLR-1	M-R				4	5					PLANNED OBSOLECENCE		34950-0811	34950-0821	34951-0831	34951-0841
KEY A, BLACK, WITH CLIPSLOT	160011-4014	A-BLK-CLIP	GCP	PLR-1	M-R					5	6		8		PLANNED OBSOLECENCE		34950-0811	34950-0821	34951-0831	34951-0841
KEY A, BLACK, WITH CLIPSLOT	160011-4015	A-BLK-CLIP	GCP	PLR-1	M-R				4	5			8		SALEABLE		34950-0811	34950-0821	34951-0831	34951-0841
KEY A, BLACK, WITH CLIPSLOT	160121-4801	A-BLK-CLIP	GCO	PLR-3	M-B										OK TO TOOL		34950-0811	34950-0821	34951-0831	34951-0841
KEY B, LIGHT GRAY, WITH CLIPSLOT	160121-4802	B-LG-CLIP	GCO	PLR-3	M-B										OK TO TOOL		34950-0811	34950-0821	34951-0831	34951-0841
KEY A, BLACK, WITH CLIPSLOT	160121-4811	A-BLK-CLIP	GCP	PLR-3	M-B				4	5					OK TO TOOL		34950-0811	34950-0821	34951-0831	34951-0841
KEY A, BLACK, WITH CLIPSLOT	160121-4832	A-BLK-CLIP	GCP	PLR-3	M-B					5	6		8		OK TO TOOL		34950-0811	34950-0821	34951-0831	34951-0841
KEY A, BLACK, WITH CLIPSLOT	160121-4834	A-BLK-CLIP	GCP	PLR-3	M-B	1	2	3	4	5	6	7	8		OK TO TOOL		34950-0811	34950-0821	34951-0831	34951-0841
KEY B, LIGHT GRAY, WITH CLIPSLOT	160121-4847	B-LG-CLIP	GCP	PLR-3	M-B	1	2	3	4	5	6	7	8		OK TO TOOL		34950-0811	34950-0821	34951-0831	34951-0841
KEY C, DARK GRAY, WITH CLIPSLOT	160121-4852	C-DG-CLIP	GCO	PLR-3	M-B										OK TO TOOL		34950-0811	34950-0821	34951-0831	34951-0841
KEY D, STONE GRAY, WITH CLIPSLOT	160121-4853	D-SG-CLIP	GCO	PLR-3	M-B										OK TO TOOL		34950-0811	34950-0821	34951-0831	34951-0841
KEY A, BLACK, WITH CLIPSLOT	160121-4854	A-BLK-CLIP	GCP	PLR-3	M-B				4	5			8		OK TO TOOL		34950-0811	34950-0821	34951-0831	34951-0841

MX150 GEN 2 BLADE 2X6 SEALED ASSEMBLY MAT SEAL
BOM AND PIN OUT SHEET



ABBREVIATION	DESCRIPTION	COLOR	MATERIAL
A-BLK-CLIP	HOUSING KEYING OPTION A WITH CLIPSLOT	BLACK	SPS/NYLON GF20
B-LG-CLIP	HOUSING KEYING OPTION B WITH CLIPSLOT	LIGHT GRAY	SPS/NYLON GF20
C-DG-CLIP	HOUSING KEYING OPTION C WITH CLIPSLOT	DARK GRAY	SPS/NYLON GF20
D-SG-CLIP	HOUSING KEYING OPTION D WITH CLIPSLOT	STONE GRAY	SPS/NYLON GF20
GCP	GROMMET CAP (PLUGGED)	BLACK	SPS/NYLON GF20
PLR-1	PLR-1	NATURAL	SPS/NYLON GF20
PLR-3	PLR-3	NATURAL	SPS/NYLON GF20
M-R	MAT SEAL	RUST RED	INHERENTLY LUBRICATED SILICONE
M-B	MAT SEAL	ROYAL BLUE	INHERENTLY LUBRICATED SILICONE

FOR ADDITIONAL INFORMATION SEE SD-160011-0001

ASSEMBLY DESCRIPTION	ASSEMBLY PART NUMBER	COMPONENT				BLOCKED TERMINALS												STATUS	COMMENTS	OPTIONAL ATTACHMENTS SOLD SEPERATELY		
		THE PRESENCE OF AN ABBREVIATION INDICATES THE PRESENCE OF THAT COMPONENT.				CAVITY WITH A NUMBER INDICATES BLOCKED TERMINAL POSITION CAVITY WITHOUT A NUMBER INDICATES OPEN TERMINAL POSITION														BACKSHELL WITH RIBS	BACKSHELL WITHOUT RIBS	
		HOUSING KEY/COLOR	GROMMET CAP	PLR	MAT SEAL	1	2	3	4	5	6	7	8	9	10	11	12					
KEY A, BLACK, WITH CLIPSLOT	160011-6001	A-BLK-CLIP	GCP	PLR-1	M-R														PLANNED OBSOLESCENCE		34950-1210	34950-1220
KEY B, LIGHT GRAY, WITH CLIPSLOT	160011-6002	B-LG-CLIP	GCP	PLR-1	M-R														PLANNED OBSOLESCENCE		34950-1210	34950-1220
KEY C, DARK GRAY, WITH CLIPSLOT	160011-6003	C-DG-CLIP	GCP	PLR-1	M-R														PLANNED OBSOLESCENCE		34950-1210	34950-1220
KEY D, STONE GRAY, WITH CLIPSLOT	160011-6004	D-SG-CLIP	GCP	PLR-1	M-R														PLANNED OBSOLESCENCE		34950-1210	34950-1220
KEY A, BLACK, WITH CLIPSLOT	160011-6007	A-BLK-CLIP	GCP	PLR-1	M-R	1	2	3	4	5	6	7	8	9	10	11	12	PLANNED OBSOLESCENCE		34950-1210	34950-1220	
KEY B, LIGHT GRAY, WITH CLIPSLOT	160011-6008	B-LG-CLIP	GCP	PLR-1	M-R	1	2	3	4	5	6	7	8	9	10	11	12	PLANNED OBSOLESCENCE		34950-1210	34950-1220	
KEY C, DARK GRAY, WITH CLIPSLOT	160011-6009	C-DG-CLIP	GCP	PLR-1	M-R	1	2	3	4	5	6	7	8	9	10	11	12	PLANNED OBSOLESCENCE		34950-1210	34950-1220	
KEY D, STONE GRAY, WITH CLIPSLOT	160011-6010	D-SG-CLIP	GCP	PLR-1	M-R	1	2	3	4	5	6	7	8	9	10	11	12	PLANNED OBSOLESCENCE		34950-1210	34950-1220	
KEY A, BLACK, WITH CLIPSLOT	160121-6201	A-BLK-CLIP	GCP	PLR-3	M-B													OK TO TOOL		34950-1210	34950-1220	
KEY B, LIGHT GRAY, WITH CLIPSLOT	160121-6202	B-LG-CLIP	GCP	PLR-3	M-B													OK TO TOOL		34950-1210	34950-1220	
KEY A, BLACK, WITH CLIPSLOT	160121-6227	A-BLK-CLIP	GCP	PLR-3	M-B	1	2	3	4	5	6	7	8	9	10	11	12	OK TO TOOL		34950-1210	34950-1220	
KEY B, LIGHT GRAY, WITH CLIPSLOT	160121-6228	B-LG-CLIP	GCP	PLR-3	M-B	1	2	3	4	5	6	7	8	9	10	11	12	OK TO TOOL		34950-1210	34950-1220	
KEY C, DARK GRAY, WITH CLIPSLOT	160121-6261	C-DG-CLIP	GCP	PLR-3	M-B													OK TO TOOL		34950-1210	34950-1220	
KEY D, STONE GRAY, WITH CLIPSLOT	160121-6262	D-SG-CLIP	GCP	PLR-3	M-B													OK TO TOOL		34950-1210	34950-1220	
KEY C, DARK GRAY, WITH CLIPSLOT	160121-6263	C-DG-CLIP	GCP	PLR-3	M-B	1	2	3	4	5	6	7	8	9	10	11	12	OK TO TOOL		34950-1210	34950-1220	
KEY D, STONE GRAY, WITH CLIPSLOT	160121-6264	D-SG-CLIP	GCP	PLR-3	M-B	1	2	3	4	5	6	7	8	9	10	11	12	OK TO TOOL		34950-1210	34950-1220	

MX150 GEN 2 BLADE 2X10 SEALED ASSEMBLY MAT SEAL
BOM AND PIN OUT SHEET

ASSEMBLY DESCRIPTION	ASSEMBLY PART NUMBER	COMPONENT				BLOCKED TERMINALS																				STATUS	COMMENTS	OPTIONAL ATTACHMENTS SOLD SEPARATELY							
		THE PRESENCE OF AN ABBREVIATION INDICATES THE PRESENCE OF THAT COMPONENT.				CAVITY WITH A NUMBER INDICATES BLOCKED TERMINAL POSITION CAVITY WITHOUT A NUMBER INDICATES OPEN TERMINAL POSITION																						BACKSHELL WITH RIBS	BACKSHELL WITHOUT RIBS	90° ADAPTOR WITH RIBS	90° ADAPTOR WITHOUT RIBS				
		HOUSING KEY/COLOR	GROMMET CAP	PLR	MAT SEAL	1	2	3	4	5	6	7	8	9	10	11	12	13	14	15	16	17	18	19	20										
KEY A, BLACK, WITH CLIPSLOT	160121-2329	A-BLK-CLIP	GCP	PLR-3	M					5	6	7	8														SALEABLE					34950-2011	34950-2021	34951-1631	34951-1641
KEY A, BLACK, WITH CLIPSLOT	160121-2330	A-BLK-CLIP	GCP	PLR-3	M					5	6	7	8	9	10												SALEABLE					34950-2011	34950-2021	34951-1631	34951-1641
KEY A, BLACK, WITH CLIPSLOT	160121-2429	A-BLK-CLIP	GCP	PLR-3	M										10												SALEABLE					34950-2011	34950-2021	34951-1631	34951-1641

TABLE OF CONTENTS	
SHEET NO.	SHEET DESCRIPTION
1	NOTES AND BOM
2	CONFIGURATIONS
3-4	KEY CONFIGURATIONS
5	BLADE SEALED ASSEMBLY
6	SYSTEM PACKAGING
7	BACKSHELL NOTES
8	BACKSHELL
9	BACKSHELL CONFIGURATIONS

NOTES: VALID UNLESS OTHERWISE SPECIFIED

1. GENERAL:
a. APPLICATION SPECIFICATION SEE: AS-33472-100
-CONTAINS: PRODUCT INTRODUCTION, PRODUCT SUMMARY, CONNECTOR ASSEMBLY, PACKAGING INFORMATION, CONNECTOR MATING, SERVICE INSTRUCTIONS, ELECTRICAL CONTINUITY CHECKING, CRIMPING, AND TROUBLESHOOTING.
-DESIGNED TO MATE WITH RECEPTACLE SEALED ASSEMBLY AS SPECIFIED IN THE MATING CONNECTOR DRAWINGS CHART.
*DENOTES DRAWINGS THAT CAN BE ACCESSED AT <http://ewcap.uscarteams.org/>.
-ASSEMBLY SHIPPED WITH PLR IN PRE-LOCK POSITION (SEE PLR PRE-LOCK VIEW SHEET 5).

b. PRODUCT SPECIFICATION SEE:
-STANDARD CONFIGURATION: PS-33472-000
-UL V0 CONFIGURATION: TBD
CONTAINS: PRODUCT INTRODUCTION, PRODUCT SUMMARY, RATINGS (CURRENT, TEMPERATURE, SEALING, AND FLAMMABILITY), TERMINALS, WIRE DIAMETER RANGE, PRODUCT VALIDATION, AND PRODUCT DEVIATIONS.

c. PACKAGING SPECIFICATION PER MOLEX DRAWING: PK-31300-635

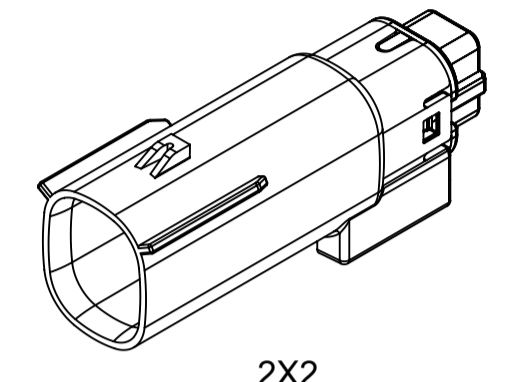
d. PARTS MUST BE IN COMPLIANCE TO MOLEX CHEMICAL SUBSTANCES FOR PRODUCTS AND PACKAGING SPECIFICATION: QEHS-699000-300

e. DATA MUST BE SUBMITTED UNDER THE MOLEX PART NUMBER TO IMDS (COMPANY ID#13255)

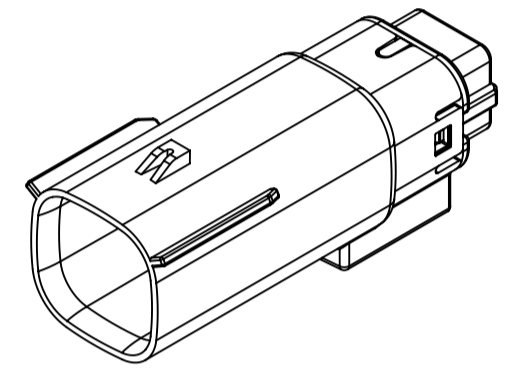
2. DESIGN - MATERIALS:
a. FOR BILL OF MATERIALS SEE:
-STANDARD CONFIGURATION: SD-33482-0002
-UL V0 CONFIGURATION: SD-160084-0002

3. DESIGN - GEOMETRY:
a. THE 3-D CAD DATA IS BASIC (WITHOUT TOLERANCE) AND MASTER FOR THIS PART WITH THE EXCEPTION OF UNDERLINED DIMENSIONS. DIMENSIONAL INFORMATION NOT SHOWN ON THIS DRAWING IS DEFINED BY THE DATA FILE AT ITS LATEST REVISION.
b. GEOMETRIC DIMENSIONS AND TOLERANCES PER ASME Y14.5M-2009
c. EDGES AND UNDIMENSIONED DETAILS PER ISO13715
d. CORNERS SHOWN AS SHARP TO BE R 0.2 MAX.
e. LETTERING SHALL BE 0.15 MAX RAISED IN 0.25 MAX RECESS PAD. THIS INCLUDES RECYCLING CODE, CAVITY ID, VENDOR IDENTIFICATION, AND CUSTOMER MATERIAL NUMBER.
f. VISUAL DEFECTS SHALL MEET COSMETIC STANDARD PS-45499-002 (Class B).
g. LASER MARKING:
1. PART NUMBER
2. DAY OF THE YEAR
3. SHIFT
4. YEAR
FOR ADDITIONAL INFORMATION SEE SECTION 5 UNDER PROCEDURES IN ES-34735-008.

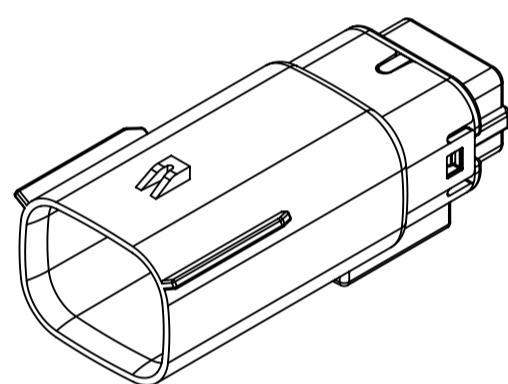
MATING CONNECTOR DRAWINGS	
DESCRIPTION	MOLEX INLINE
2X2	SD-33472-0001
2X3	SD-33472-0001
2X4	SD-33472-0001
2X6	SD-33472-0001
2X8	SD-33472-0001
2X10	SD-33472-0001



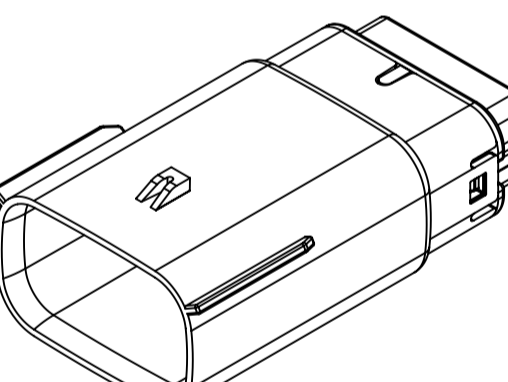
2X2



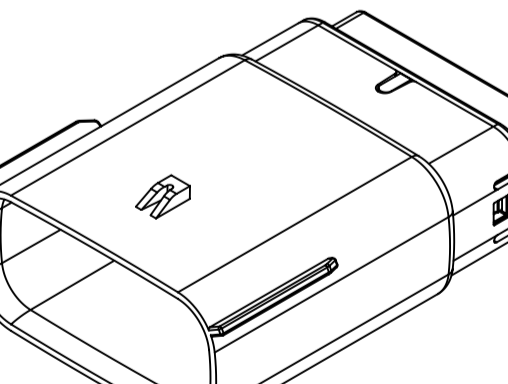
2X3



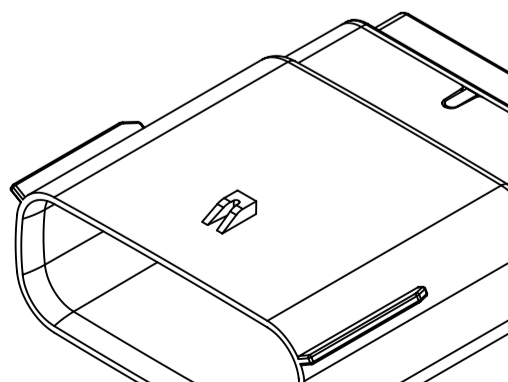
2X4



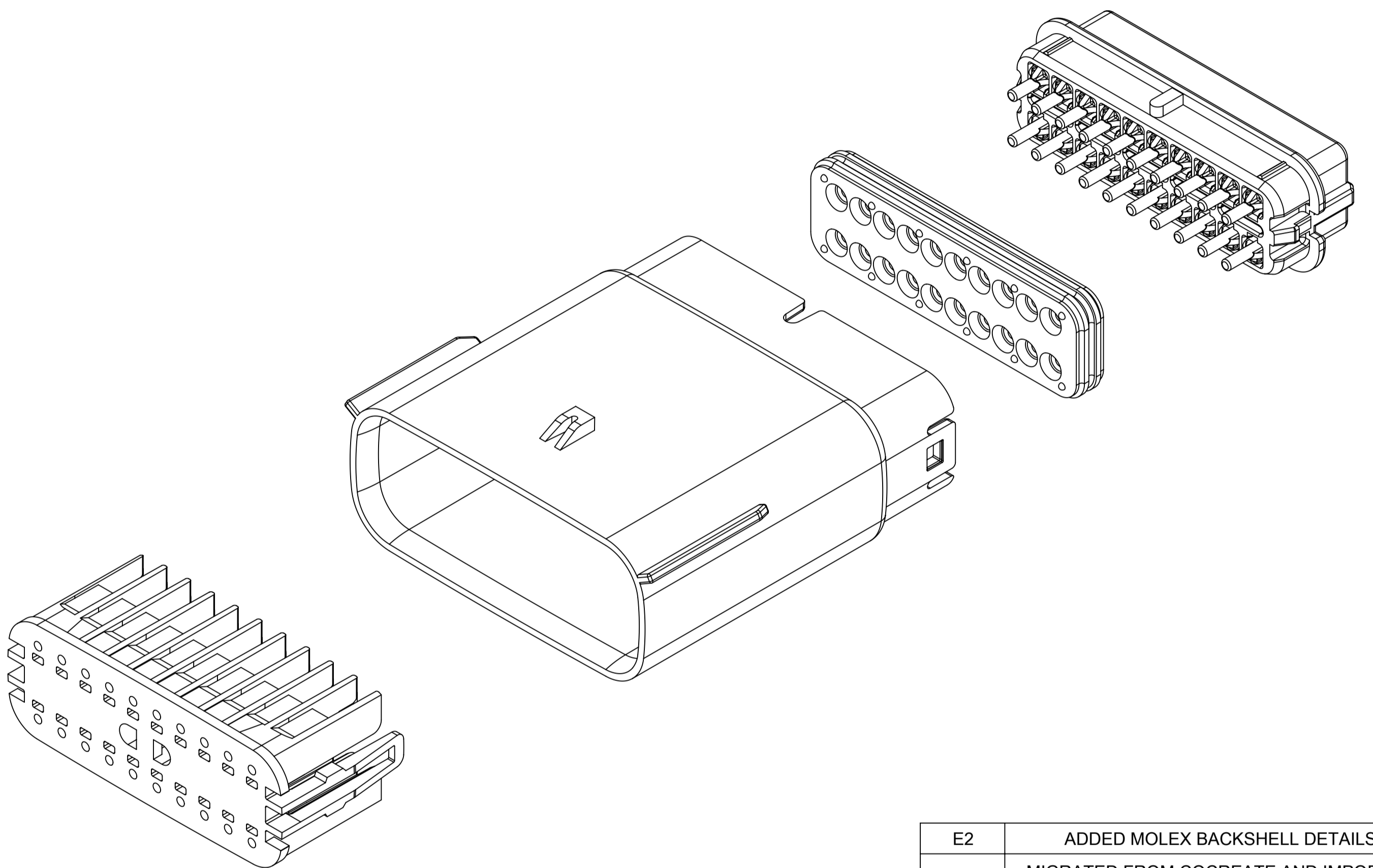
2X6



2X8



2X10

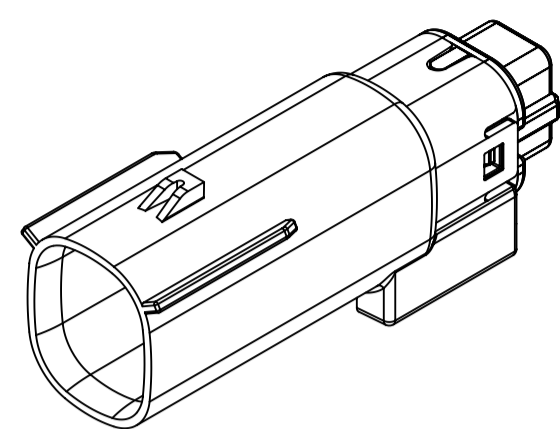


REV	REV DESCRIPTION
E2	ADDED MOLEX BACKSHELL DETAILS
E1	MIGRATED FROM COCREATE AND IMPORTED DXF FILES
E	ADDED CHARTED DIMENSIONS FOR 2X2, 2X4, 2X6 AND 2X8 WITH CLIPSLLOT
D	MINOR GEOMETRY CHANGE FOR UL V0
C3	ADD 2X4
C2	ADD 2X3
C1	ADD UL V0 CONFIGURATIONS
C	ADD 2X8
B1	ADD 2X6 BACKSHELL INFO
B	ADD 2X6
A	INITIAL RELEASE
REV	REV DESCRIPTION

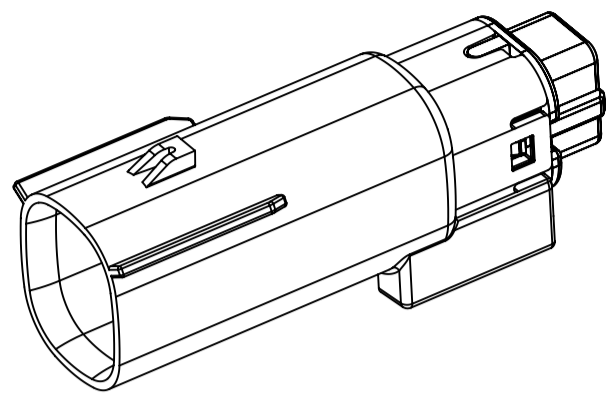
INSPECTION NUMBER LOG	
LAST NUMBER:	9
ADDED:	
REMOVED:	

SYMBOLS = 0 mm = 0 GENERAL TOLERANCES (UNLESS SPECIFIED) = 0 ANGULAR TOL ± 1.0° = 0 4 PLACES ± = 0 3 PLACES ± = 0 2 PLACES ± 0.1 = 0 1 PLACE ± 0.2 = 0 0 PLACES ± = 0 DRAFT WHERE APPLICABLE MUST REMAIN WITHIN DIMENSIONS	THIS DRAWING CONTAINS INFORMATION THAT IS PROPRIETARY TO MOLEX ELECTRONIC TECHNOLOGIES, LLC AND SHOULD NOT BE USED WITHOUT WRITTEN PERMISSION DIMENSION UNITS: mm SCALE: 1.5:1 CURRENT REV DESC: EC NO: 171650 DRWN: PMANJUNATHAC 2018/01/03 CHK'D: MVANSLAMBROU 2018/02/16 APPR: MVANSLAMBROU 2018/02/16 INITIAL REVISION: DRWN: APROFFITT 2014/04/28 APPR: VKOSHY 2014/05/14		 MX150 BLADE DUAL ROW SEALED ASSEMBLY MAT SEAL PRODUCT CUSTOMER DRAWING		
	DRWN: APROFFITT 2014/04/28 APPR: VKOSHY 2014/05/14				DOCUMENT NUMBER: SD-33482-0001 DOC TYPE: PSD DOC PART: 001 REVISION: E2
	THIRD ANGLE PROJECTION 		DRAWING: A1-SIZE SERIES: 33482	MATERIAL NUMBER: GENERAL MARKET CUSTOMER:	SHEET NUMBER: 1 OF 11
	DOCUMENT STATUS: P1 RELEASE DATE: 2018/02/16 22:02:26				

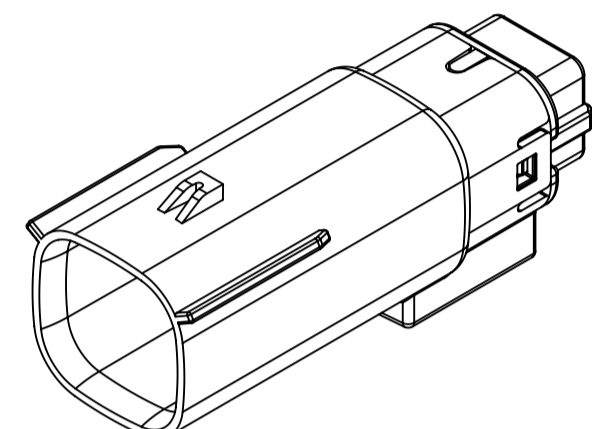
SHEET DESCRIPTION
CONFIGURATIONS



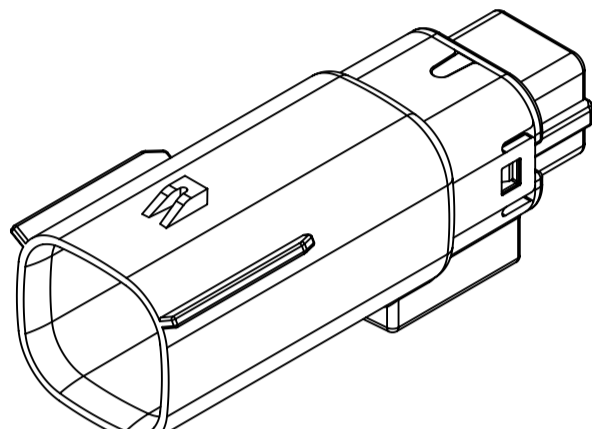
2X2 - STANDARD (STD)



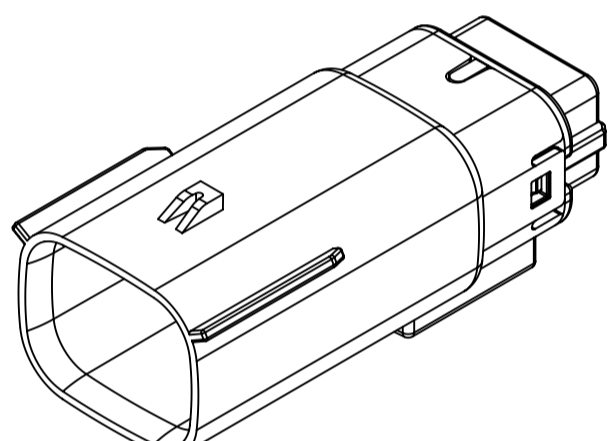
2X2 - UL V0*



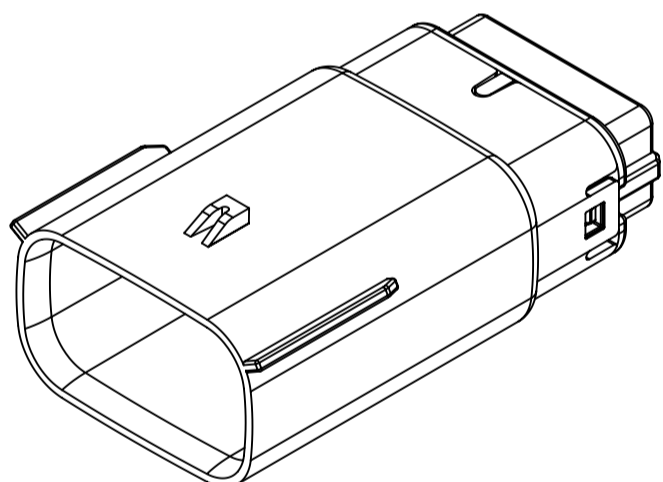
2X3 - STANDARD (STD)



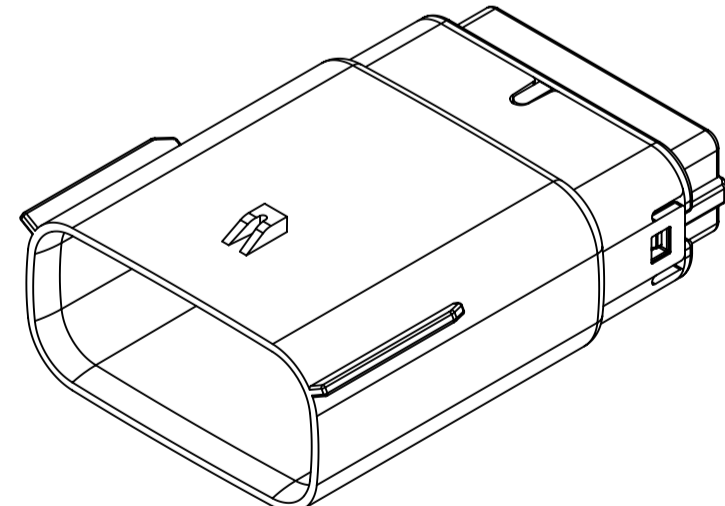
2X3 - LENGTHENED



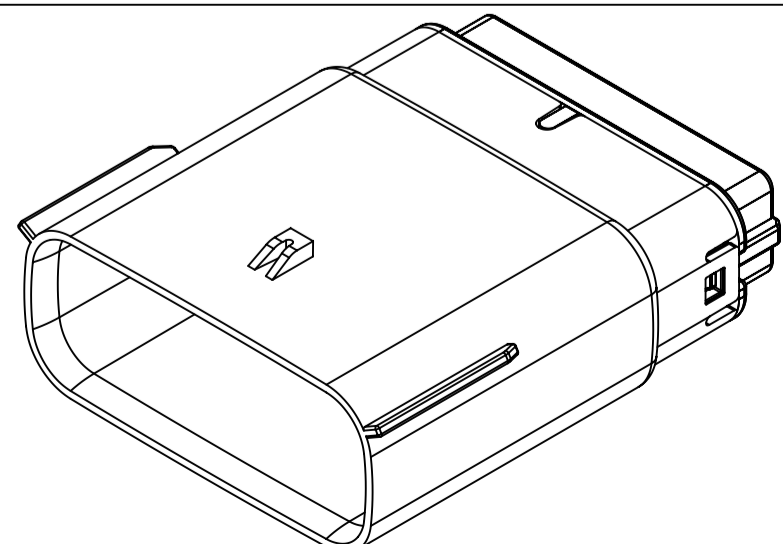
2X4 - STANDARD (STD)



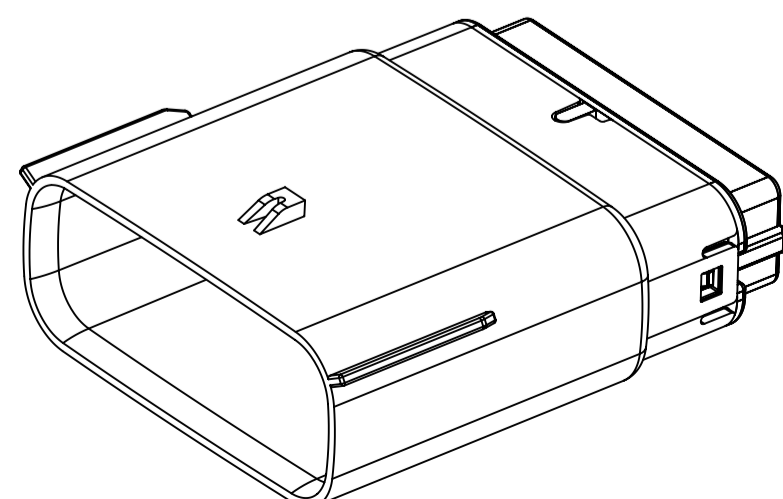
2X6 - STANDARD (STD)



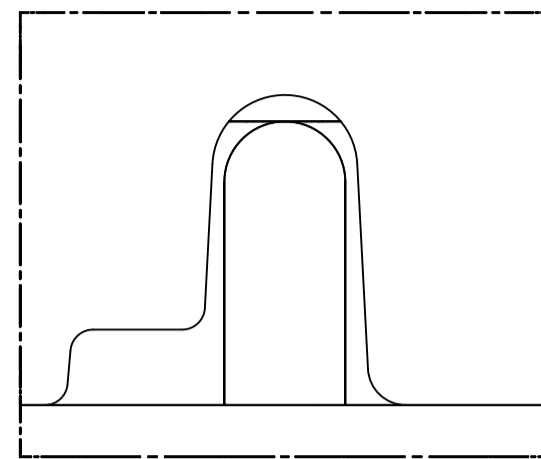
2X8 - STANDARD (STD)



2X10 - STANDARD (STD)



2X10 - UL V0*



UL V0 UNIQUE FEATURE

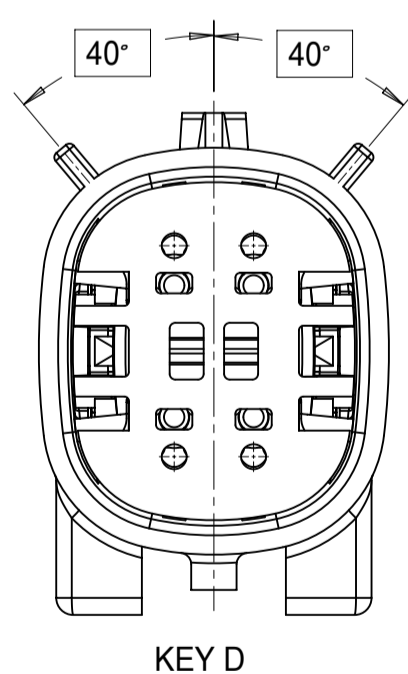
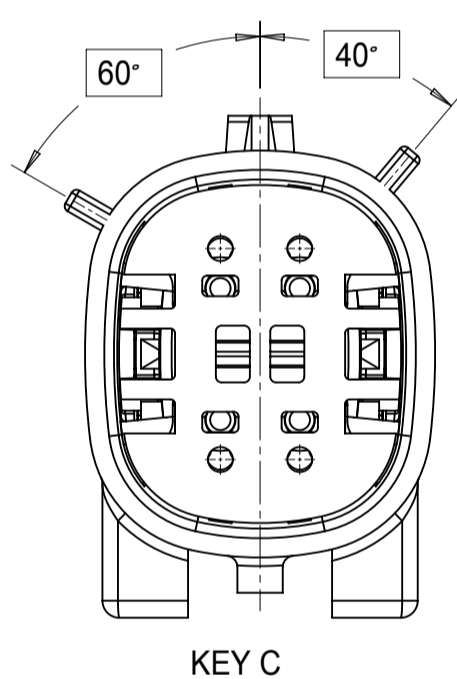
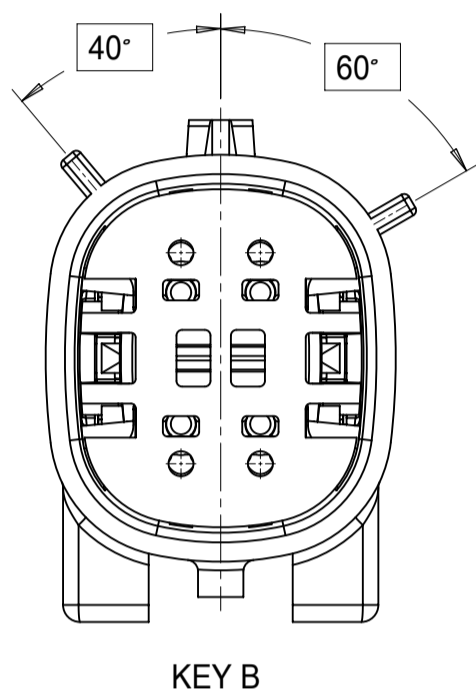
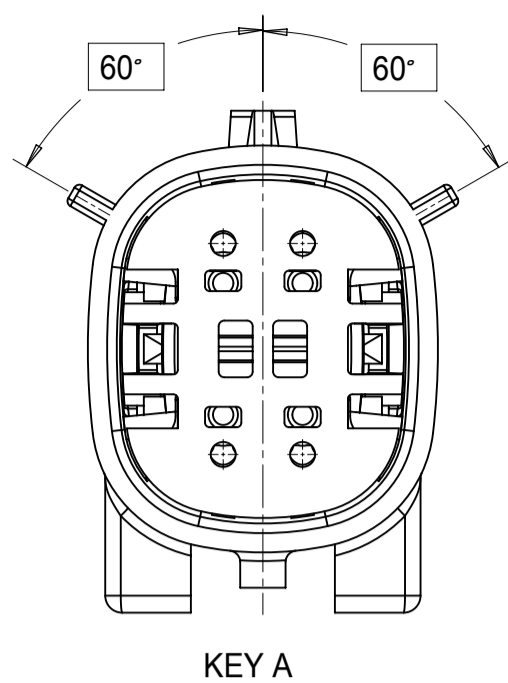
Partial1
SCALE 10:1

* MINOR GEOMETRY CHANGE THAN STANDARD CONFIGURATION.
SEE NOTE 2a FOR MORE INFORMATION

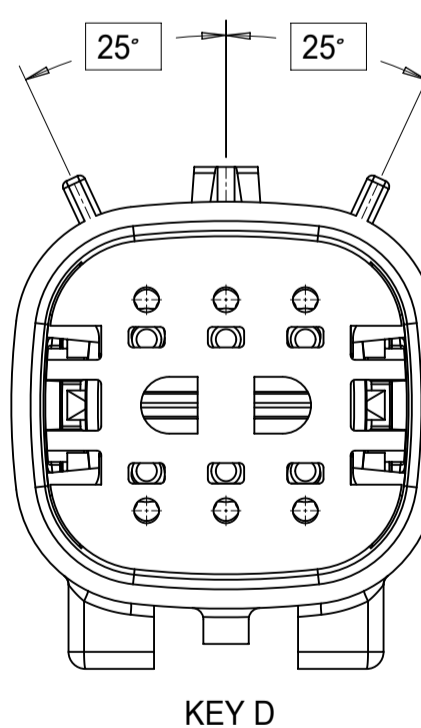
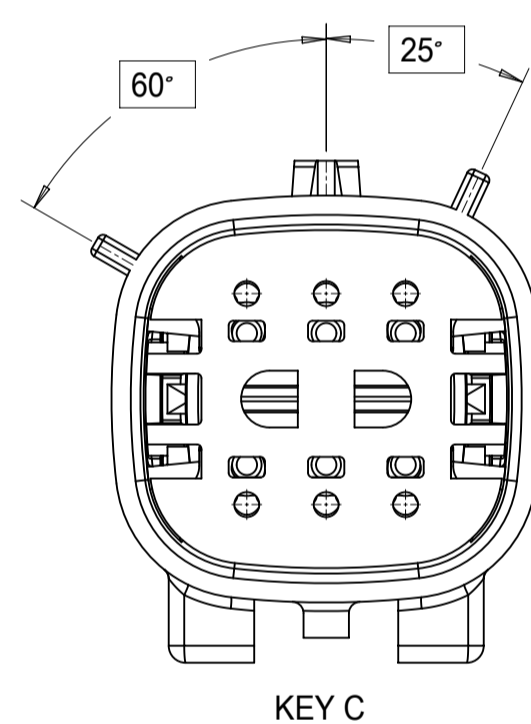
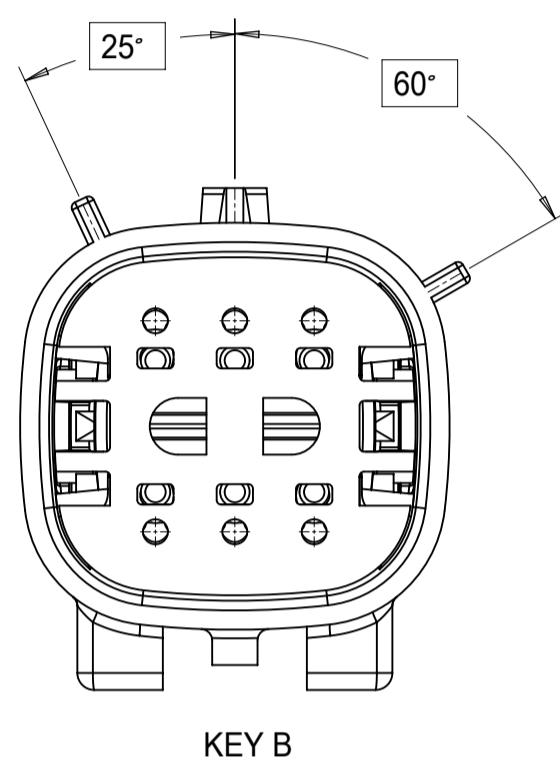
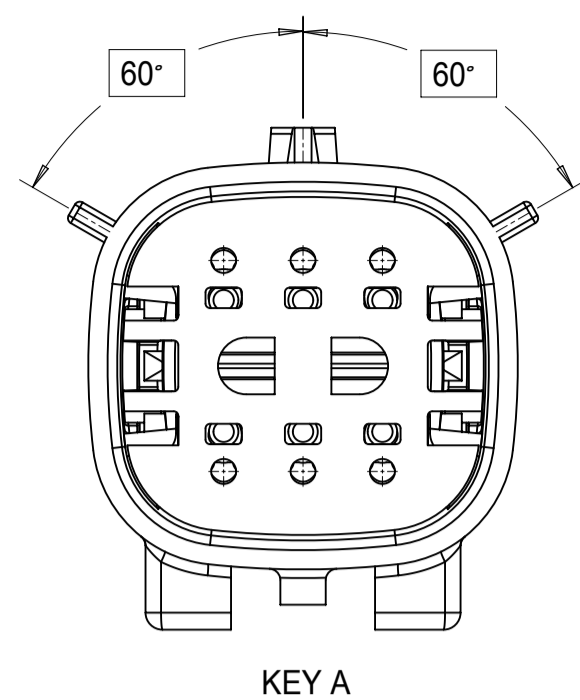
SYMBOLS	THIS DRAWING CONTAINS INFORMATION THAT IS PROPRIETARY TO MOLEX ELECTRONIC TECHNOLOGIES, LLC AND SHOULD NOT BE USED WITHOUT WRITTEN PERMISSION		CURRENT REV DESC:		molex
	DIMENSION UNITS	SCALE			
▽ = 0	mm	1.5:1	EC NO: 171650		MX150 BLADE DUAL ROW SEALED ASSEMBLY MAT SEAL
▽ = 0	GENERAL TOLERANCES (UNLESS SPECIFIED)		DRWN: PMANJUNATHAC 2018/01/03		
▽ = 0	ANGULAR TOL ± 1.0°		CHK'D: MVANSLAMBROU 2018/02/16		
▽ = 0	4 PLACES ±		APPR: MVANSLAMBROU 2018/02/16		
▽ = 0	3 PLACES ±		INITIAL REVISION:		
▽ = 0	2 PLACES ± 0.1		DRWN: APROFFITT 2014/04/28		
▽ = 0	1 PLACE ± 0.2		APPR: VKOSHY 2014/05/14		
▽ = 0	0 PLACES ±		THIRD ANGLE PROJECTION		
▽ = 0	DRAFT WHERE APPLICABLE MUST REMAIN WITHIN DIMENSIONS		DRAWING	SERIES	DOCUMENT NUMBER
			A1-SIZE	33482	SD-33482-0001
					DOC TYPE DOC PART REVISION
					PSD 001 E2
					PRODUCT CUSTOMER DRAWING
					CUSTOMER
					GENERAL MARKET
					SHEET NUMBER
					2 OF 11

SHEET DESCRIPTION
KEY CONFIGURATIONS

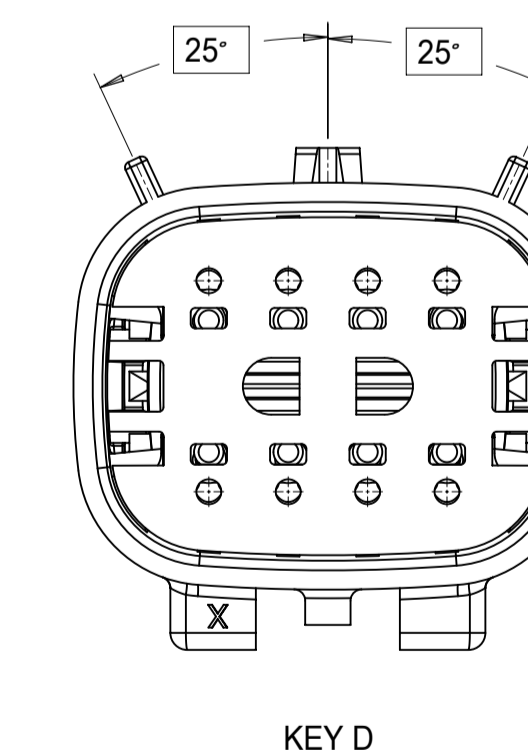
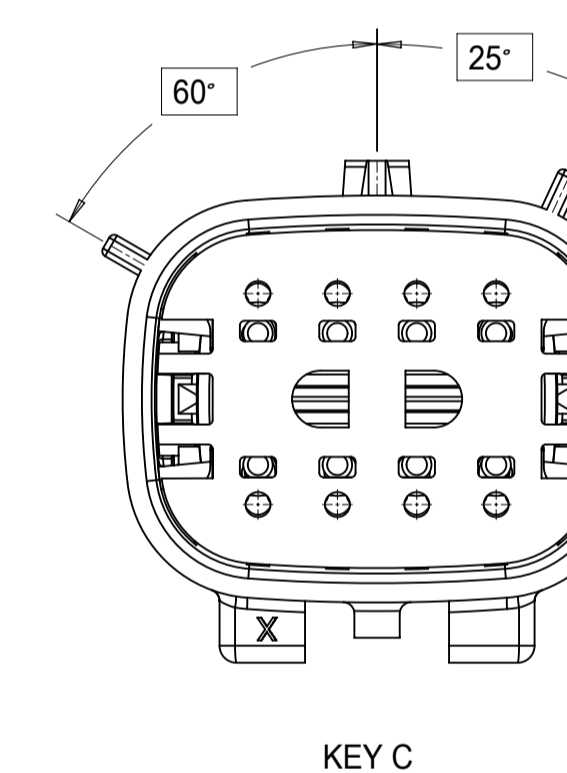
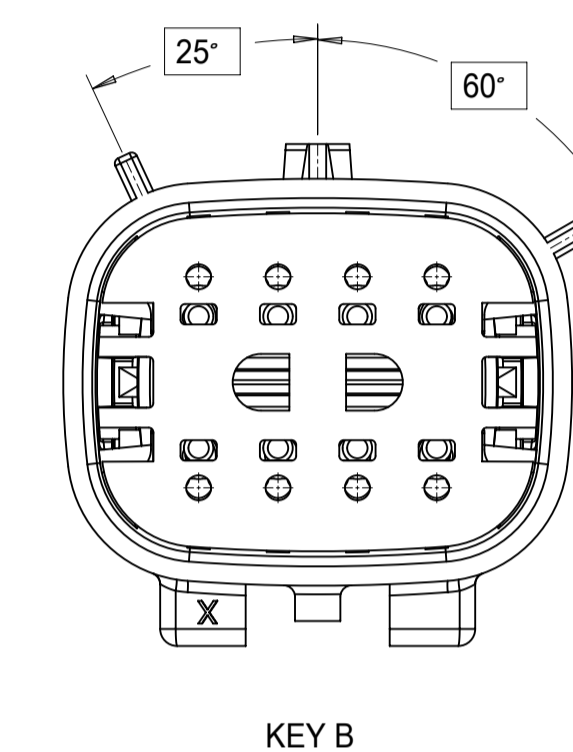
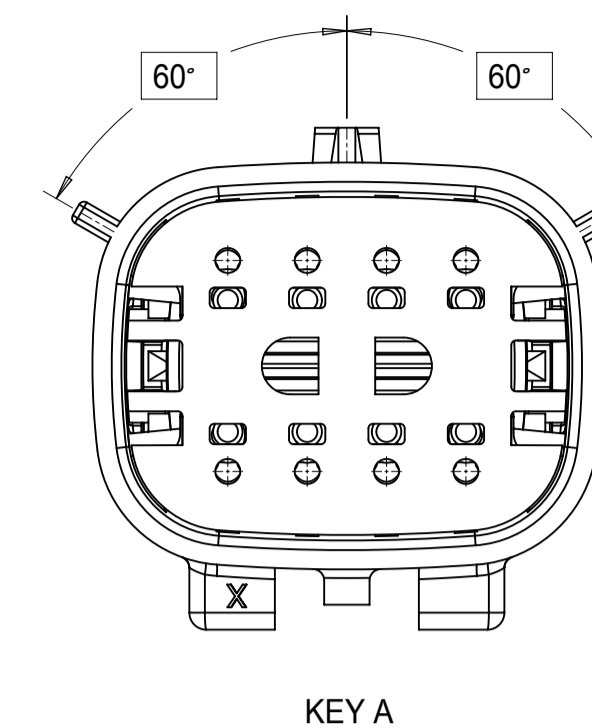
2X2



2X3



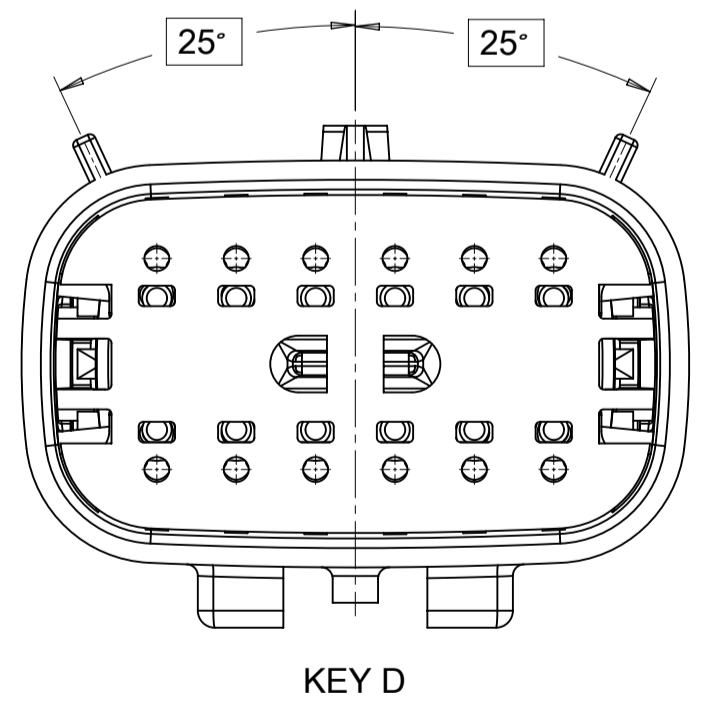
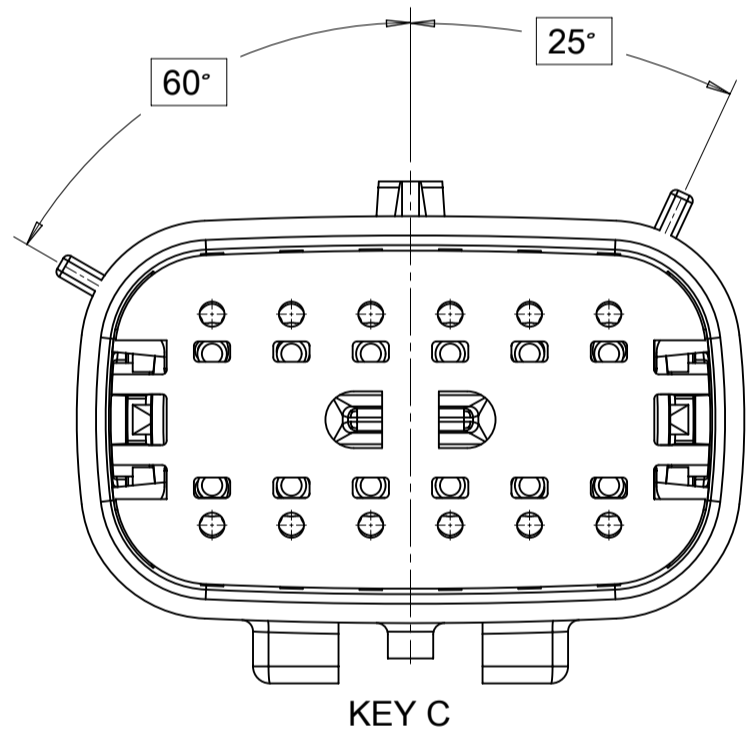
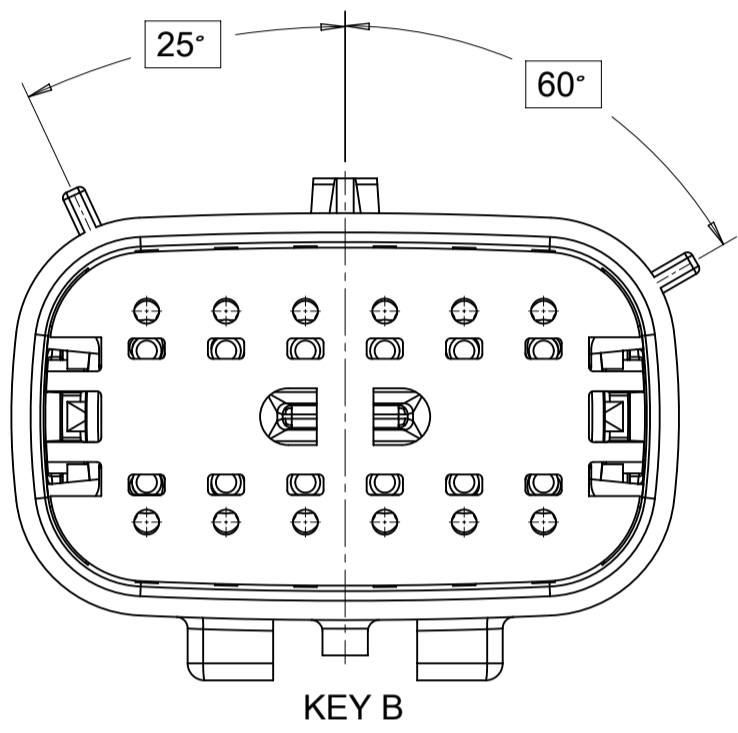
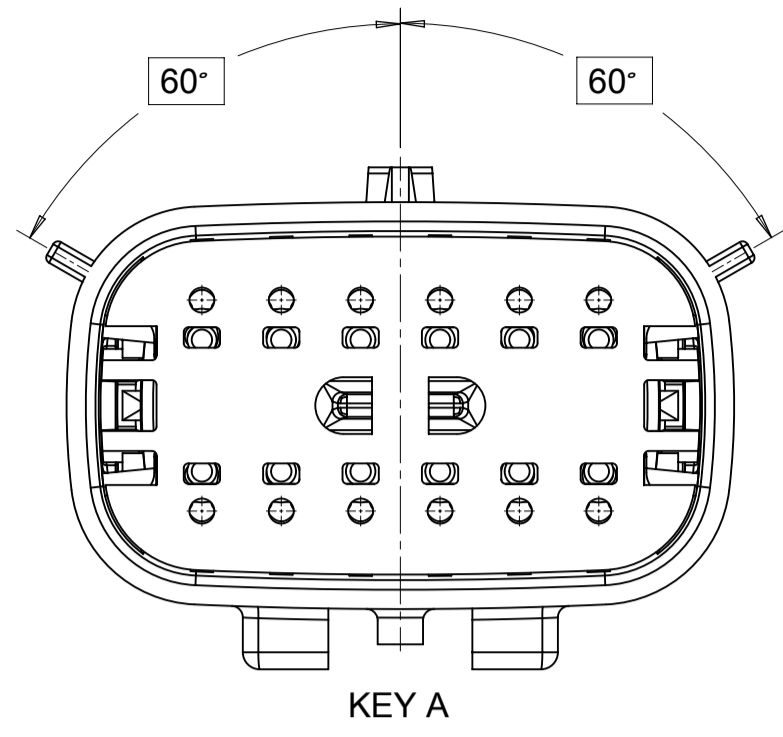
2X4



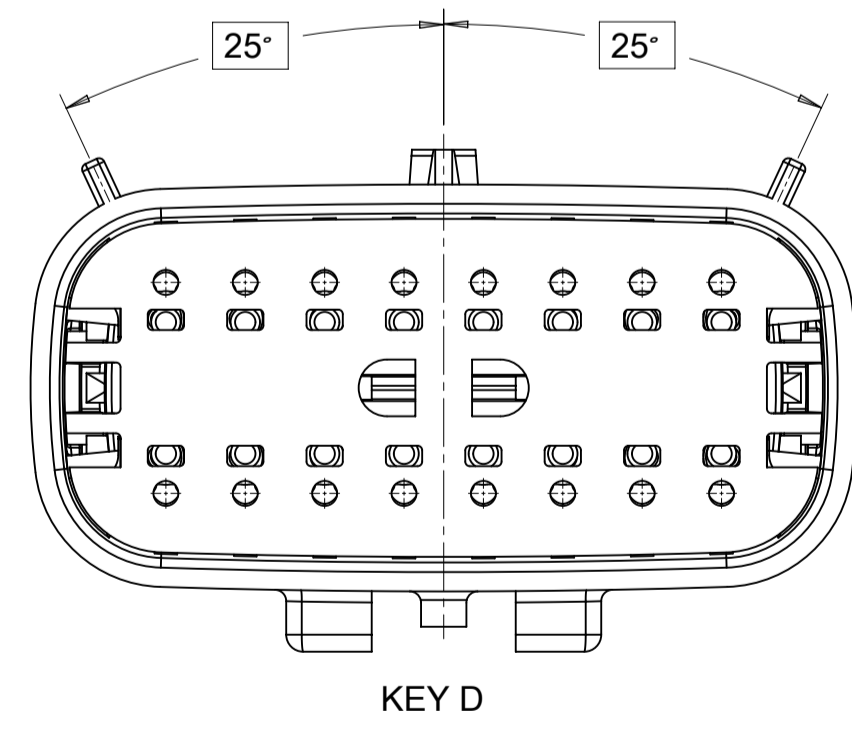
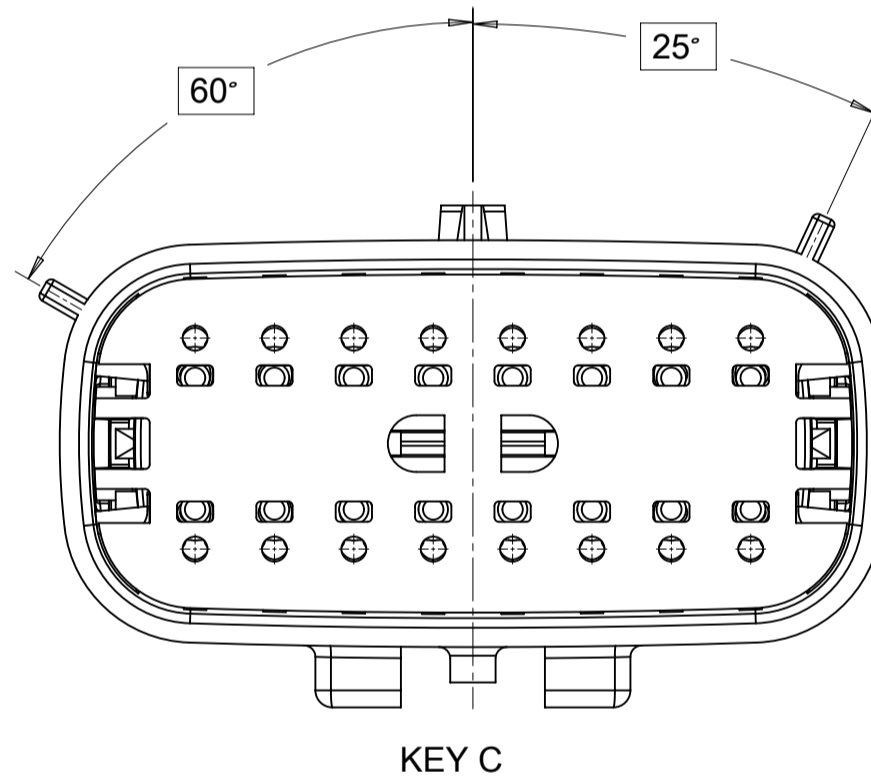
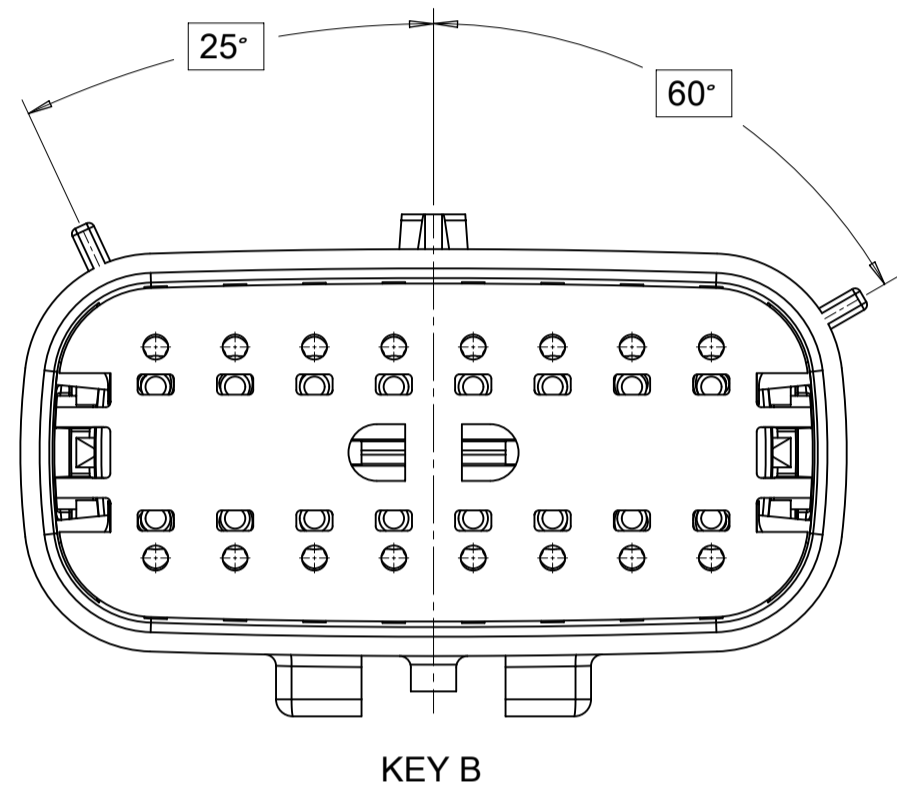
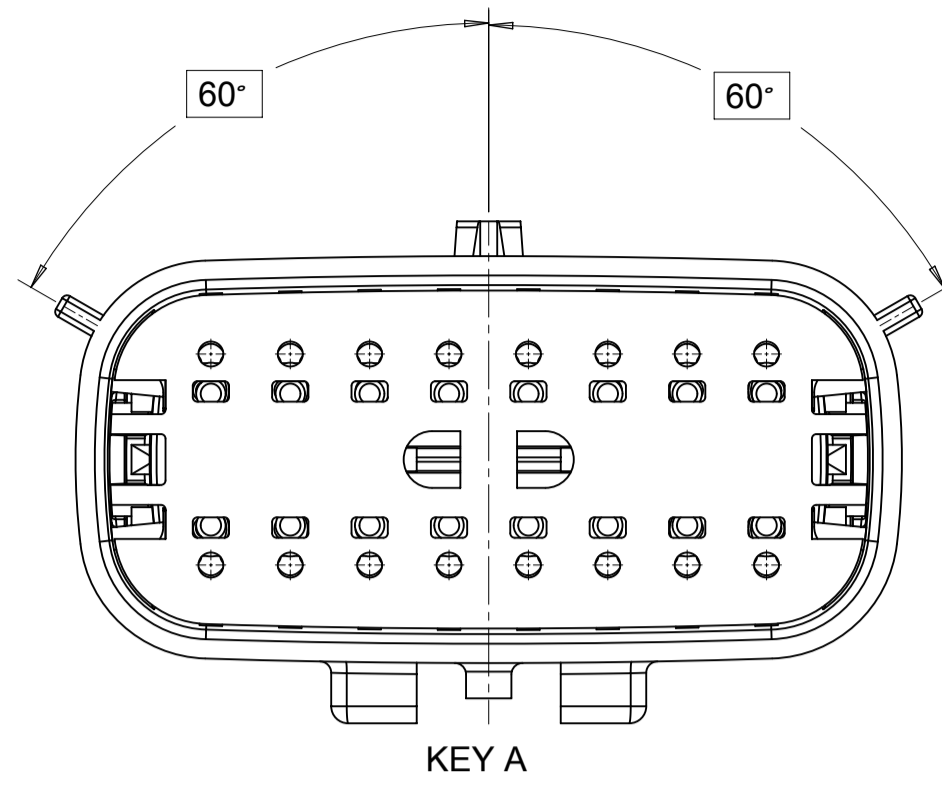
SYMBOLS = 0 = 0 = 0 = 0 = 0 = 0 = 0 = 0 = 0 = 0 = 0	THIS DRAWING CONTAINS INFORMATION THAT IS PROPRIETARY TO MOLEX ELECTRONIC TECHNOLOGIES, LLC AND SHOULD NOT BE USED WITHOUT WRITTEN PERMISSION DIMENSION UNITS: mm SCALE: 3:1	CURRENT REV DESC: EC NO: 171650 DRWN: PMANJUNATHAC 2018/01/03 CHK'D: MVANSLAMBROU 2018/02/16 APPR: MVANSLAMBROU 2018/02/16	 MX150 BLADE DUAL ROW SEALED ASSEMBLY MAT SEAL		
	GENERAL TOLERANCES (UNLESS SPECIFIED) ANGULAR TOL ± 1.0° 4 PLACES ± 3 PLACES ± 2 PLACES ± 0.1 1 PLACE ± 0.2 0 PLACES ±	INITIAL REVISION: DRWN: APROFFITT 2014/04/28 APPR: VKOSHY 2014/05/14			
DRAFT WHERE APPLICABLE MUST REMAIN WITHIN DIMENSIONS 	THIRD ANGLE PROJECTION DRAWING: A1-SIZE SERIES: 33482	MATERIAL NUMBER: _____ CUSTOMER: GENERAL MARKET SHEET NUMBER: 3 OF 11			

SHEET DESCRIPTION
KEY CONFIGURATIONS CONT.

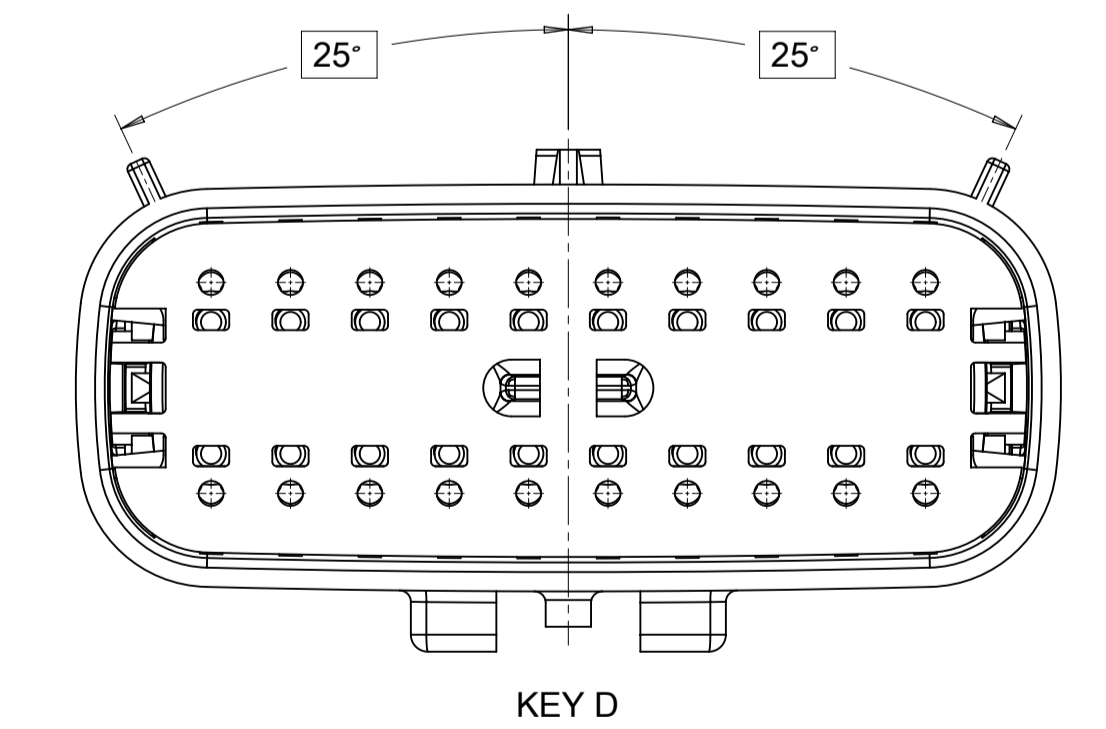
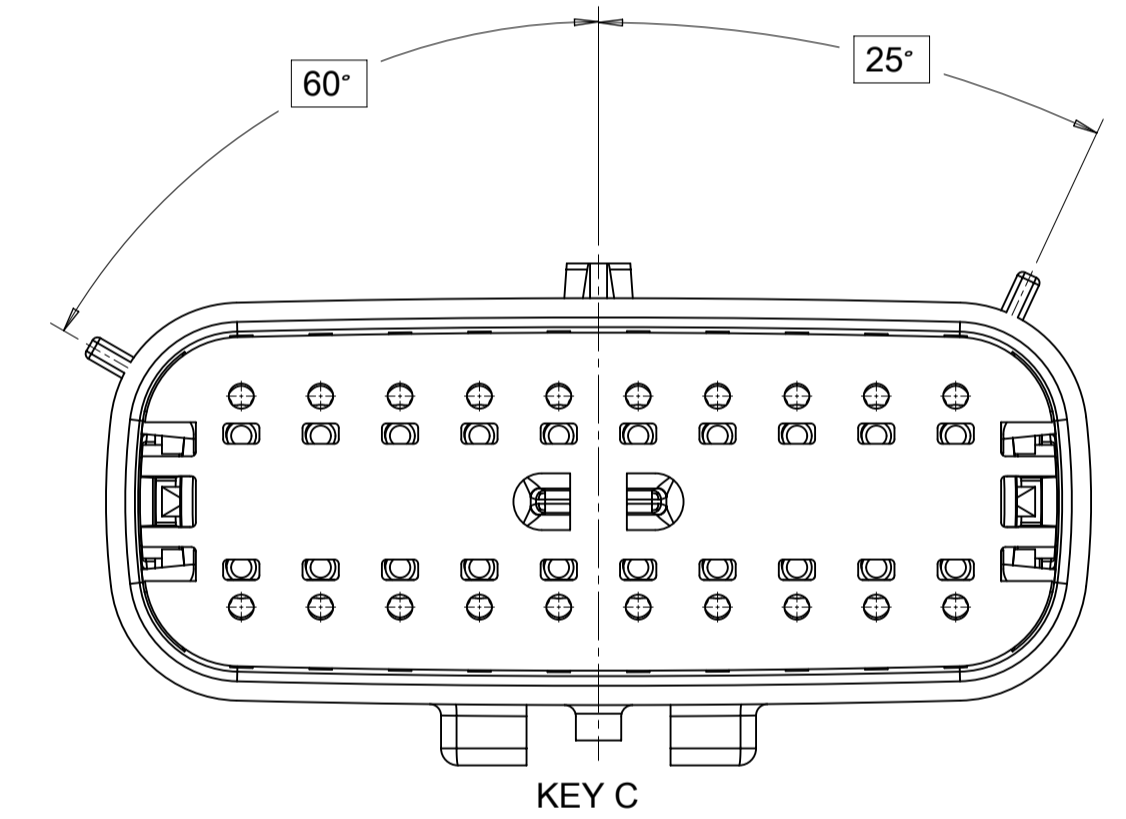
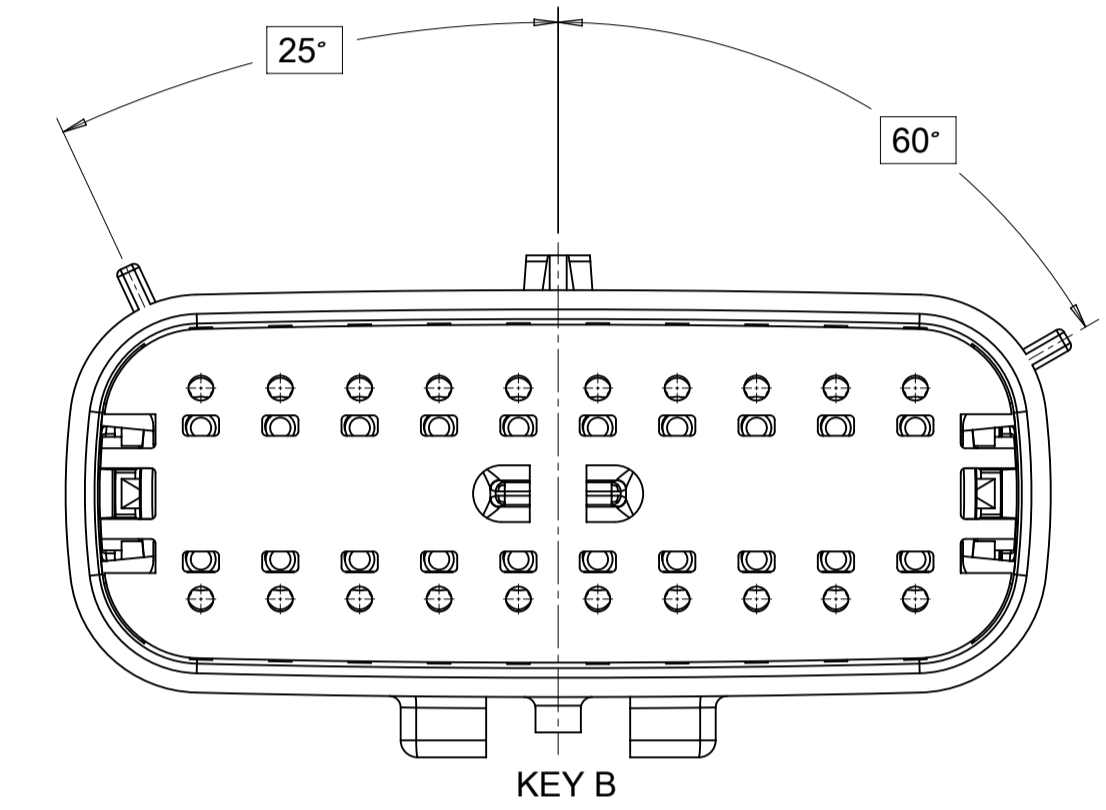
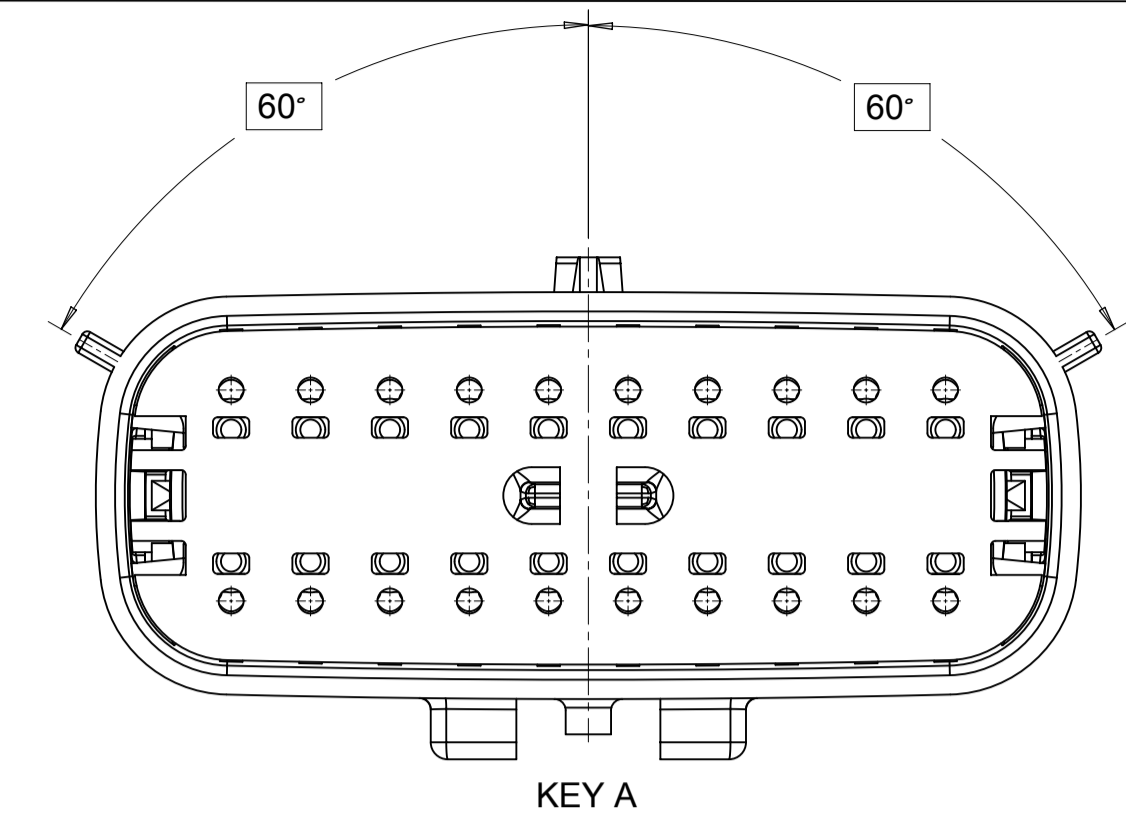
2X6



2X8



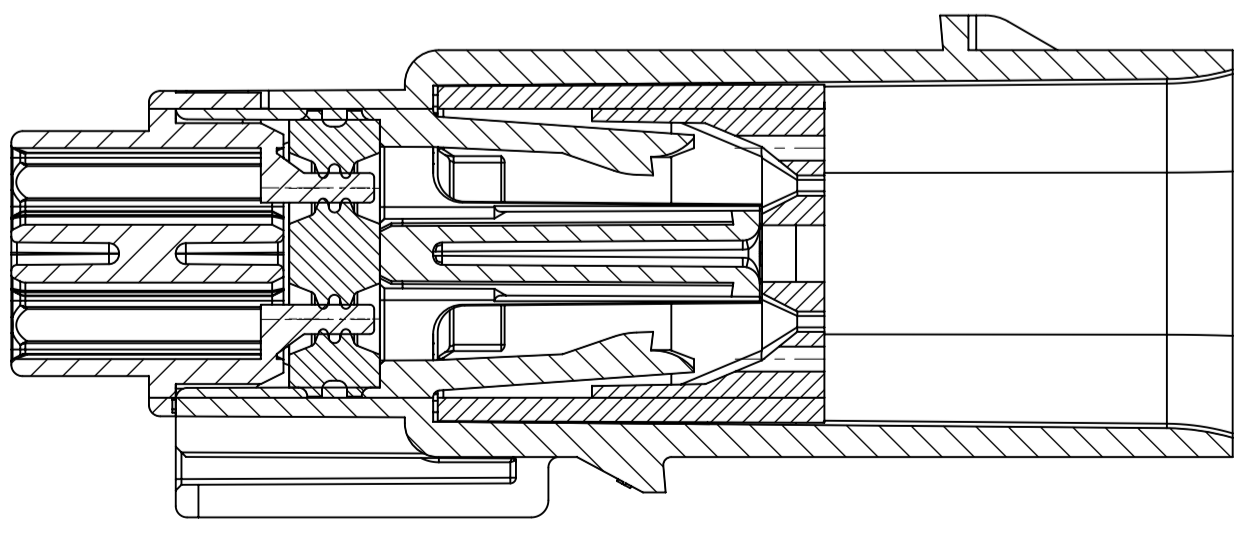
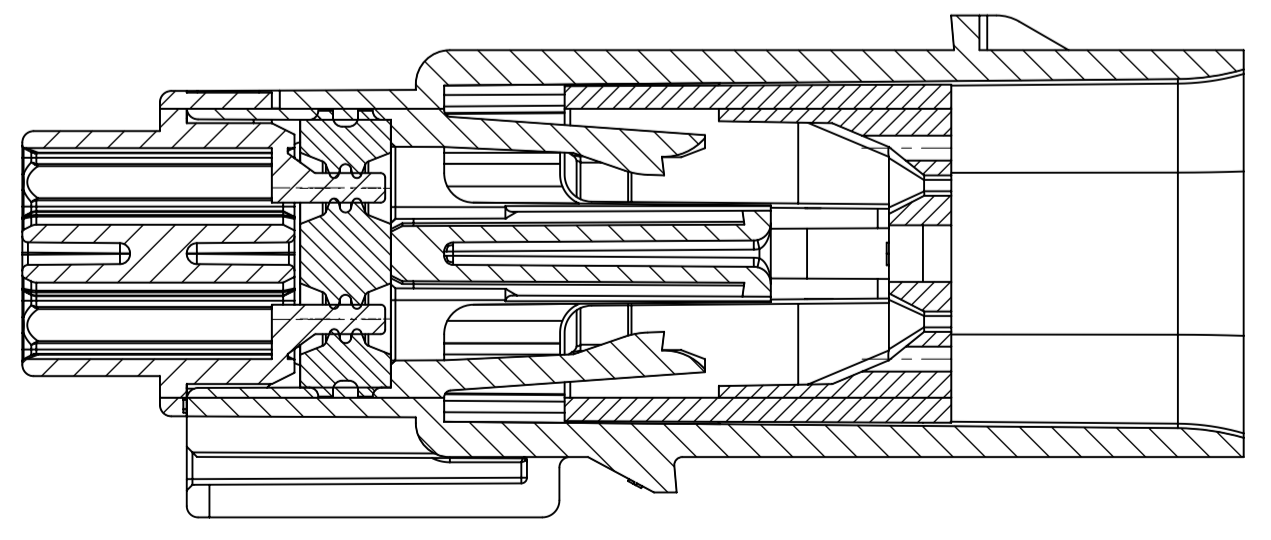
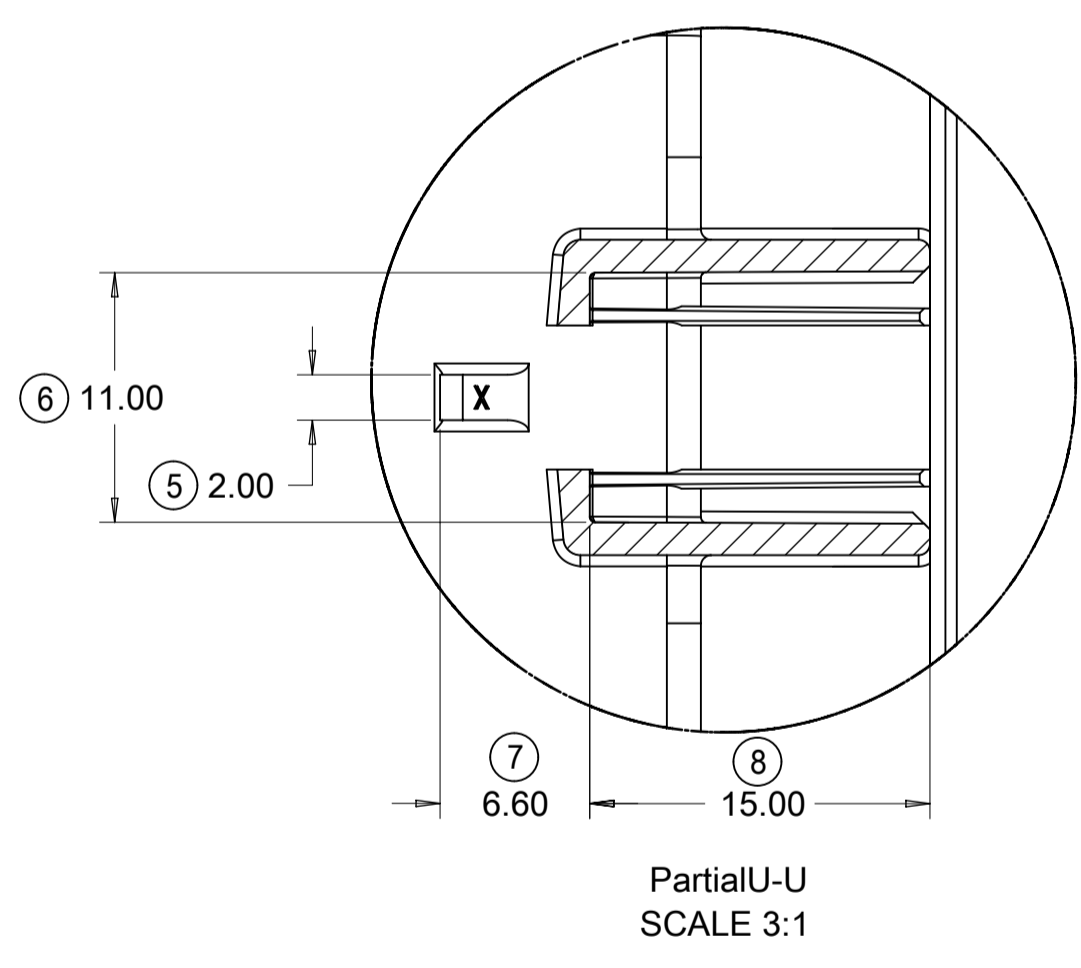
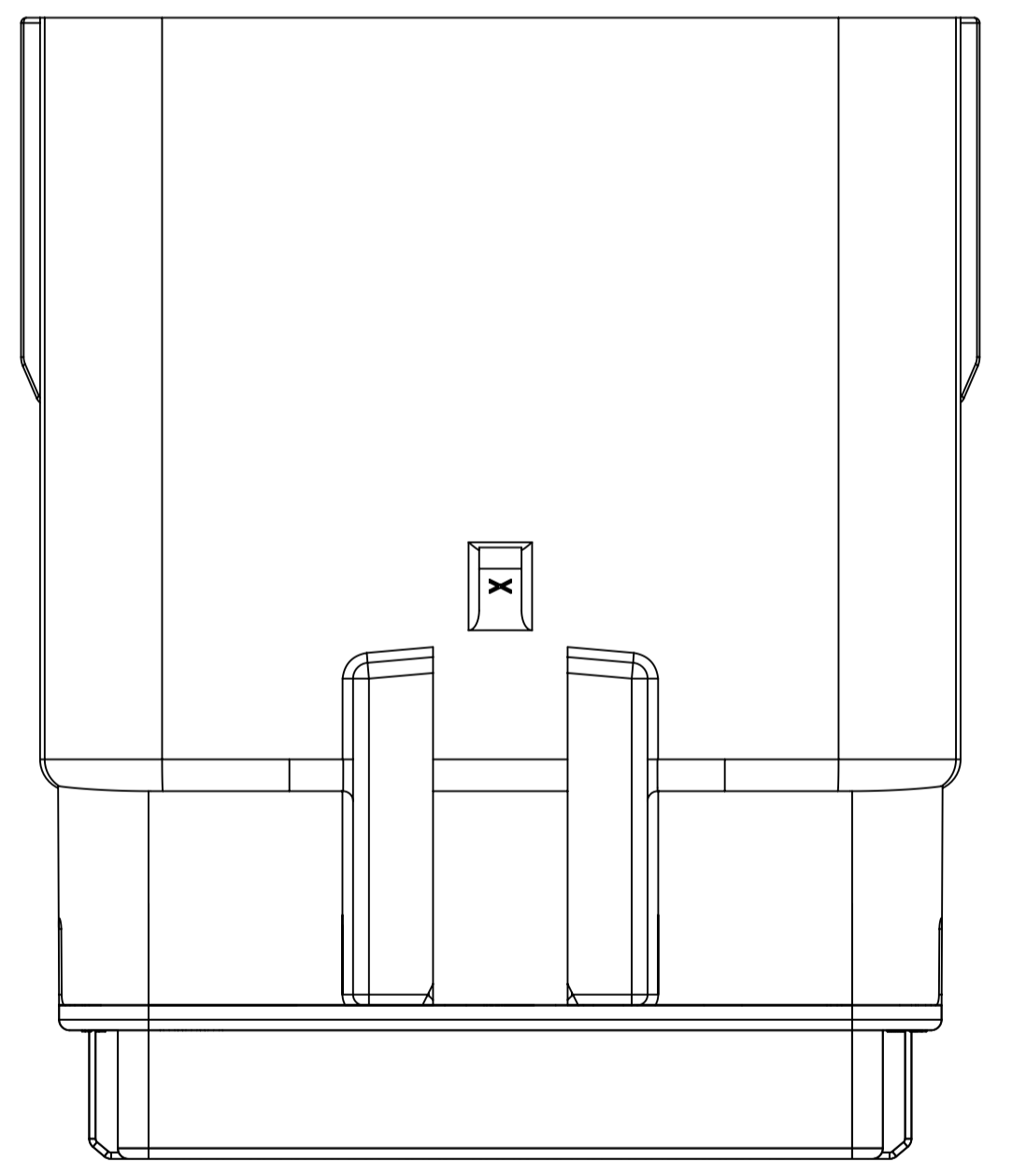
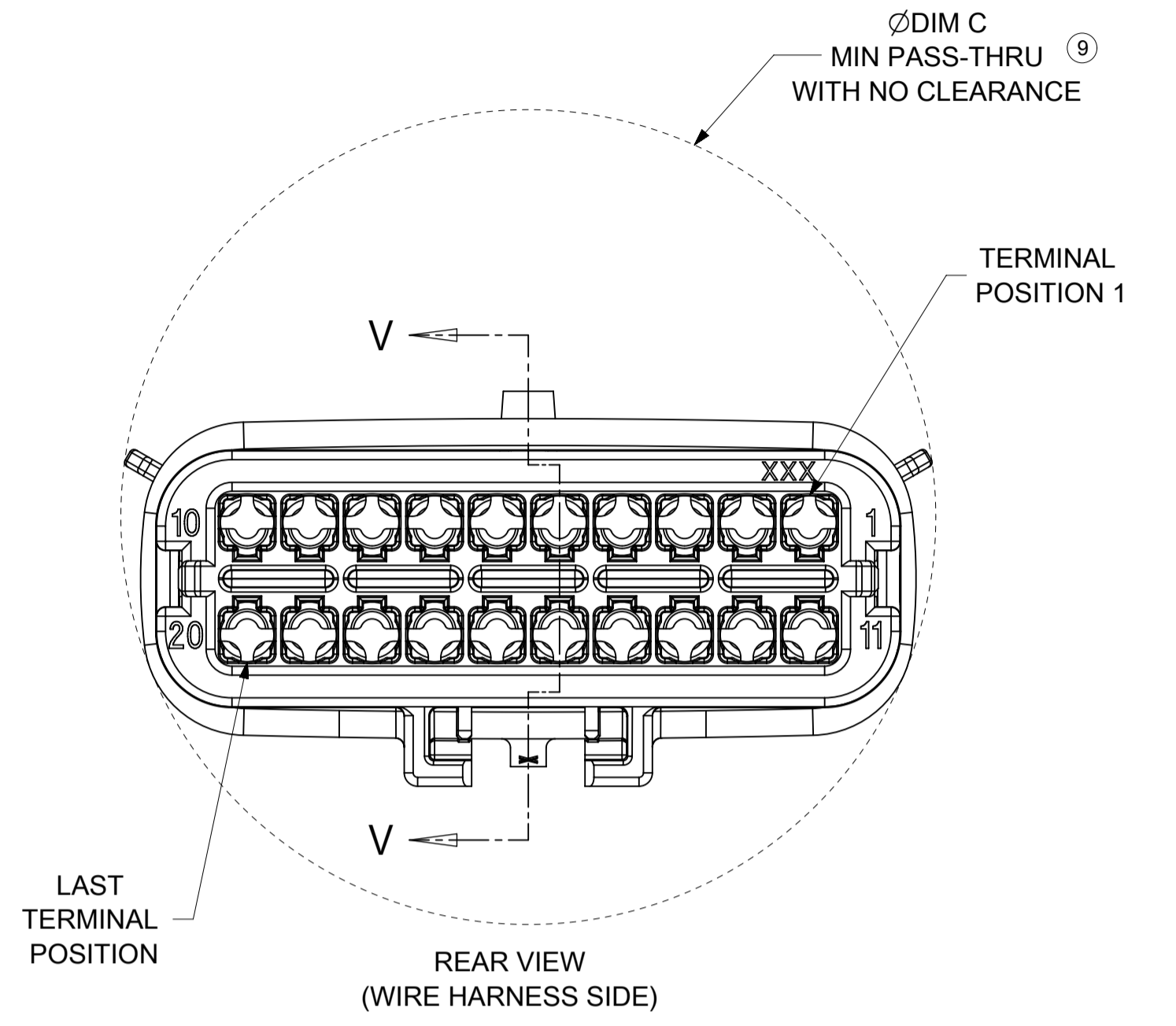
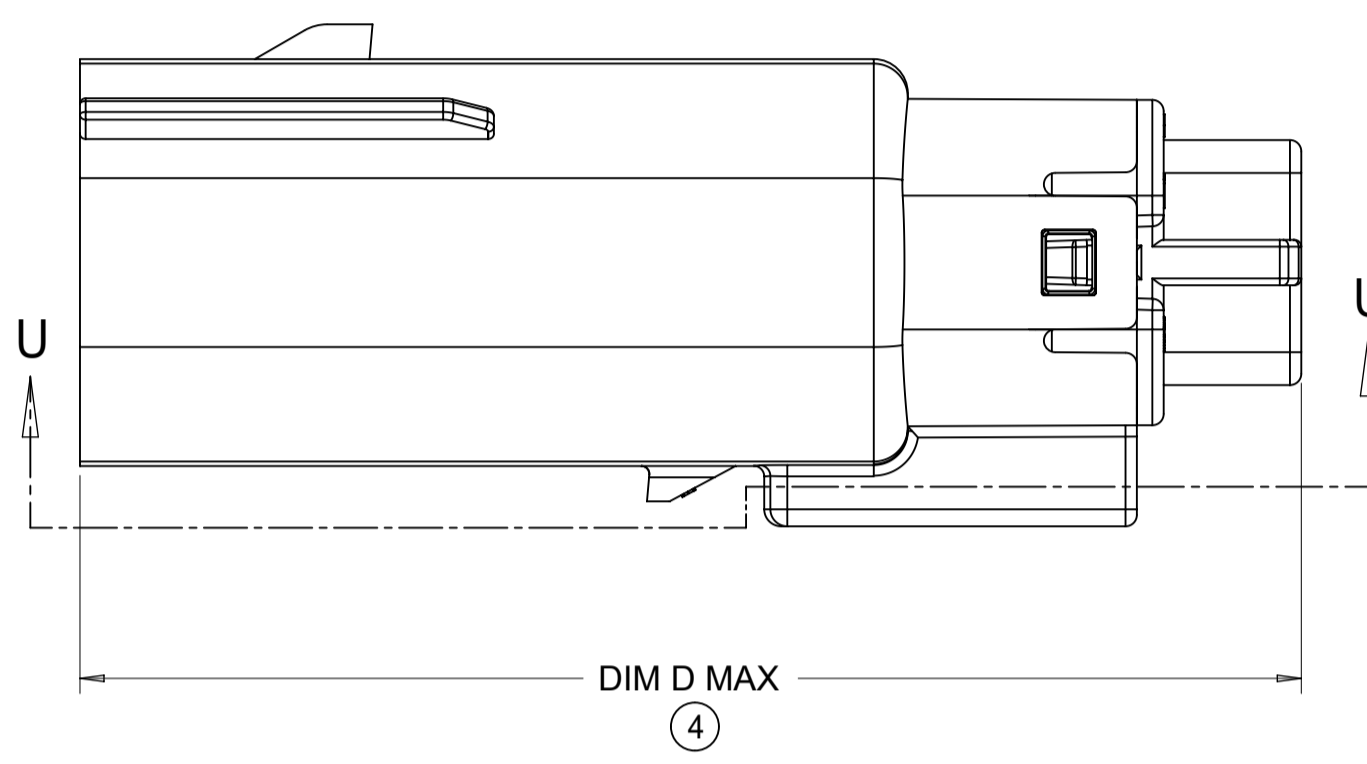
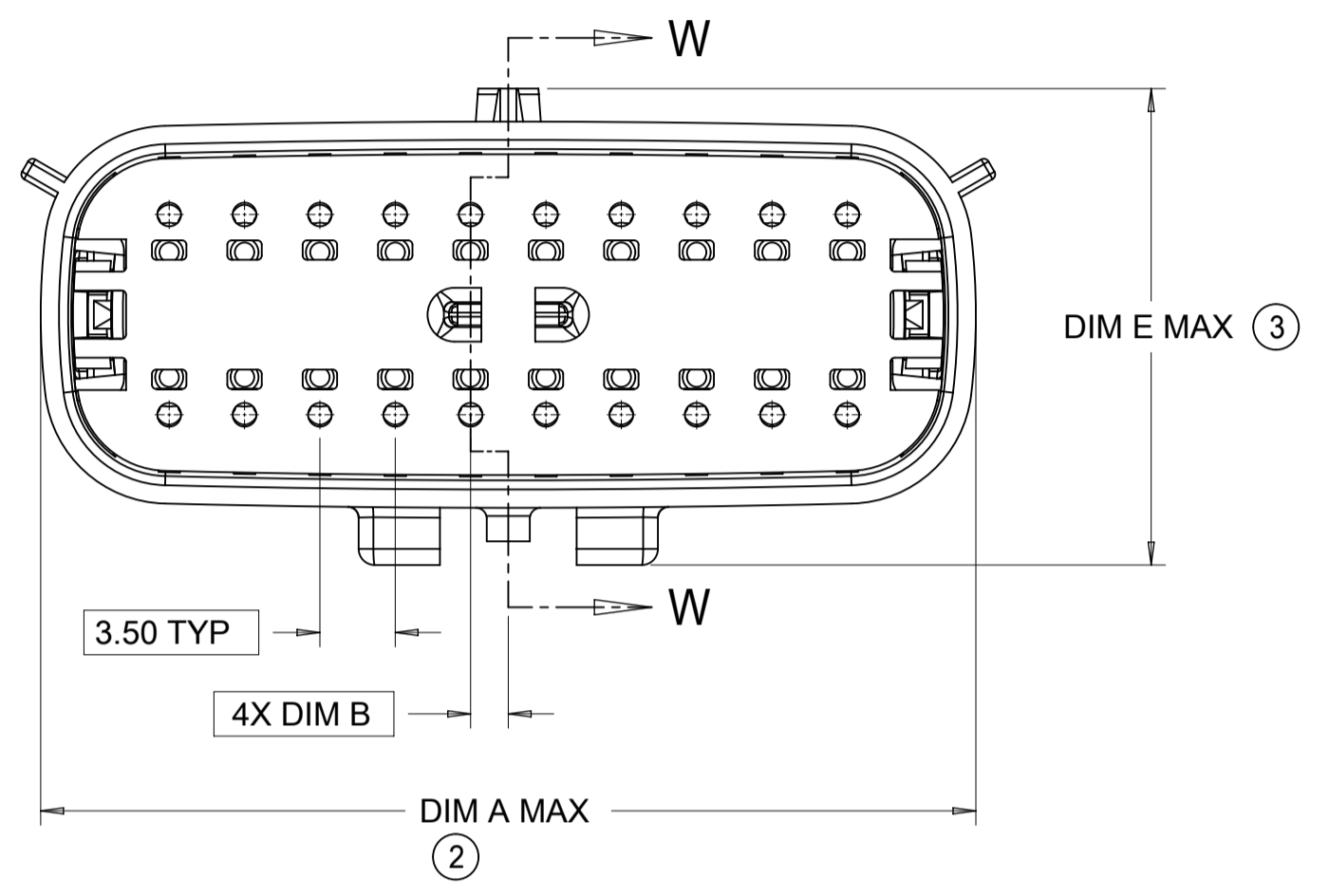
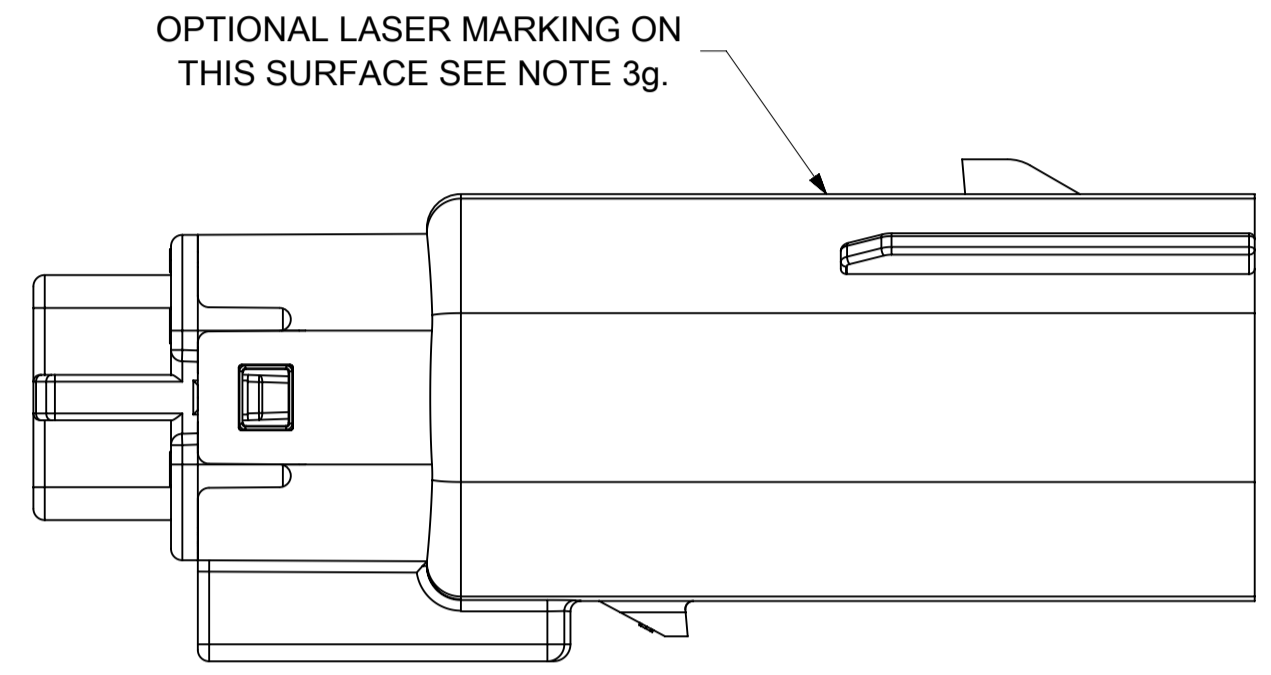
2X10



SYMBOLS	THIS DRAWING CONTAINS INFORMATION THAT IS PROPRIETARY TO MOLEX ELECTRONIC TECHNOLOGIES, LLC AND SHOULD NOT BE USED WITHOUT WRITTEN PERMISSION		CURRENT REV DESC:				
	DIMENSION UNITS	SCALE					
▽ = 0	mm	3:1	GENERAL TOLERANCES (UNLESS SPECIFIED)	CHK'D: MVANSLAMBROU 2018/02/16	DUAL ROW SEALED ASSEMBLY MAT SEAL		
▽ = 0	ANGULAR TOL ± 1.0°		APPR: MVANSLAMBROU 2018/02/16	INITIAL REVISION:		PRODUCT CUSTOMER DRAWING	
▽ = 0	4 PLACES ±		DRWN: APROFFITT 2014/04/28	DRWN: APROFFITT 2014/04/28	DOCUMENT NUMBER	DOC TYPE	DOC PART
▽ = 0	3 PLACES ±		APPR: VKOSHY 2014/05/14	APPR: VKOSHY 2014/05/14	SD-33482-0001	PSD	001
▽ = 0	2 PLACES ± 0.1				REVISION		
▽ = 0	1 PLACE ± 0.2				E2		
▽ = 0	0 PLACES ±				MATERIAL NUMBER	CUSTOMER	SHEET NUMBER
▽ = 0	DRAFT WHERE APPLICABLE MUST REMAIN WITHIN DIMENSIONS		THIRD ANGLE PROJECTION	DRAWING	33482	GENERAL MARKET	4 OF 11
▽ = 0							

SHEET DESCRIPTION	
BLADE SEALED ASSEMBLY	

DESCRIPTION	CHARTED DIMENSION				
	A	B	C	D	E
2X2	15.54	1.75	24.40	54.45	22.23
2X3 STANDARD	19.04	3.50	26.21	54.45	22.23
2X3 LENGTHENED	19.04	3.50	26.21	56.45	22.23
2X4	22.54	1.75	27.21	54.45	22.23
2X6	29.54	1.75	32.27	54.45	22.23
2X8	36.54	1.75	38.88	54.45	22.23
2X10	43.64	1.75	45.65	54.45	22.05



PRIMARY LOCK REINFORCEMENT (PLR) SHOWN IN PRE-STAGED POSITION

PRIMARY LOCK REINFORCEMENT (PLR) SHOWN IN FINAL-LOCK POSITION

SECTION W-W

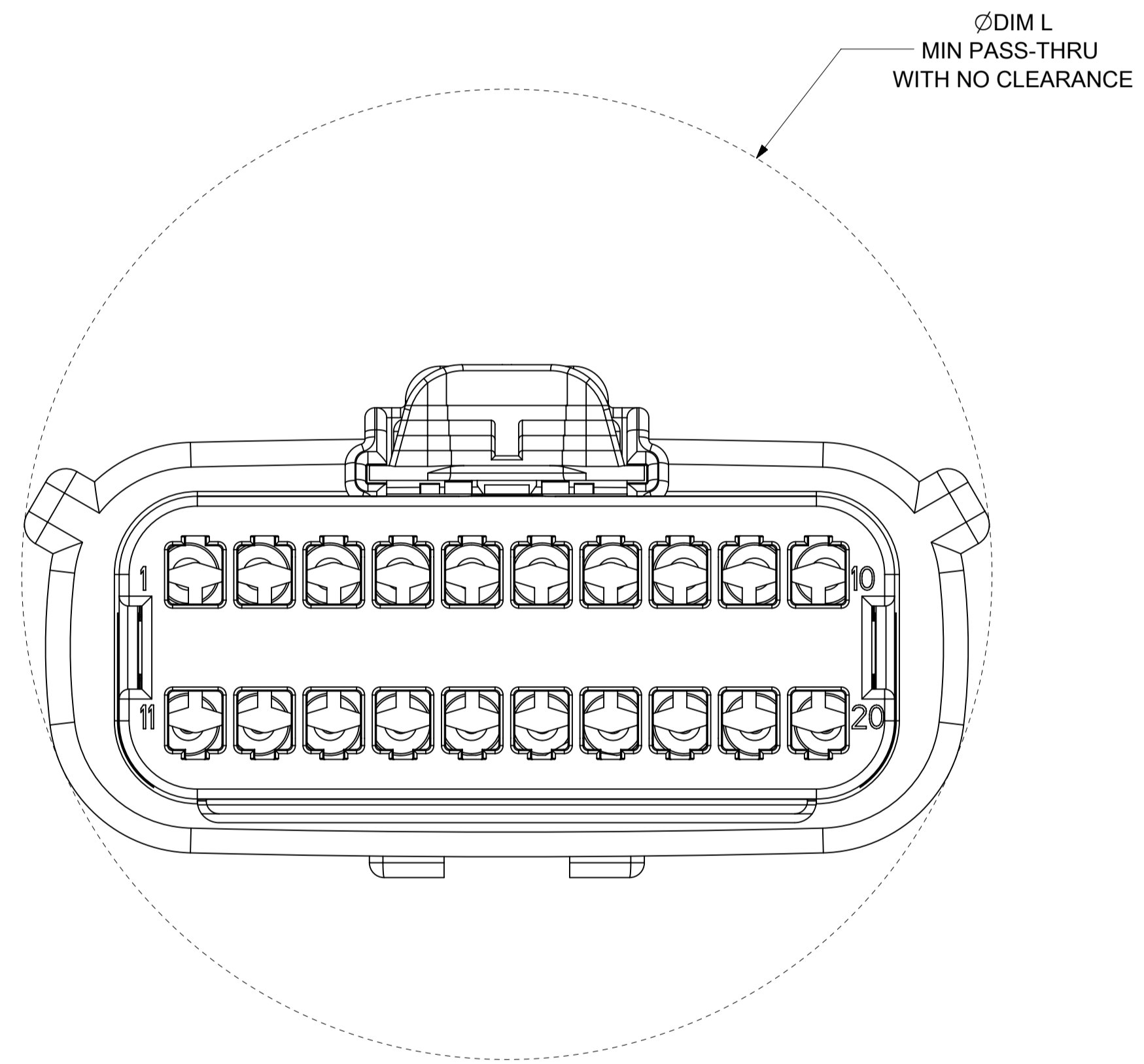
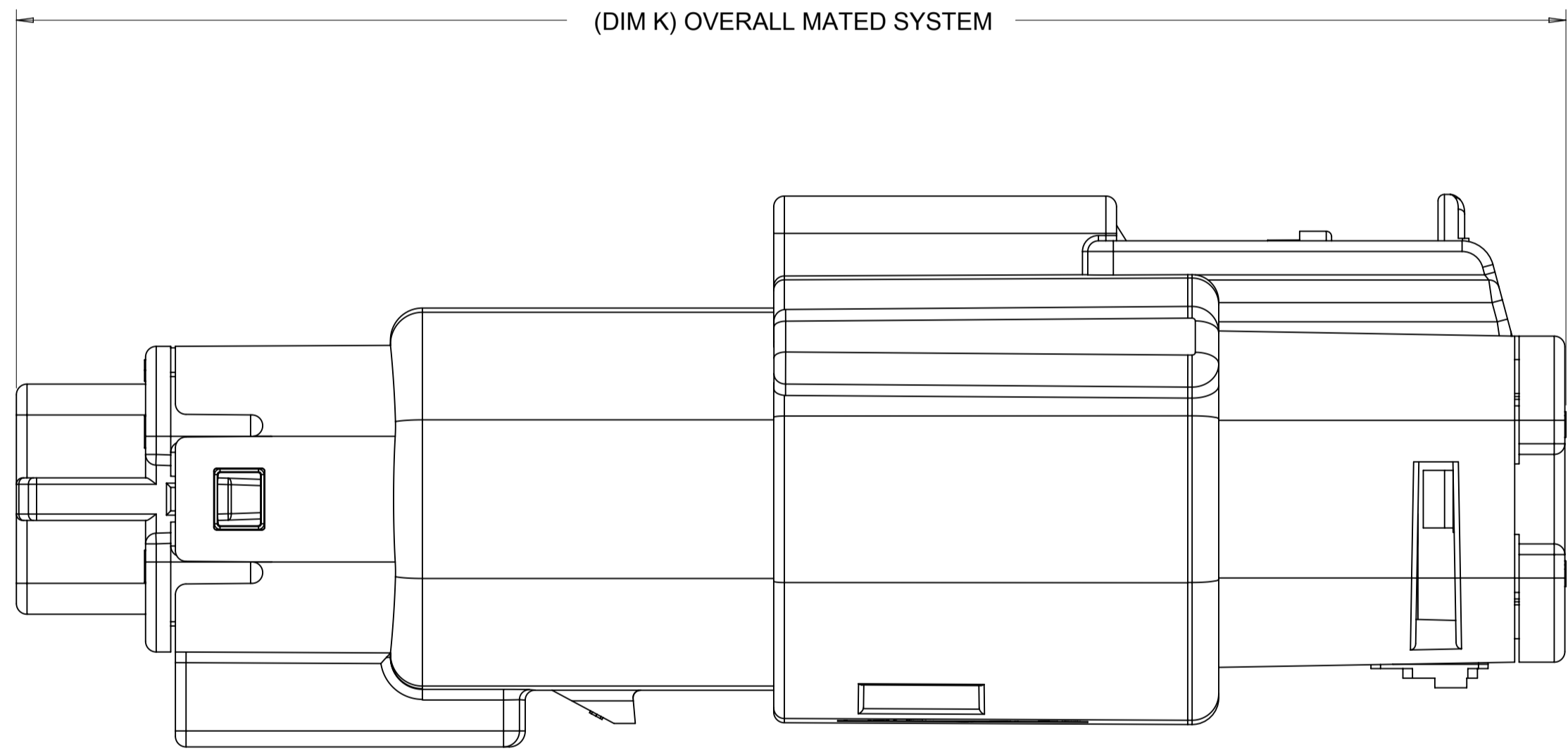
SECTION V-V

SYMBOLS ∇ = 0 ∇ = 0 ∇ = 0 ∇ = 0 ▽ = 0 ▽ = 0 ▽ = 0 ▽ = 0 ▽ = 0 ▽ = 0 ▽ = 0 ▽ = 0 ▽ = 0 ▽ = 0 ▽ = 0 ▽ = 0 ▽ = 0 ▽ = 0 ▽ = 0	THIS DRAWING CONTAINS INFORMATION THAT IS PROPRIETARY TO MOLEX ELECTRONIC TECHNOLOGIES, LLC AND SHOULD NOT BE USED WITHOUT WRITTEN PERMISSION		CURRENT REV DESC:			
	DIMENSION UNITS	SCALE	EC NO: 171650			
	mm	3:1	DRWN: PMANJUNATHAC 2018/01/03		MX150 BLADE	
	GENERAL TOLERANCES (UNLESS SPECIFIED)		CHK'D: MVANSLAMBROU 2018/02/16		DUAL ROW SEALED ASSEMBLY MAT SEAL	
	ANGULAR TOL ± 1.0°		APPR: MVANSLAMBROU 2018/02/16		PRODUCT CUSTOMER DRAWING	
4 PLACES ±		INITIAL REVISION:		DOCUMENT NUMBER		
3 PLACES ±		DRWN: APROFFITT 2014/04/28		SD-33482-0001		
2 PLACES ± 0.1		APPR: VKOSHY 2014/05/14		DOC TYPE DOC PART REVISION		
1 PLACE ± 0.2		THIRD ANGLE PROJECTION		PSD 001 E2		
0 PLACES ±		DRAWING		MATERIAL NUMBER		
DRAFT WHERE APPLICABLE MUST REMAIN WITHIN DIMENSIONS		A1-SIZE		CUSTOMER		
		SERIES		GENERAL MARKET		
		33482		SHEET NUMBER		
				5 OF 11		

DOCUMENT STATUS	P1	RELEASE DATE	2018/02/16 22:02:26
-----------------	----	--------------	---------------------

SHEET DESCRIPTION
SYSTEM PACKAGING

CHARTED DIMENSION				
CKT	BLADE CONFIGURATION	RECEPTACLE CONFIGURATION	DIMENSIONS	
			K	L
2X2	STANDARD	W/O CLIPSLOT	72.78	28.00
		W/ CLIPSLOT	72.78	28.50
		LENGTHENED	77.21	28.00
2X3	STANDARD	W/O CLIPSLOT	72.78	28.00
		W/ CLIPSLOT		30.50
	LENGTHENED	W/O CLIPSLOT	74.79	28.00
		W/ CLIPSLOT		30.50
2X4	STANDARD	W/O CLIPSLOT	72.78	29.50
		W/ CLIPSLOT		31.50
2X6	STANDARD	W/O CLIPSLOT	72.79	35.58
		W/ CLIPSLOT		
2X8	STANDARD	W/O CLIPSLOT	72.67	42.25
		W/ CLIPSLOT		
2X10	STANDARD	STANDARD	72.78	49.05



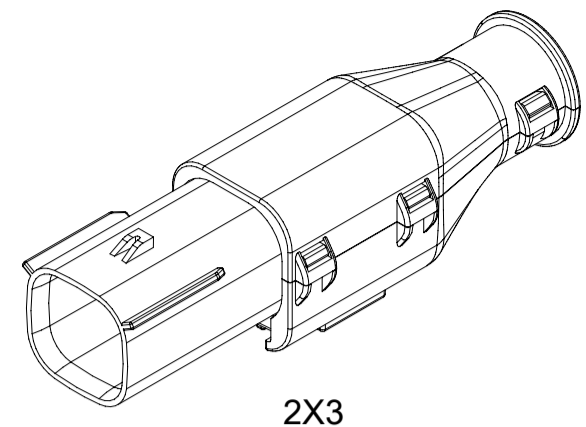
SYMBOLS ▽ = 0 ▽ = 0 ▽ = 0 ▽ = 0 ▽ = 0 ▽ = 0 ▽ = 0 ▽ = 0 ▽ = 0 ▽ = 0	THIS DRAWING CONTAINS INFORMATION THAT IS PROPRIETARY TO MOLEX ELECTRONIC TECHNOLOGIES, LLC AND SHOULD NOT BE USED WITHOUT WRITTEN PERMISSION	DIMENSION UNITS	SCALE	CURRENT REV DESC:						
	mm	4:1	EC NO: 171650 DRWN: PMANJUNATHAC 2018/01/03 CHK'D: MVANSLAMBROU 2018/02/16 APPR: MVANSLAMBROU 2018/02/16							
	GENERAL TOLERANCES (UNLESS SPECIFIED)				INITIAL REVISION:			DOCUMENT NUMBER		
	ANGULAR TOL ± 1.0°				DRWN: APROFFITT 2014/04/28			SD-33482-0001		
	4 PLACES ±				APPR: VKOSHY 2014/05/14			DOC TYPE DOC PART REVISION		
	3 PLACES ±				DRAFT WHERE APPLICABLE MUST REMAIN WITHIN DIMENSIONS			PSD 001 E2		
	2 PLACES ± 0.1				THIRD ANGLE PROJECTION			MATERIAL NUMBER		
	1 PLACE ± 0.2				DRAWING			CUSTOMER		
	0 PLACES ±				A1-SIZE			GENERAL MARKET		
	0 PLACES ±				SERIES			SHEET NUMBER		
				33482			6 OF 11			

SHEET DESCRIPTION
BACKSHELL NOTES

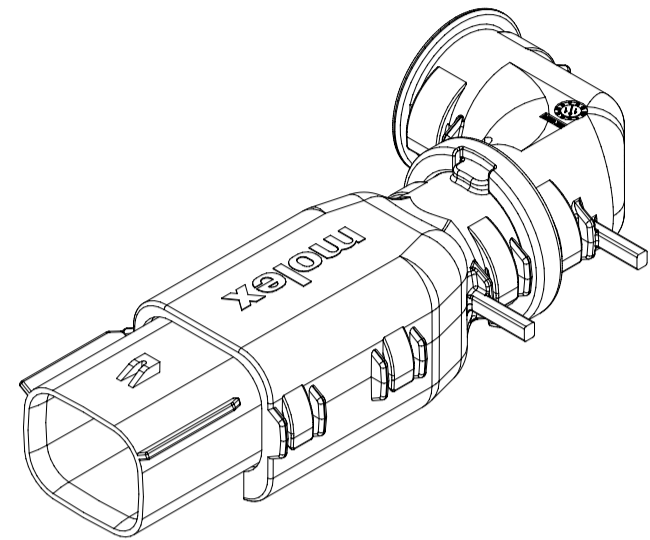
BACKSHELL NOTES: VALID UNLESS OTHERWISE SPECIFIED

1. GENERAL:

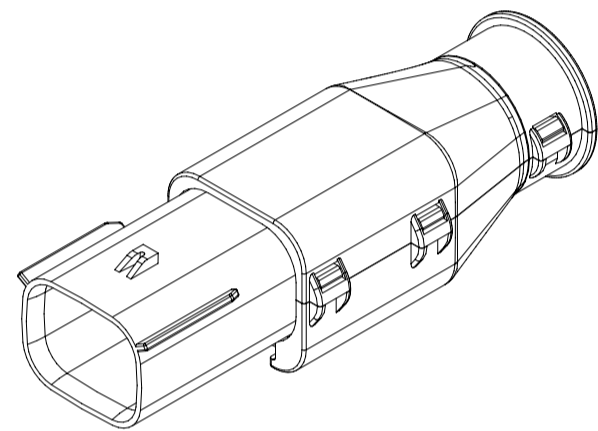
- a. APPLICATION SPECIFICATION SEE: AS-34951-001
- DESIGNED TO MATE WITH BLADE SEALED ASSEMBLY SPECIFIED IN MOLEX DRAWING SD-33482-0001.
- SYSTEM TO BE USED WITH WIRE WITHIN DIAMETER RANGE OF 1.2mm TO 2.69mm.
- COMPONENTS ARE OPTIONAL AND MUST BE PURCHASED SEPERATELY.
- DESIGN IS OWNED BY SCHLEMMER FOR SCHLEMMER BACKSHELL.
- DESIGN IS OWNED BY MOLEX FOR MOLEX BACKSHELL.
- 90° ADAPTOR DESIGN IS OWNED BY MOLEX.
- FOR ADDITIONAL INFORMATION SEE THE BACKSHELL COMPONENT DRAWING SD-34950-0001.



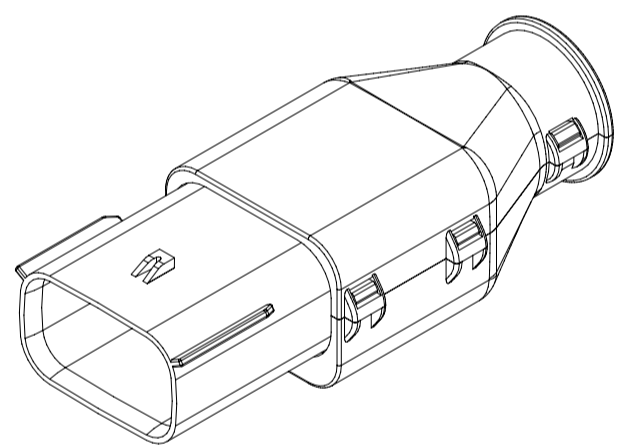
2X3



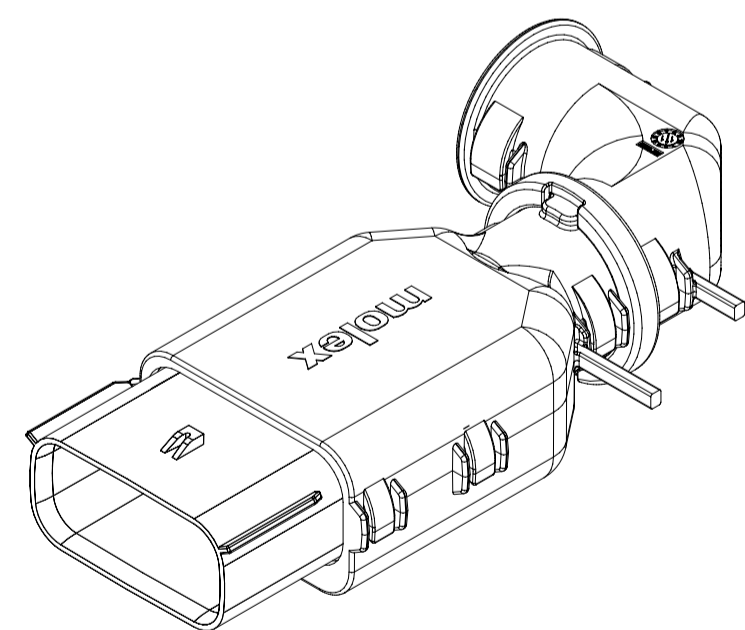
2X4



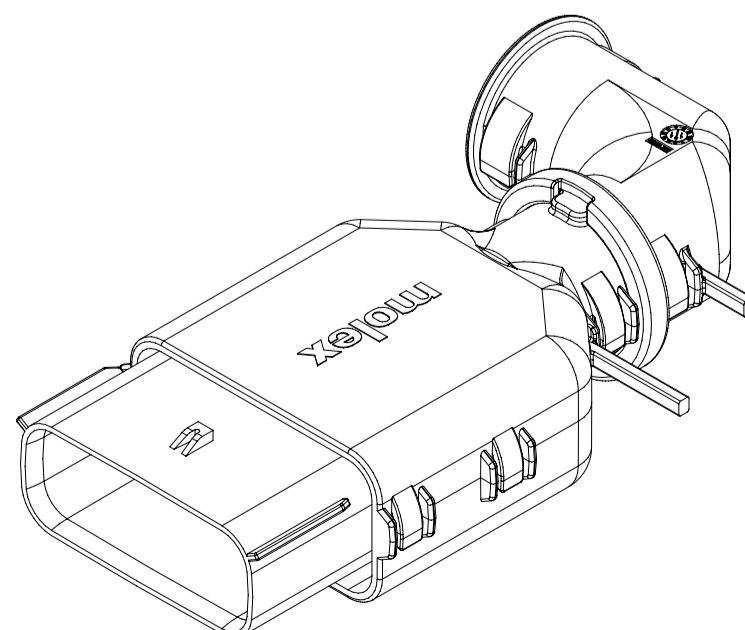
2X4



2X6



2X8



2X10

BACKSHELL CUSTOMER MODEL NUMBER LEGEND

34950-XXXX

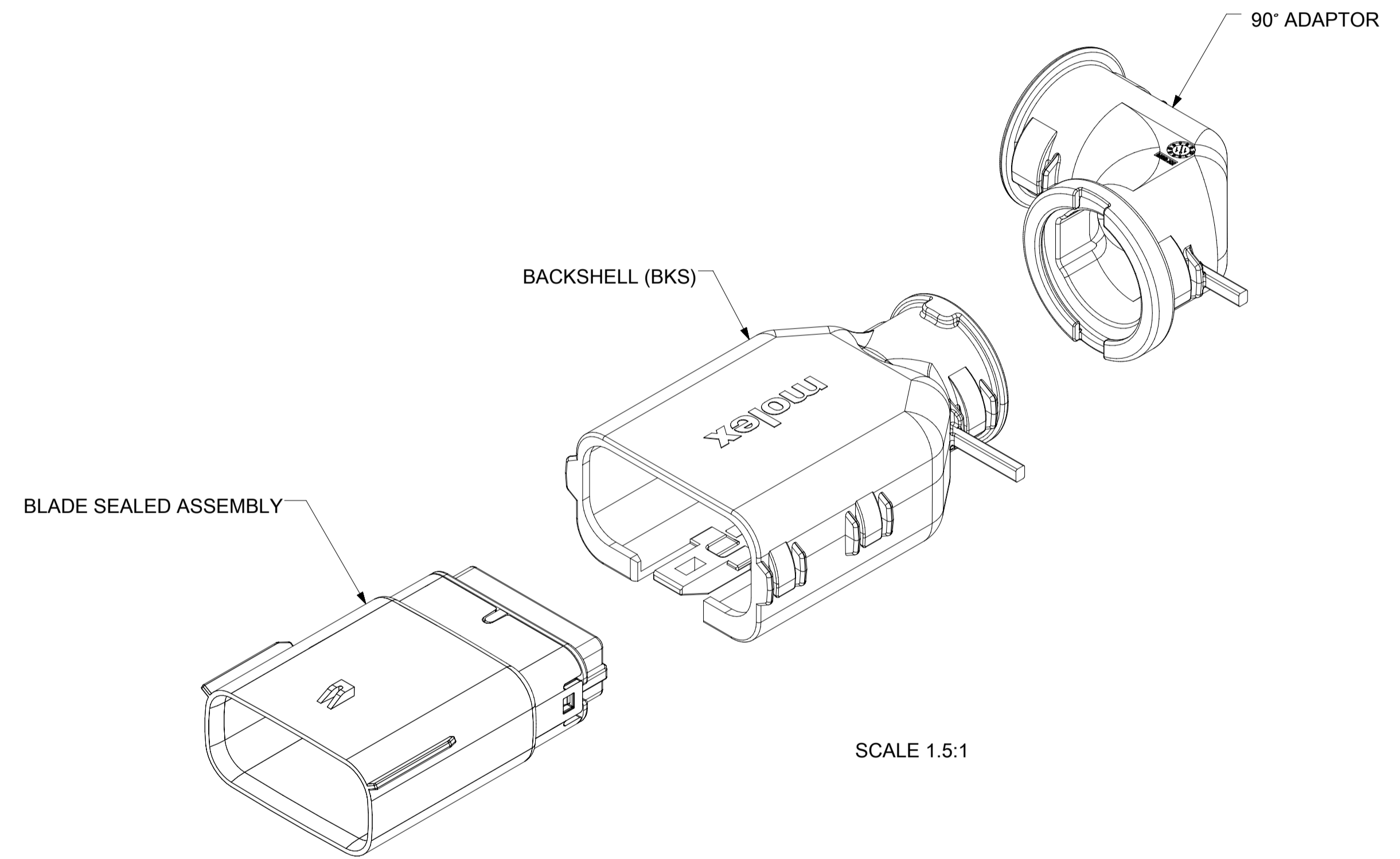
CUSTOMER MODEL COMPONENTS

- 0 - SCHLEMMER BACKSHELL ONLY
- 1 - SCHLEMMER BACKSHELL & MX150 HOUSING KEY A ASSEMBLY
- 2 - SCHLEMMER BACKSHELL & MX150 HOUSING KEY B ASSEMBLY
- 3 - SCHLEMMER BACKSHELL & MX150 HOUSING KEY C ASSEMBLY
- 4 - SCHLEMMER BACKSHELL & MX150 HOUSING KEY D ASSEMBLY
- 5 - MOLEX BACKSHELL ONLY
- 6 - MOLEX BACKSHELL & MX150 HOUSING KEY A ASSEMBLY
- 7 - MOLEX BACKSHELL & MX150 HOUSING KEY B ASSEMBLY
- 8 - MOLEX BACKSHELL & MX150 HOUSING KEY C ASSEMBLY
- 9 - MOLEX BACKSHELL & MX150 HOUSING KEY D ASSEMBLY

BACKSHELL FEATURES

- 1 - WITH RIBS
- 2 - WITHOUT RIBS
- 3 - 90° ADAPTOR

MX150 CIRCUIT SIZE 04, 06, 08, 12, 16, 20



BACKSHELL (BKS)

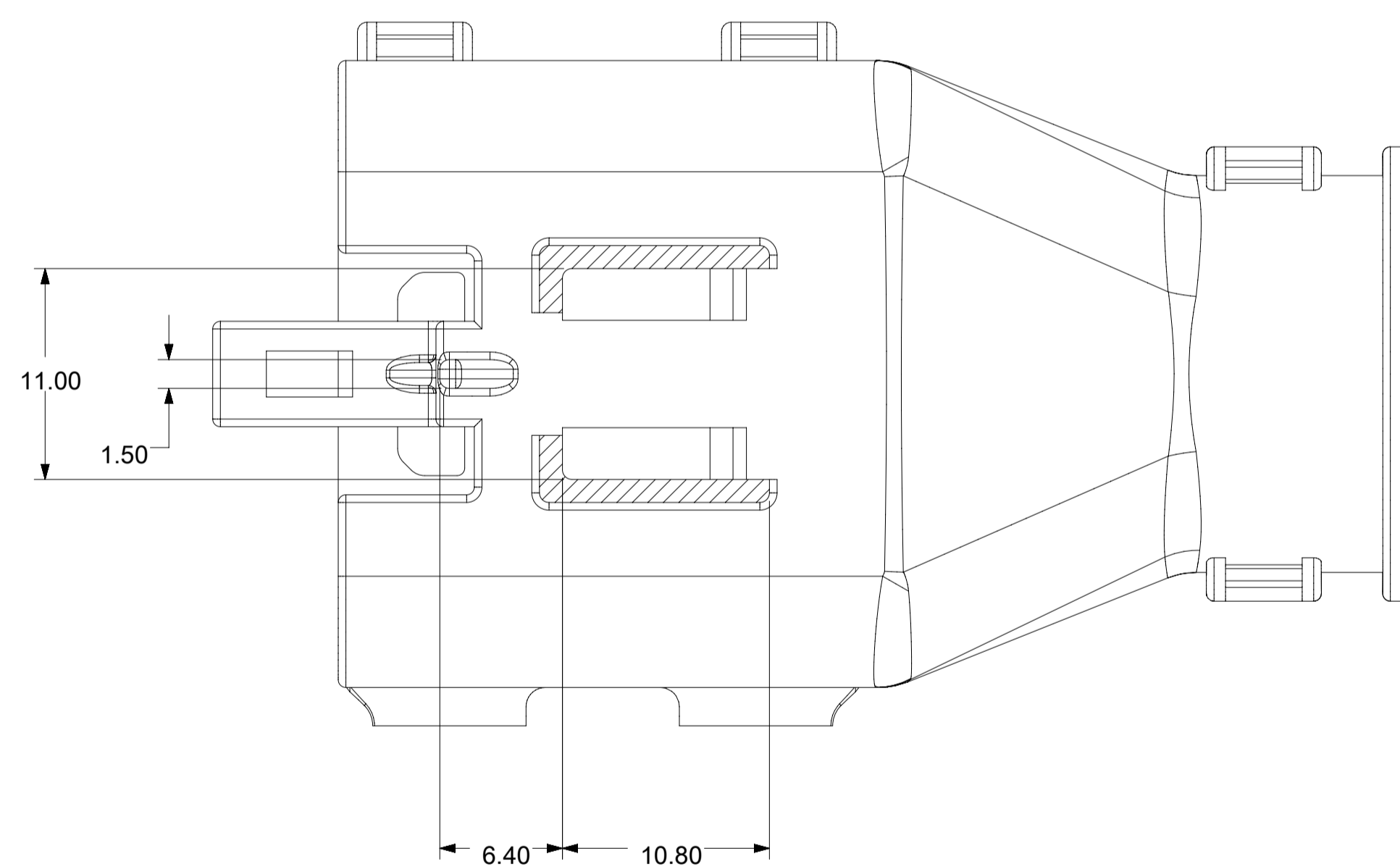
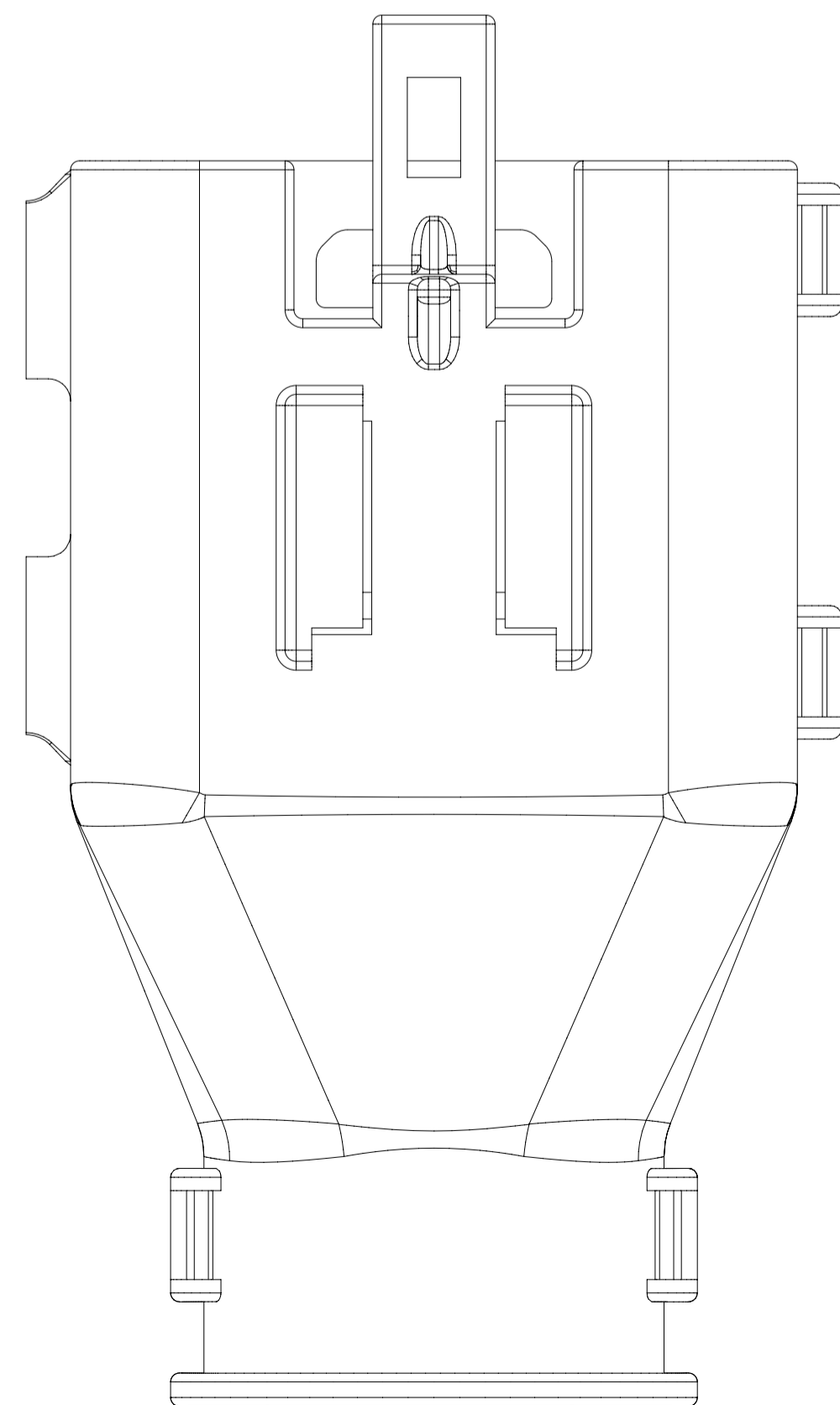
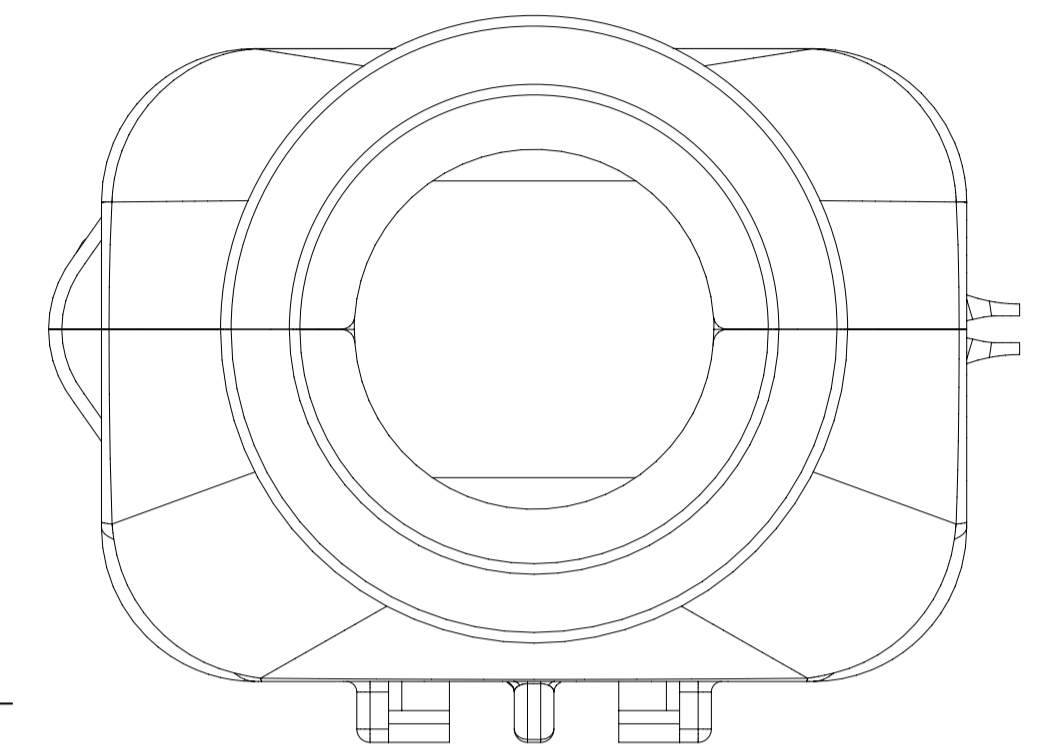
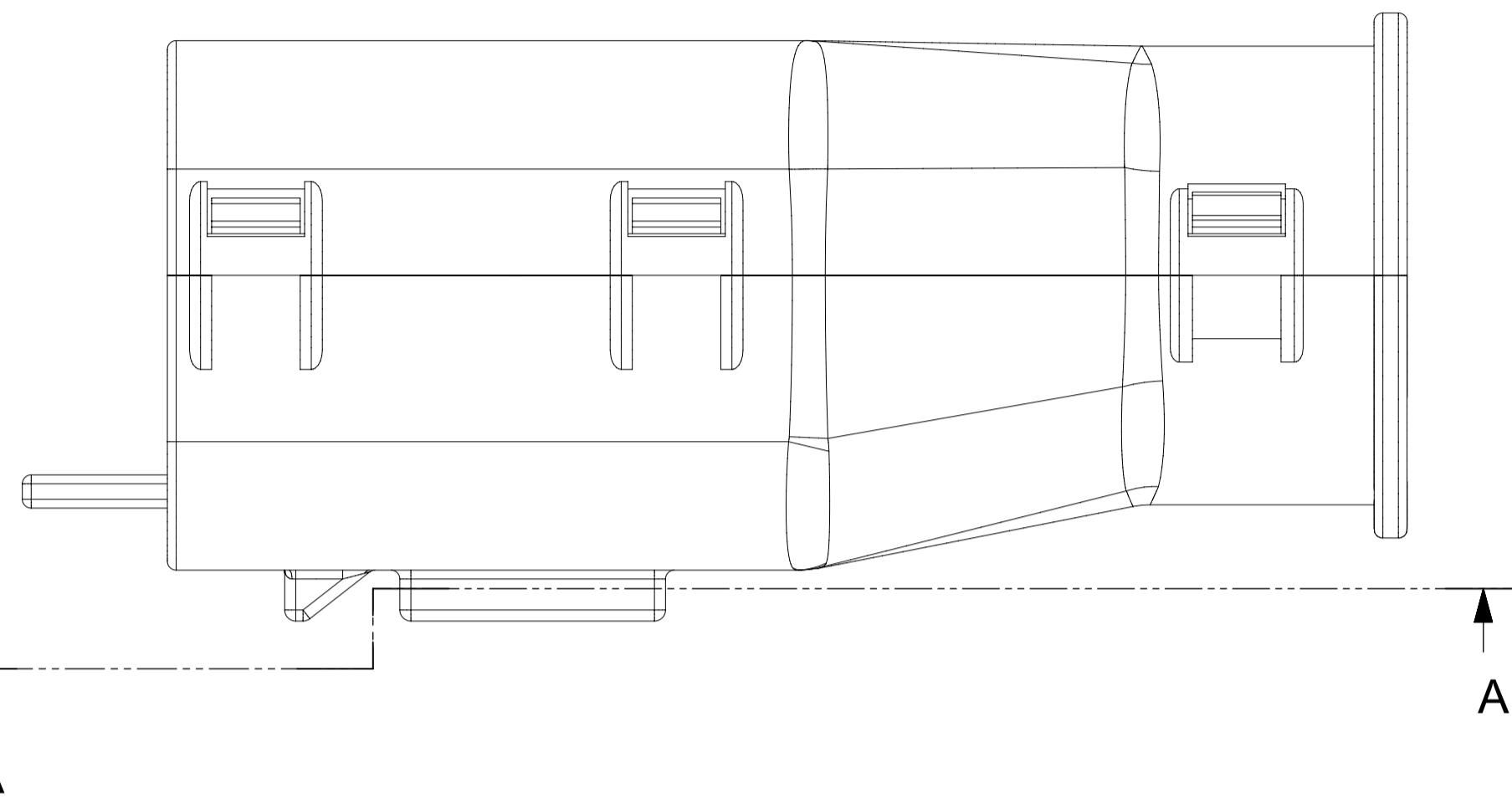
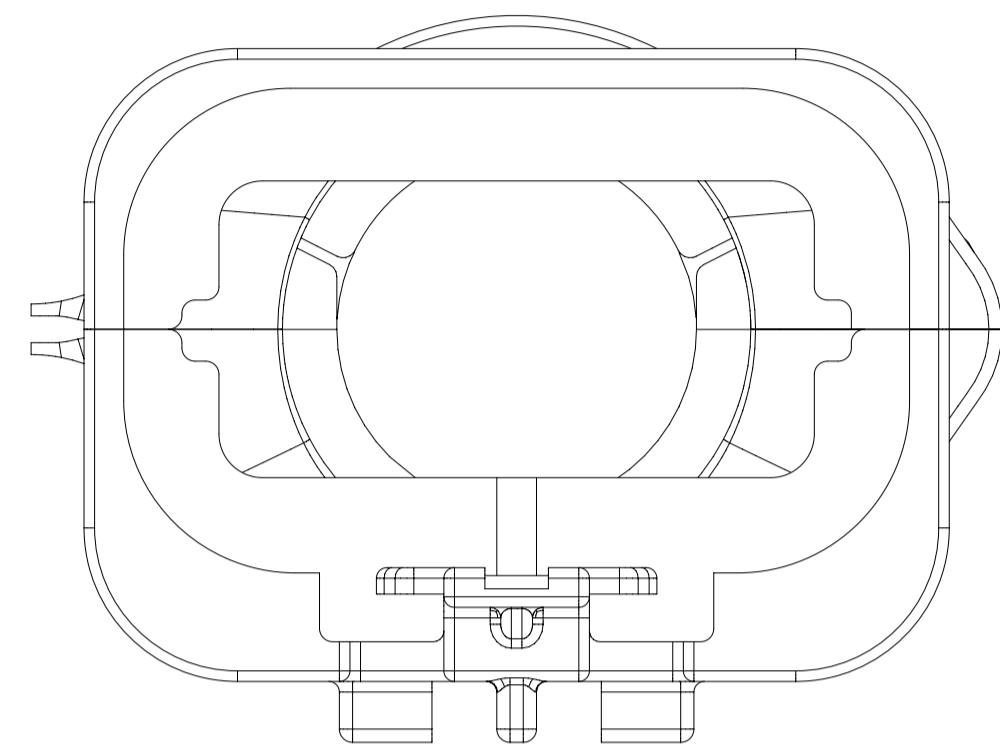
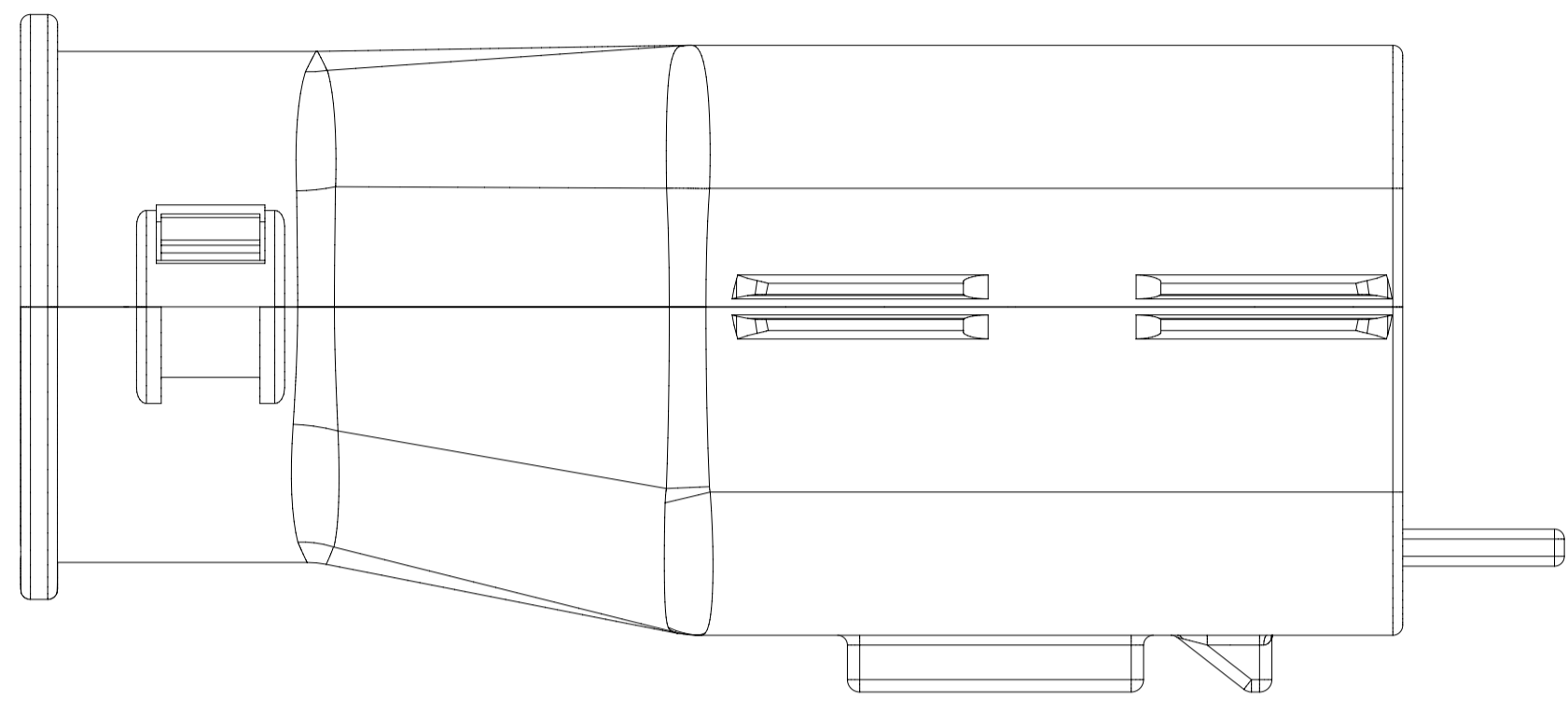
BLADE SEALED ASSEMBLY

90° ADAPTOR

SCALE 1.5:1

SYMBOLS	THIS DRAWING CONTAINS INFORMATION THAT IS PROPRIETARY TO MOLEX ELECTRONIC TECHNOLOGIES, LLC AND SHOULD NOT BE USED WITHOUT WRITTEN PERMISSION		CURRENT REV DESC:					
	DIMENSION UNITS	SCALE						
= 0	mm	1.5:1	EC NO: 171650 DRWN: PMANJUNATHAC 2018/01/03 CHK'D: MVANSLAMBROU 2018/02/16 APPR: MVANSLAMBROU 2018/02/16			MX150 BLADE DUAL ROW SEALED ASSEMBLY MAT SEAL		
= 0	GENERAL TOLERANCES (UNLESS SPECIFIED)							
= 0	ANGULAR TOL ± 1.0°		DRAFT WHERE APPLICABLE MUST REMAIN WITHIN DIMENSIONS			MATERIAL NUMBER: 33482 CUSTOMER: GENERAL MARKET SHEET NUMBER: 7 OF 11		
= 0	4 PLACES ±							
= 0	3 PLACES ±		DRAWING: A1-SIZE SERIES: 33482			GENERAL MARKET		
= 0	2 PLACES ± 0.1							
= 0	1 PLACE ± 0.2		7 OF 11			7 OF 11		
= 0	0 PLACES ±							
= 0	0 PLACES ±		7 OF 11			7 OF 11		
= 0	0 PLACES ±							

SHEET DESCRIPTION	
SCHLEMMER BACKSHELL	



SECTION A-A

SYMBOLS = 0 = 0 = 0 = 0 = 0 = 0 = 0 = 0 = 0 = 0	THIS DRAWING CONTAINS INFORMATION THAT IS PROPRIETARY TO MOLEX ELECTRONIC TECHNOLOGIES, LLC AND SHOULD NOT BE USED WITHOUT WRITTEN PERMISSION			
	DIMENSION UNITS mm	SCALE 3.5:1	CURRENT REV DESC:	
	GENERAL TOLERANCES (UNLESS SPECIFIED)		EC NO: 171650	
	ANGULAR TOL ± 1.0°		DRWN: PMANJUNATHAC 2018/01/03	
	4 PLACES ±		CHK'D: MVANSLAMBROU 2018/02/16	
	3 PLACES ±		APPR: MVANSLAMBROU 2018/02/16	
2 PLACES ± 0.1		INITIAL REVISION:		
1 PLACE ± 0.2		DRWN: APROFFITT 2014/04/28		
0 PLACES ±		APPR: VKOSHY 2014/05/14		
DRAFT WHERE APPLICABLE MUST REMAIN WITHIN DIMENSIONS		THIRD ANGLE PROJECTION	DRAWING 	SERIES A1-SIZE
		MATERIAL NUMBER 33482	CUSTOMER GENERAL MARKET	SHEET NUMBER 8 OF 11

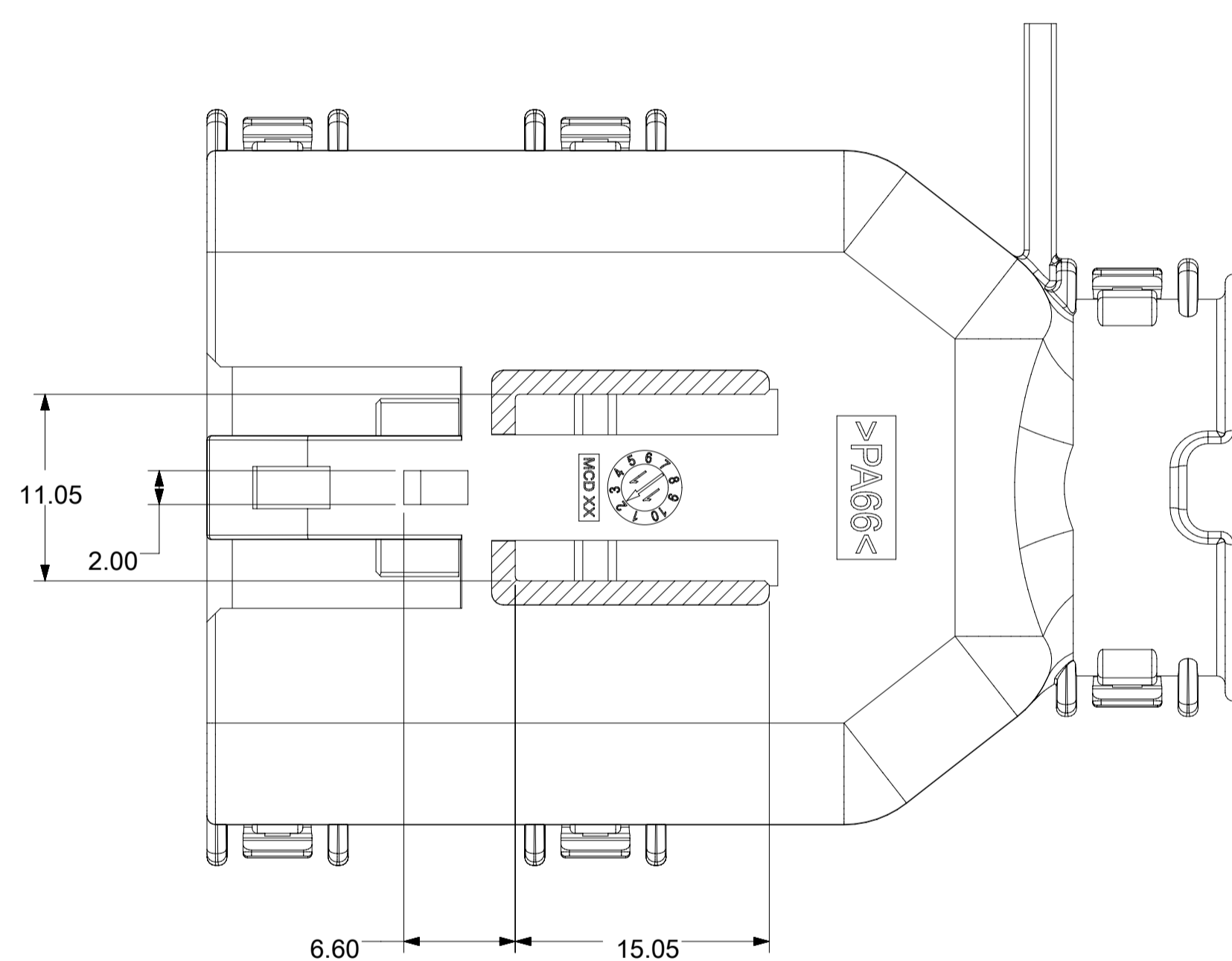
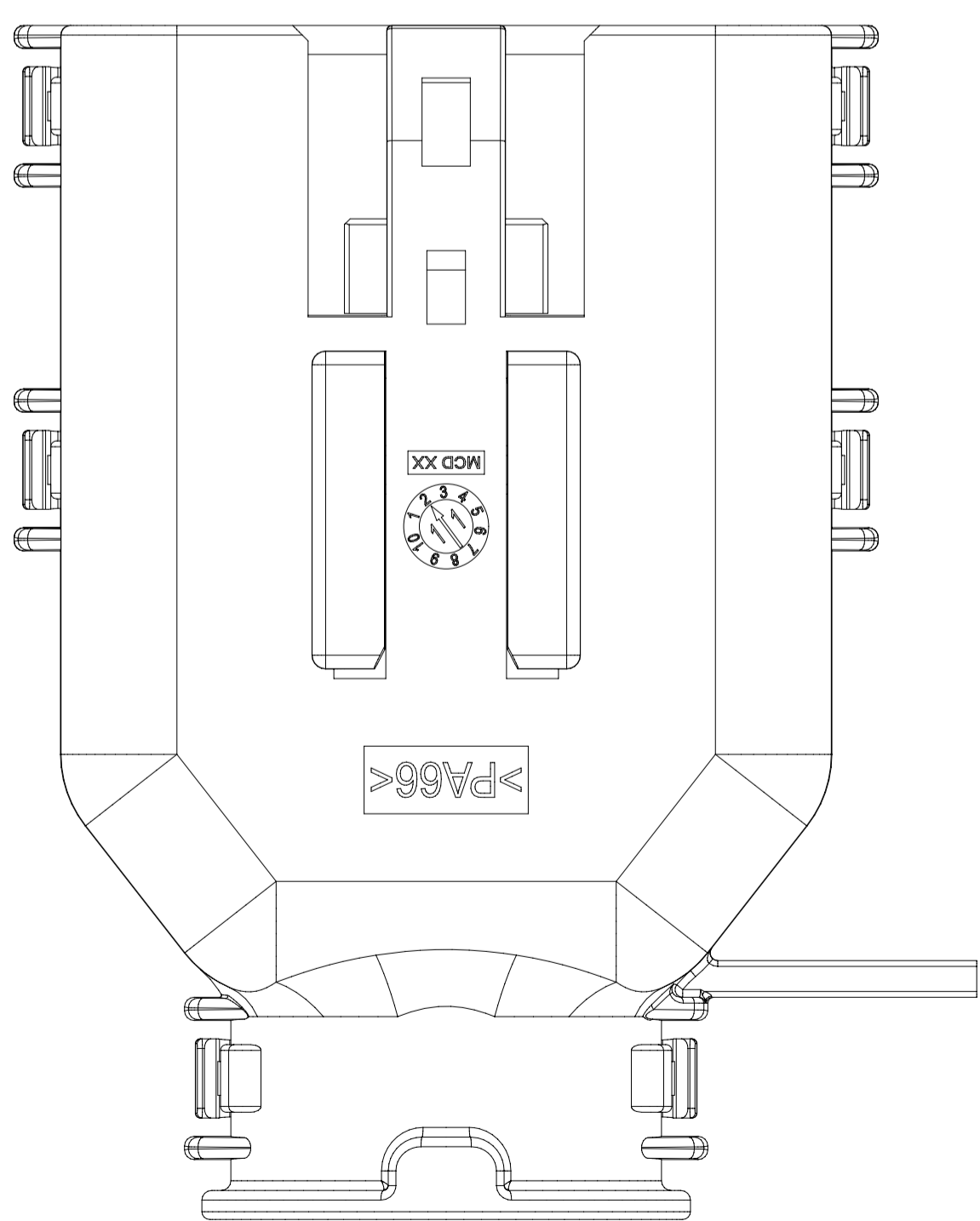
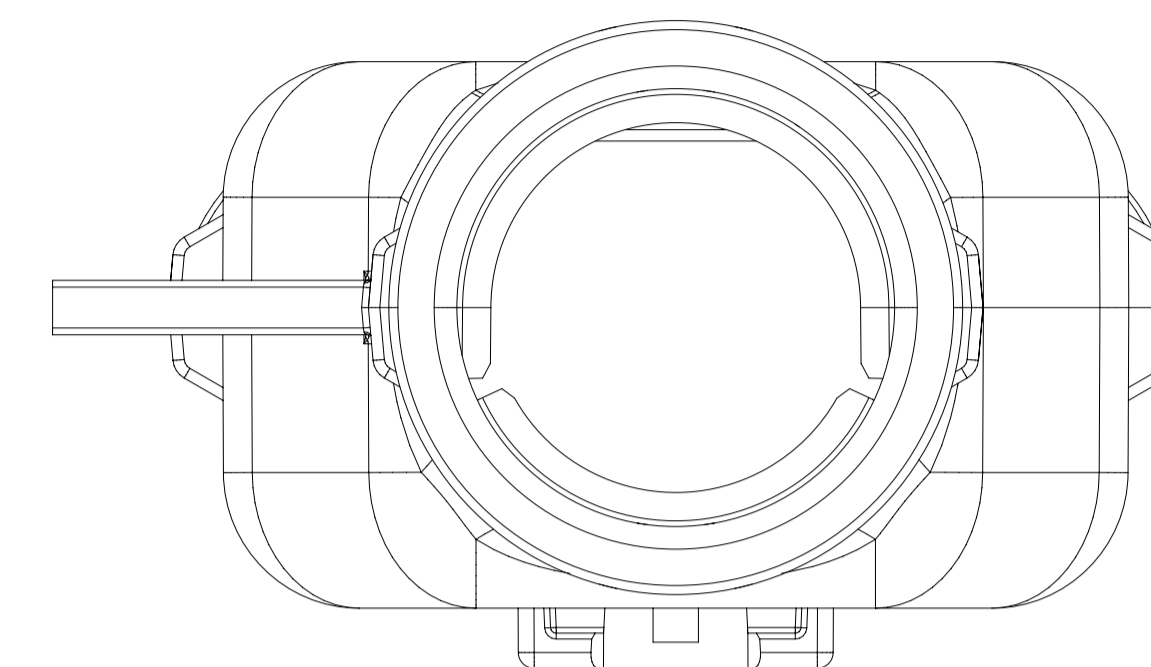
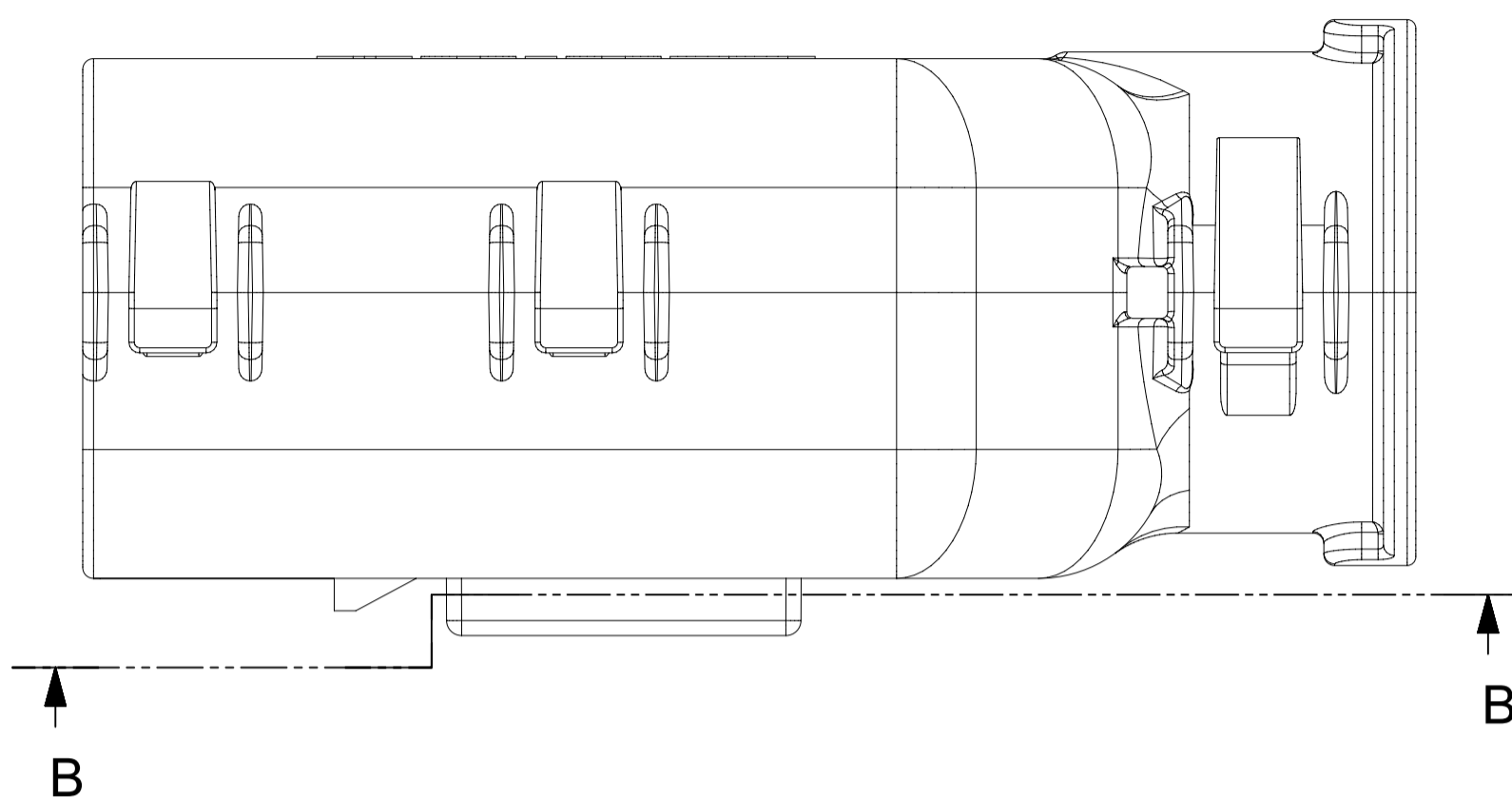
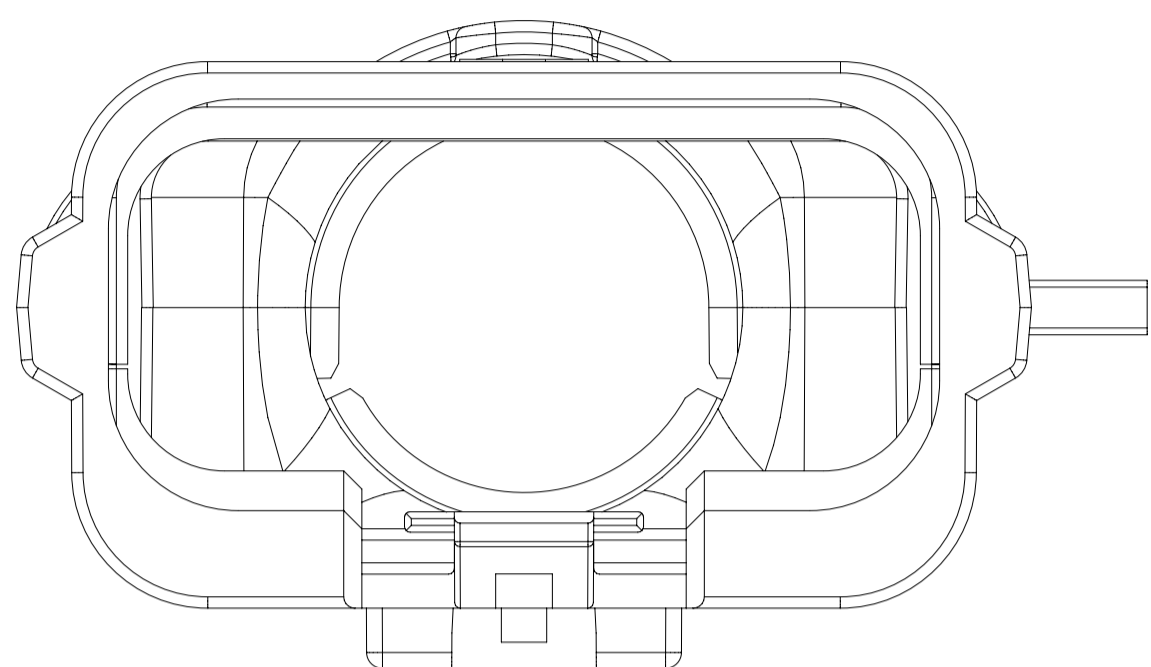
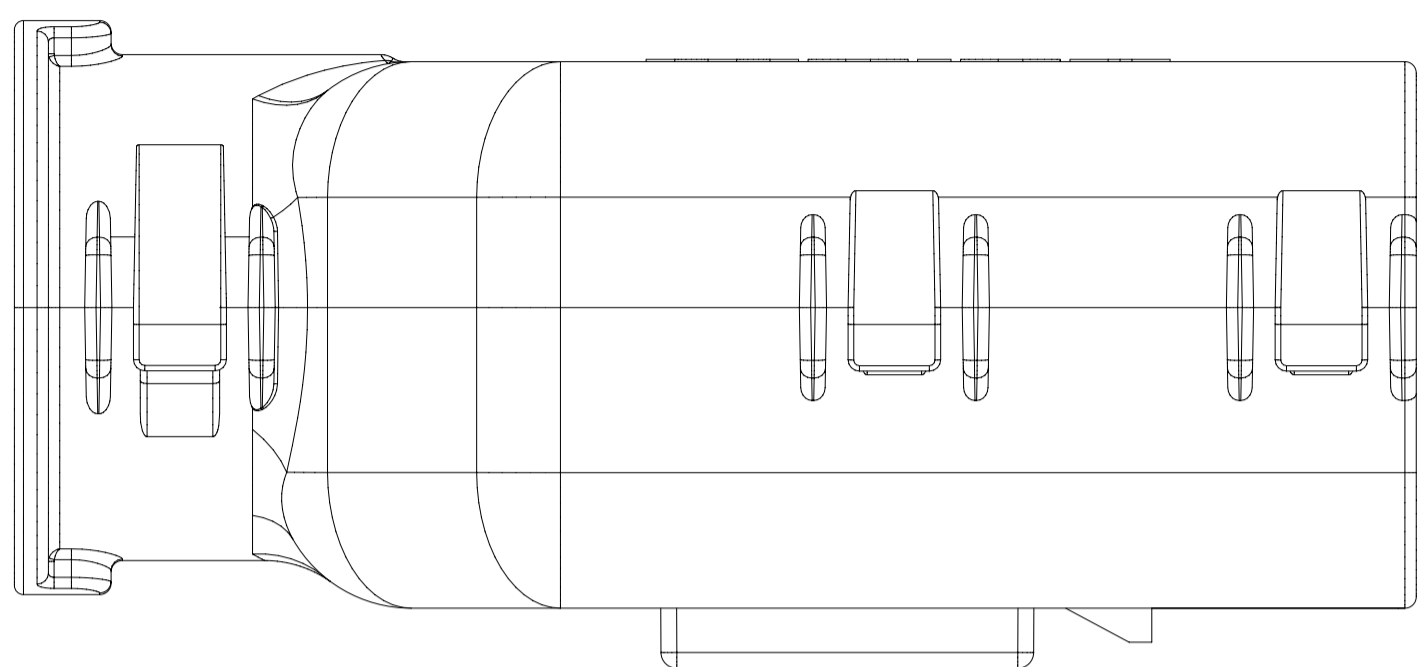
molex

MX150 BLADE
DUAL ROW SEALED ASSEMBLY MAT SEAL

PRODUCT CUSTOMER DRAWING

DOCUMENT STATUS	P1	RELEASE DATE	2018/02/16 22:02:26
-----------------	----	--------------	---------------------

SHEET DESCRIPTION
MOLEX BACKSHELL

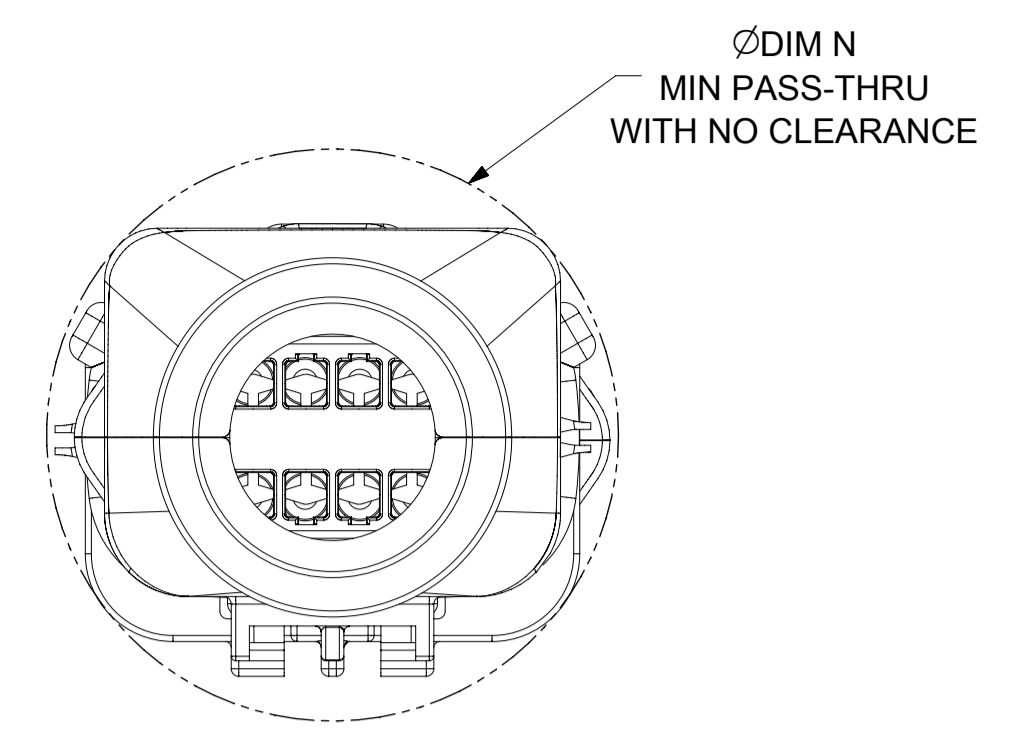
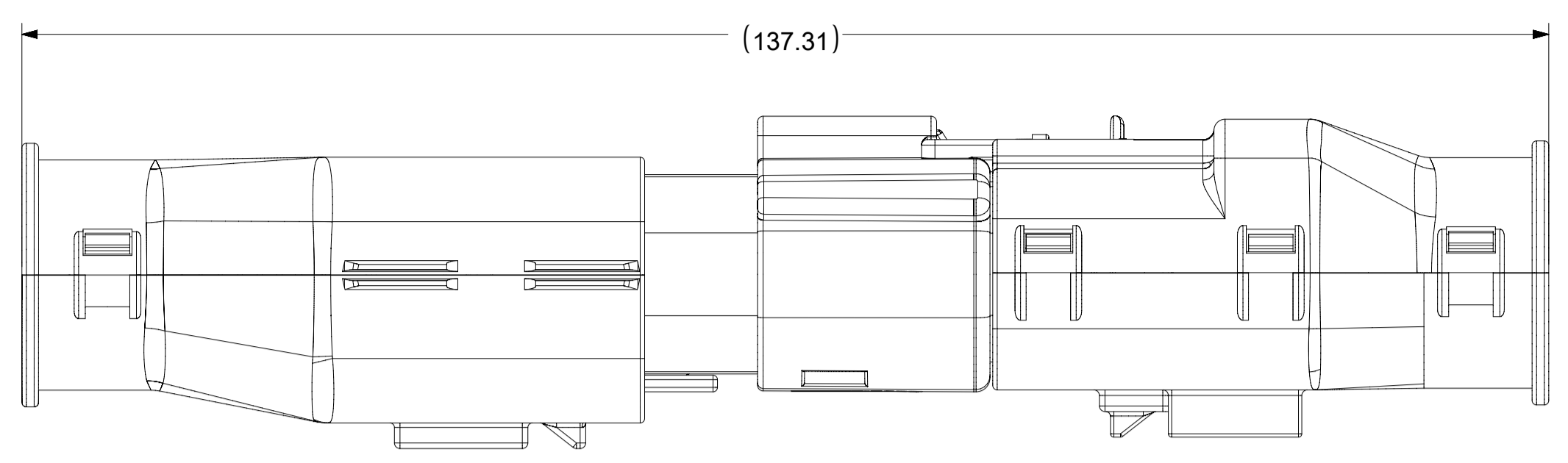


SECTION B-B

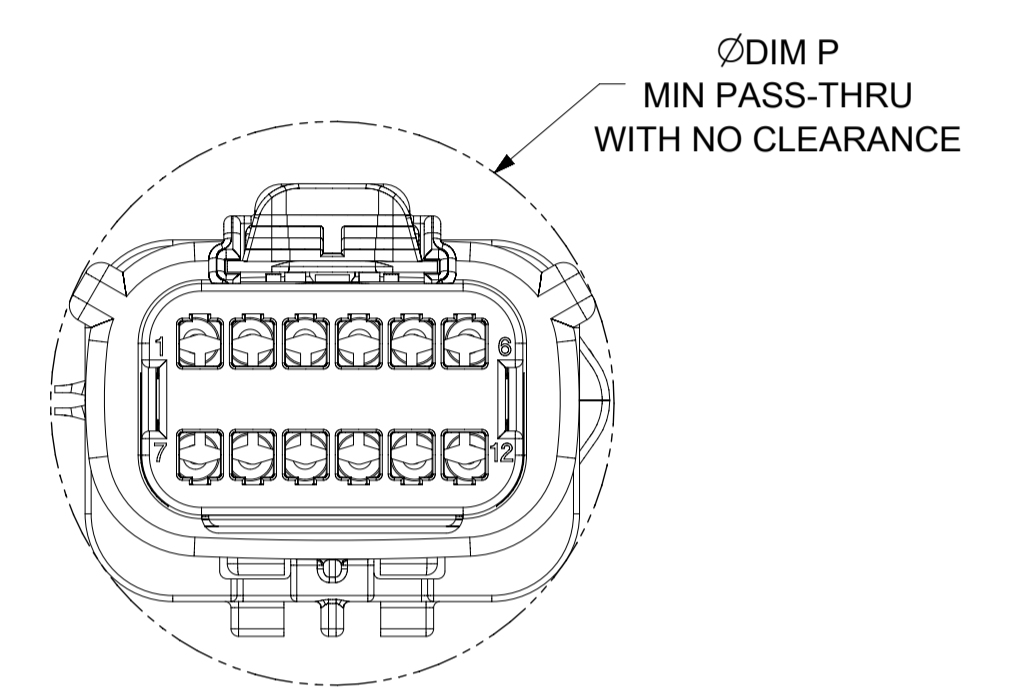
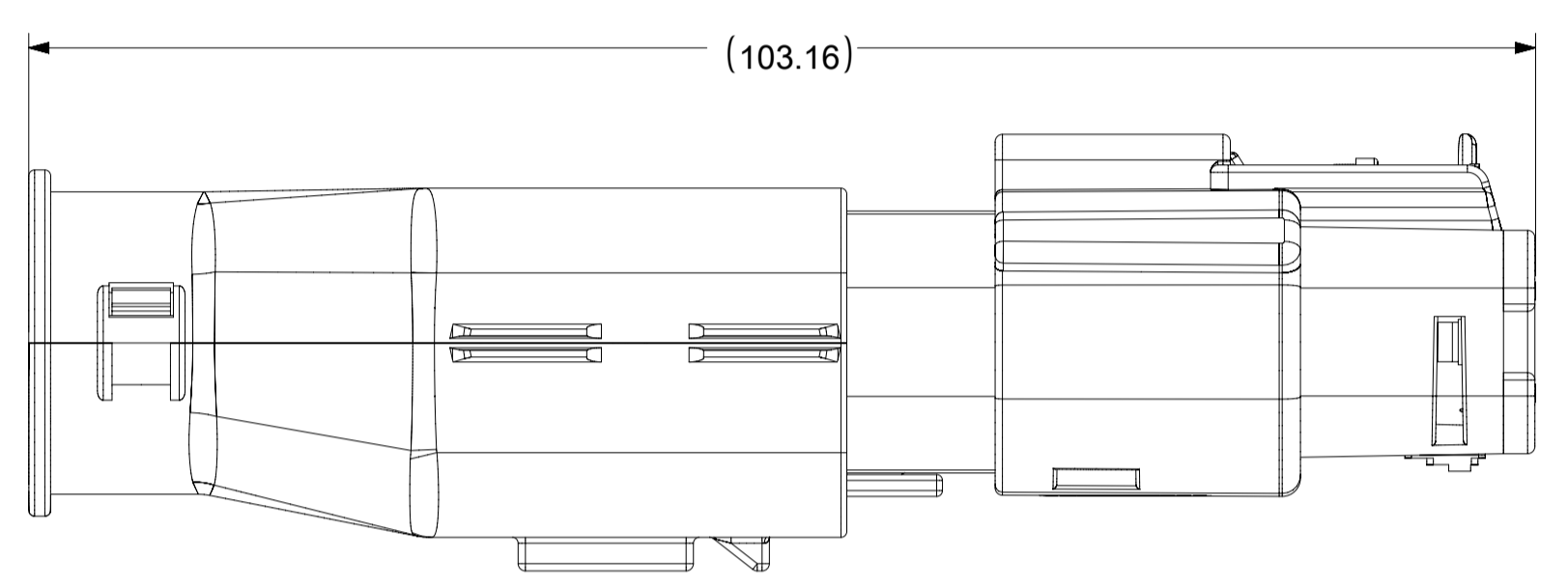
SYMBOLS		THIS DRAWING CONTAINS INFORMATION THAT IS PROPRIETARY TO MOLEX ELECTRONIC TECHNOLOGIES, LLC AND SHOULD NOT BE USED WITHOUT WRITTEN PERMISSION		CURRENT REV DESC:					
	= 0	mm	3:1						EC NO: 171650
	= 0	GENERAL TOLERANCES (UNLESS SPECIFIED)		DRWN: PMANJUNATHAC 2018/01/03		MX150 BLADE DUAL ROW SEALED ASSEMBLY MAT SEAL			
	= 0	ANGULAR TOL ± 1.0°		CHK'D: MVANSLAMBROU 2018/02/16					
	= 0	4 PLACES ±		APPR: MVANSLAMBROU 2018/02/16		PRODUCT CUSTOMER DRAWING			
	= 0	3 PLACES ±		INITIAL REVISION:					
	= 0	2 PLACES ± 0.1		DRWN: APROFFITT 2014/04/28		DOCUMENT NUMBER	DOC TYPE	DOC PART	REVISION
	= 0	1 PLACE ± 0.2		APPR: VKOSHY 2014/05/14		SD-33482-0001	PSD	001	E2
	= 0	0 PLACES ±		DRAFT WHERE APPLICABLE MUST REMAIN WITHIN DIMENSIONS		MATERIAL NUMBER	CUSTOMER	SHEET NUMBER	
	= 0	THIRD ANGLE PROJECTION		DRAWING	SERIES	A1-SIZE	33482	GENERAL MARKET	9 OF 11

SHEET DESCRIPTION
SCHLEMMER BACKSHELL CONFIGURATIONS

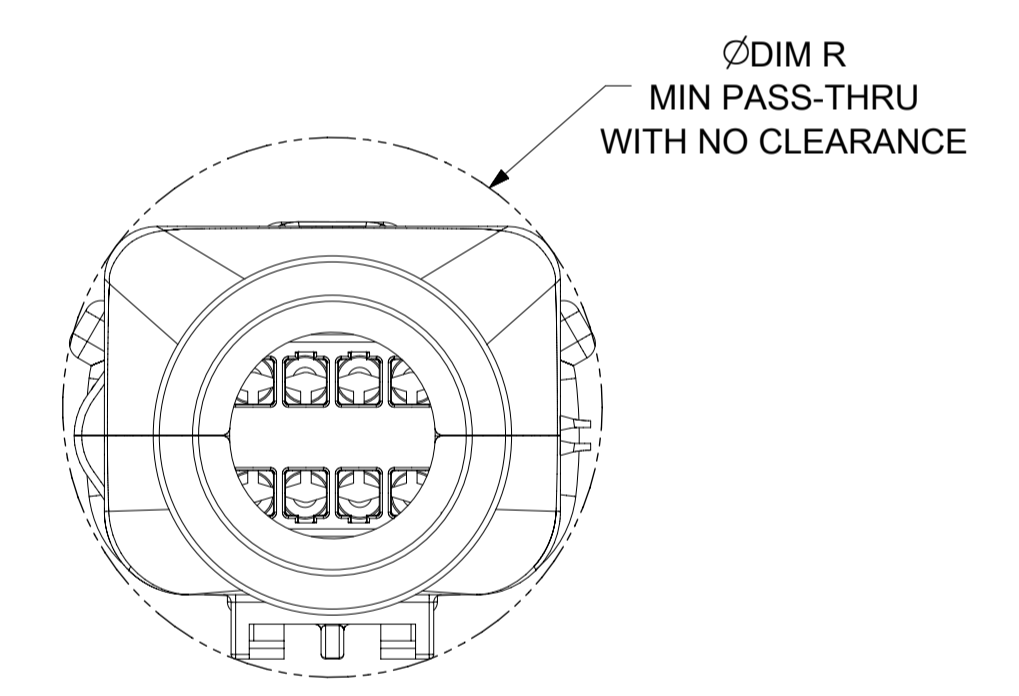
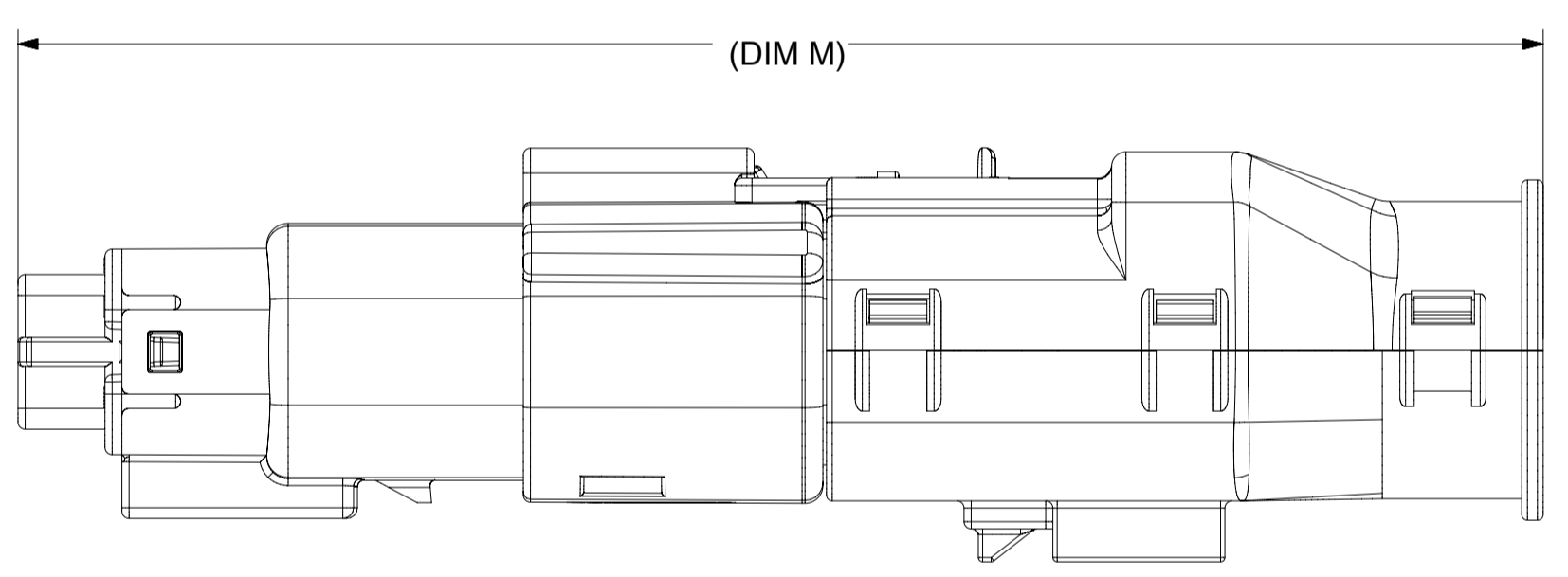
		CHARTED DIMENSIONS					
CKT	BLADE CONFIGURATION	RECEPTACLE CONFIGURATION	DIMENSIONS				
			M	N	P	R	T
2X3	STANDARD	STANDARD	106.83	32.75	31.75	29.00	29.50
	LENGTHENED		108.71				
2X4	STANDARD	STANDARD	106.83	33.50	31.90	30.70	30.70
2X6	STANDARD	STANDARD	106.83	37.84	37.27	35.83	36.83



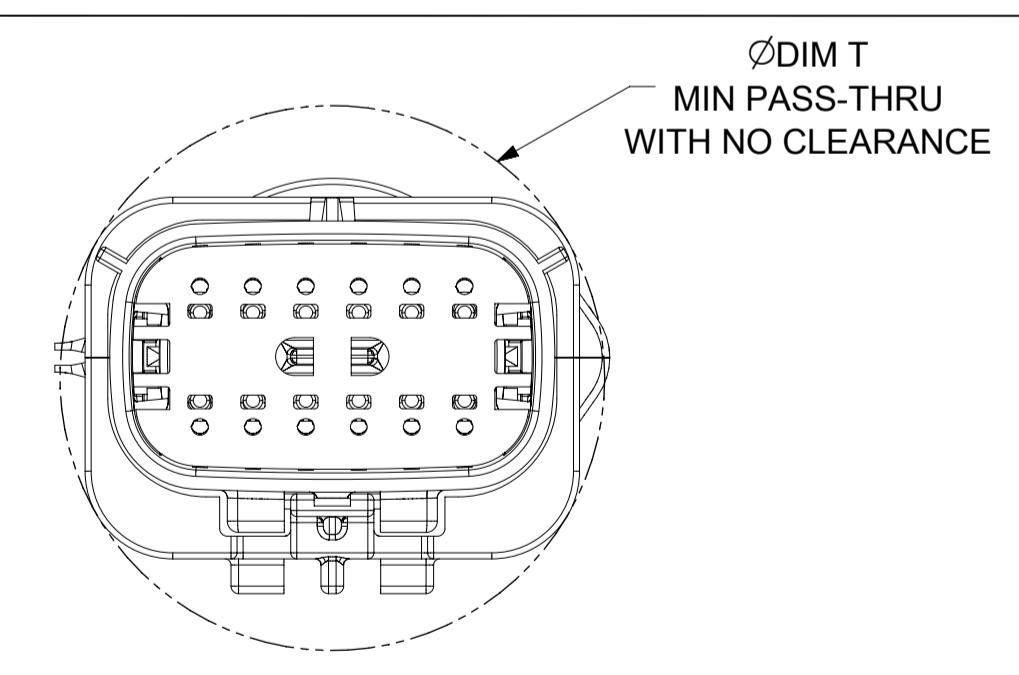
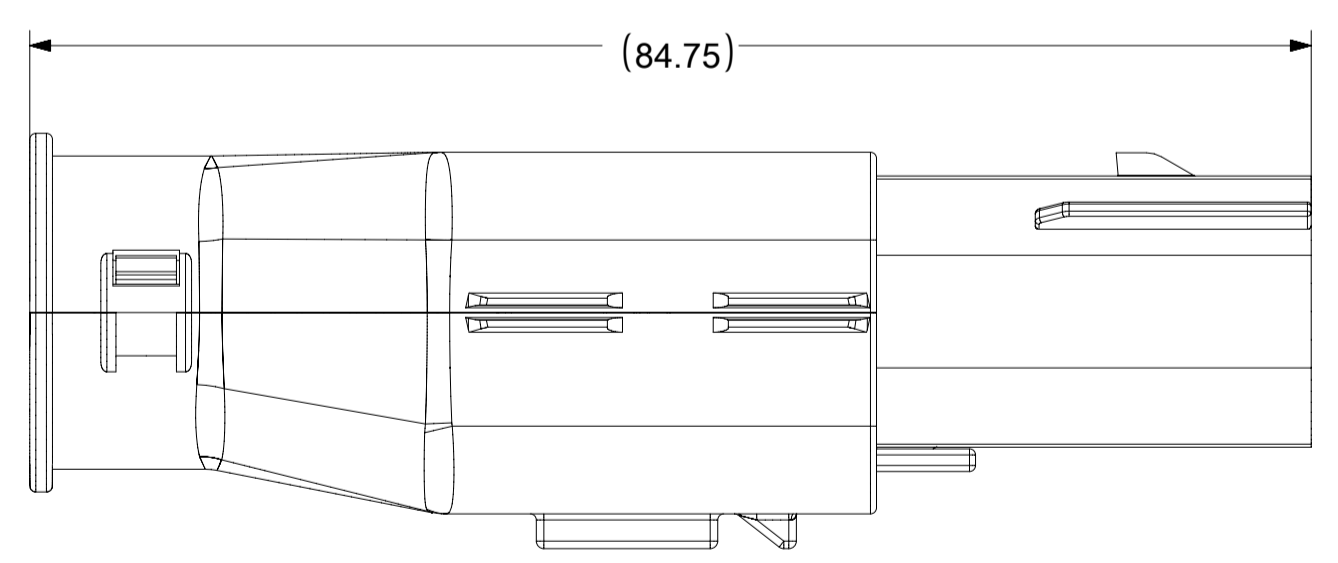
OVERALL MATED SYSTEM WITH BLADE AND RECEPTACLE BACKSHELL



OVERALL MATED SYSTEM WITH BLADE BACKSHELL



OVERALL MATED SYSTEM WITH RECEPTACLE BACKSHELL



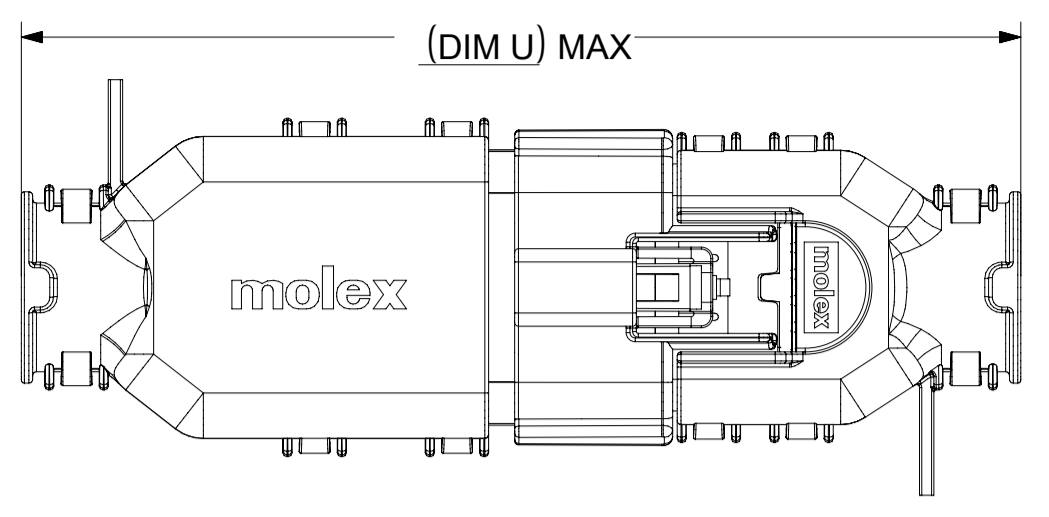
BLADE SEALED ASSEMBLY WITH BLADE BACKSHELL

SYMBOLS THIS DRAWING CONTAINS INFORMATION THAT IS PROPRIETARY TO MOLEX ELECTRONIC TECHNOLOGIES, LLC AND SHOULD NOT BE USED WITHOUT WRITTEN PERMISSION DIMENSION UNITS: mm SCALE: 2:1 GENERAL TOLERANCES (UNLESS SPECIFIED): ANGULAR TOL: ± 1.0° 4 PLACES: ± 3 PLACES: ± 2 PLACES: ± 0.1 1 PLACE: ± 0.2 0 PLACES: ± DRAFT WHERE APPLICABLE MUST REMAIN WITHIN DIMENSIONS	CURRENT REV DESC: EC NO: 171650 DRWN: PMANJUNATHAC 2018/01/03 CHK'D: MVANSLAMBROU 2018/02/16 APPR: MVANSLAMBROU 2018/02/16 INITIAL REVISION: DRWN: APROFFITT 2014/04/28 APPR: VKOSHY 2014/05/14		
	PRODUCT CUSTOMER DRAWING DOCUMENT NUMBER: SD-33482-0001 DOC TYPE: PSD DOC PART: 001 REVISION: E2		MATERIAL NUMBER: 33482 CUSTOMER: GENERAL MARKET SHEET NUMBER: 10 OF 11

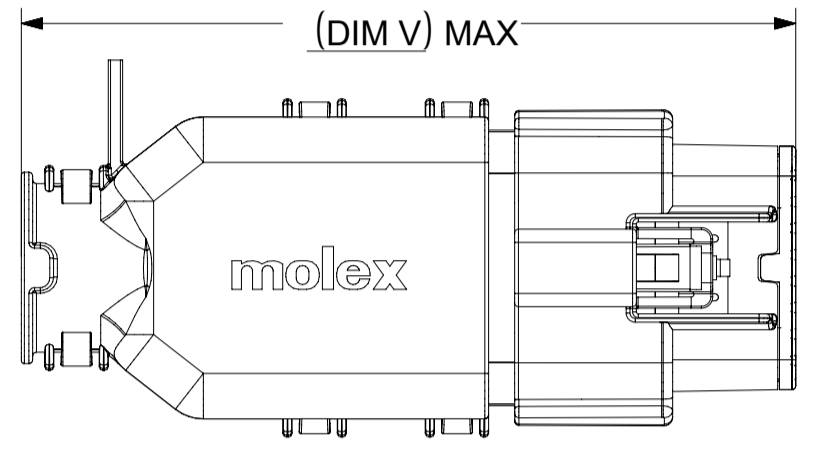
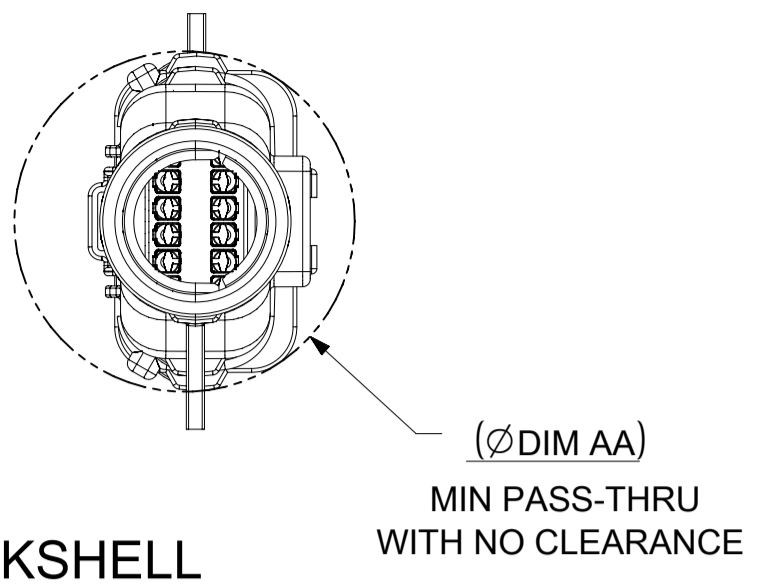
SHEET DESCRIPTION
MOLEX BACKSHELL CONFIGURATIONS

CHARTED DIMENSIONS

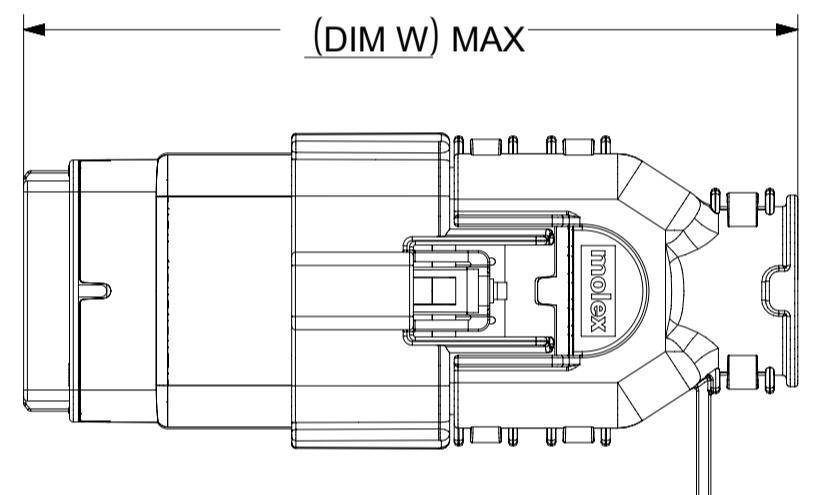
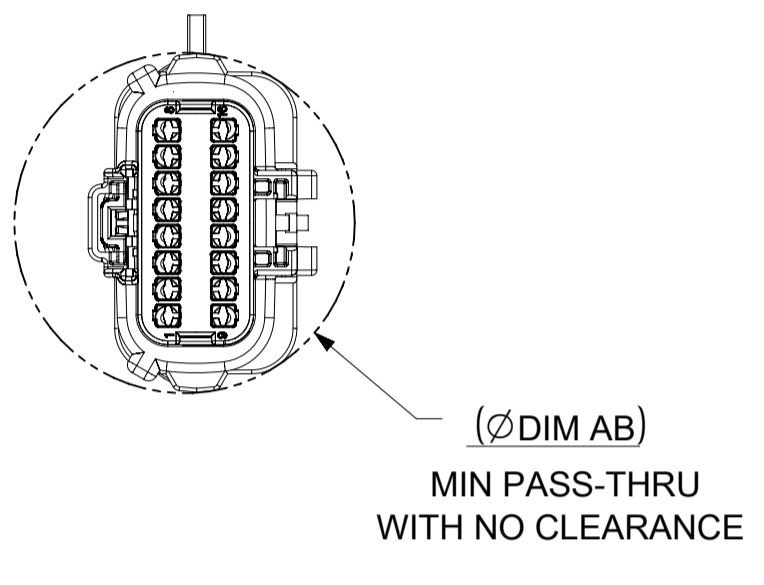
CKT	BLADE CONFIGURATION	RECEPTACLE CONFIGURATION	DIMENSIONS									
			U	V	W	X	Y	AA	AB	AC	AD	AE
2X4	STANDARD	STANDARD	115.24	94.36	93.93	75.62	32.10	32.93	32.54	32.85	31.76	56.81
2X8	STANDARD	STANDARD	132.49	102.81	102.73	84.07	36.10	45.44	45.44	42.65	45.44	68.18
2X10	STANDARD	STANDARD	132.49	102.81	102.73	84.07	36.10	45.44	45.44	42.65	45.44	68.18



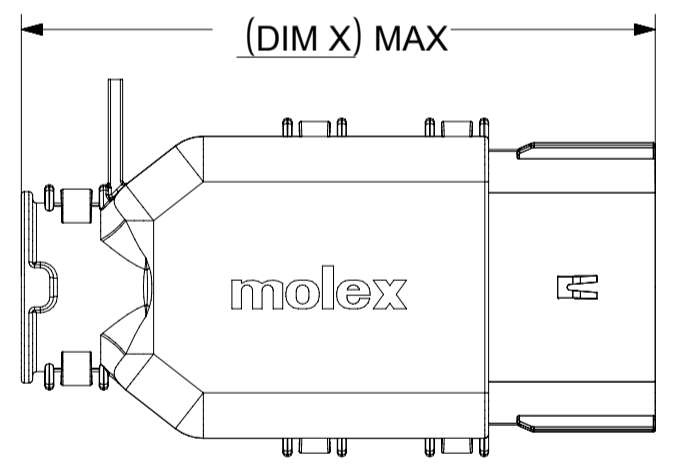
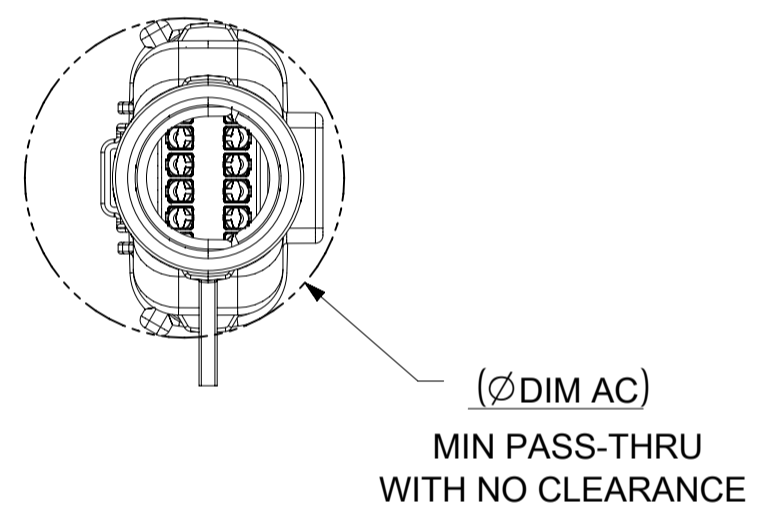
OVERALL MATED SYSTEM WITH BLADE AND RECEPTACLE BACKSHELL



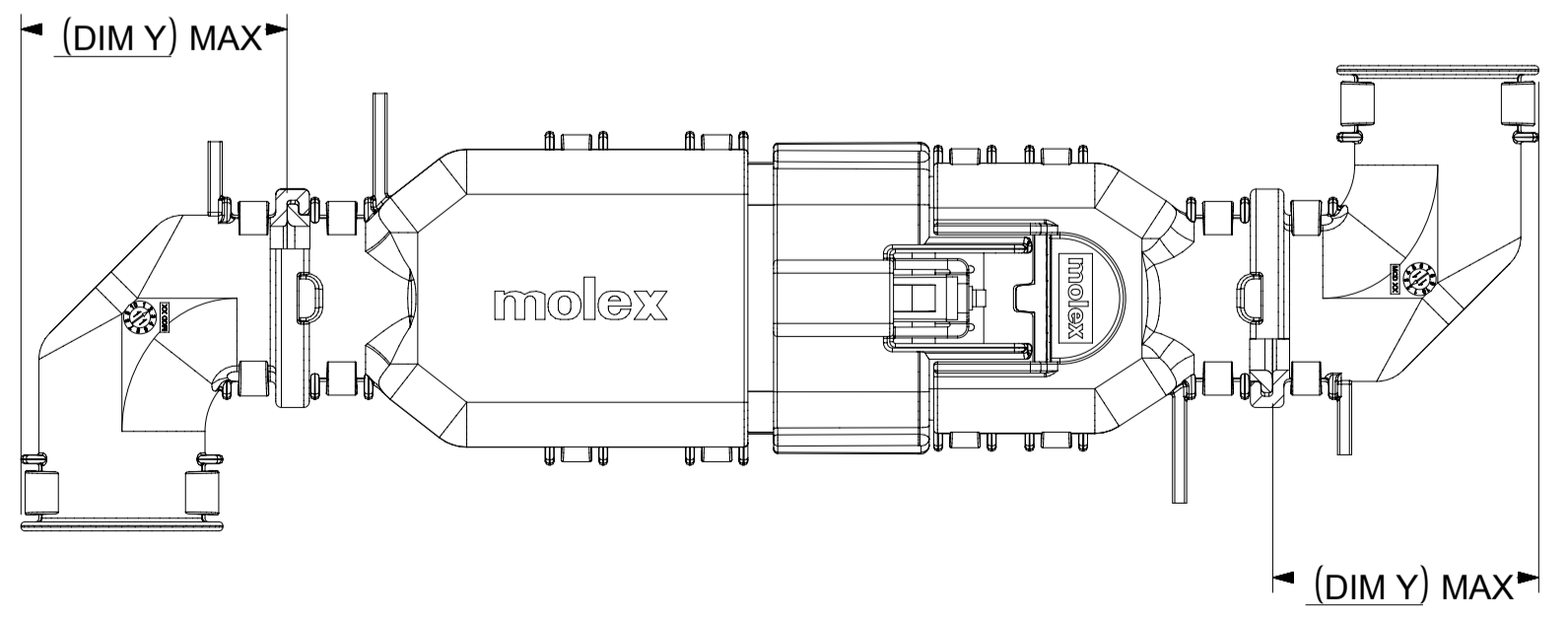
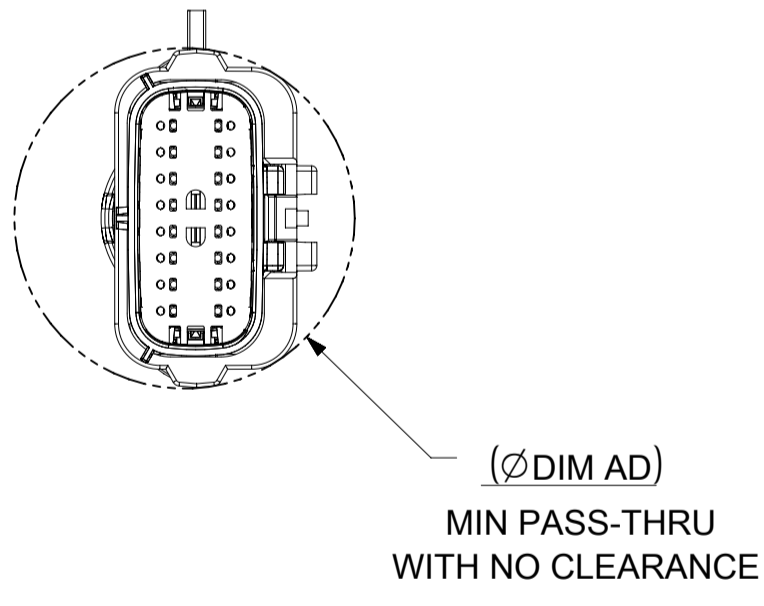
OVERALL MATED SYSTEM WITH BLADE BACKSHELL



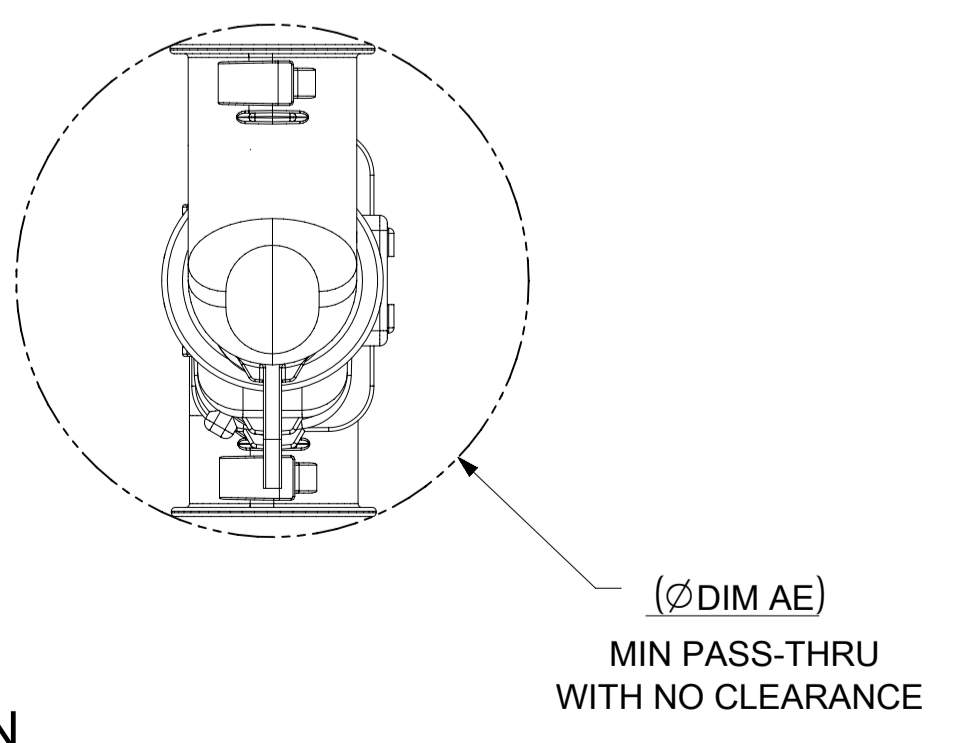
OVERALL MATED SYSTEM WITH RECEPTACLE BACKSHELL



BLADE SEALED ASSEMBLY WITH BLADE BACKSHELL



ADD THE VALUE OF 'Y' TO THE TOTAL DIMENSION WHENEVER ADAPTOR IS USED



SYMBOLS	THIS DRAWING CONTAINS INFORMATION THAT IS PROPRIETARY TO MOLEX ELECTRONIC TECHNOLOGIES, LLC AND SHOULD NOT BE USED WITHOUT WRITTEN PERMISSION		CURRENT REV DESC:				
	DIMENSION UNITS	SCALE	EC NO: 171650				
∇ = 0	mm	1:1	DRWN: PMANJUNATHAC 2018/01/03		MX150 BLADE		
∇ = 0	GENERAL TOLERANCES (UNLESS SPECIFIED)		CHK'D: MVANSLAMBROU 2018/02/16		DUAL ROW SEALED ASSEMBLY MAT SEAL		
∇ = 0	ANGULAR TOL ± 1.0°		APPR: MVANSLAMBROU 2018/02/16		PRODUCT CUSTOMER DRAWING		
∇ = 0	4 PLACES	±	INITIAL REVISION:		DOCUMENT NUMBER		
∇ = 0	3 PLACES	±	DRWN: APROFFITT 2014/04/28		SD-33482-0001		DOC TYPE DOC PART REVISION
∇ = 0	2 PLACES	± 0.1	APPR: VKOSHY 2014/05/14		PSD	001	E2
∇ = 0	1 PLACE	± 0.2	THIRD ANGLE PROJECTION		MATERIAL NUMBER		CUSTOMER
∇ = 0	0 PLACES	±	DRAWING		SERIES		SHEET NUMBER
■ = 0	DRAFT WHERE APPLICABLE MUST REMAIN WITHIN DIMENSIONS		A1-SIZE		33482		GENERAL MARKET
∇ = 0	THIRD ANGLE PROJECTION		DRAWING		SERIES		11 OF 11

TABLE OF CONTENTS	
SHEET NO.	SHEET DESCRIPTION
1	NOTES AND BOM
2	CONFIGURATIONS
3	SCHLEMMER BACKSHELL DETAIL
4	MOLEX BACKSHELL DETAIL

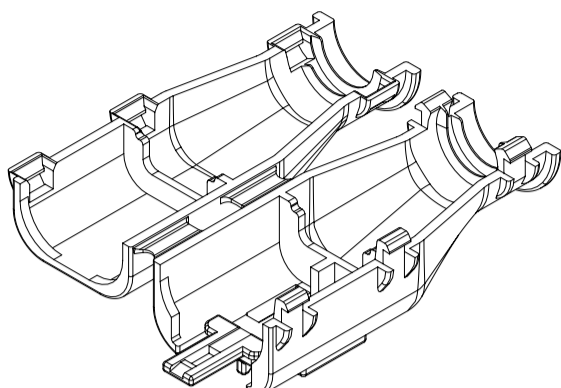
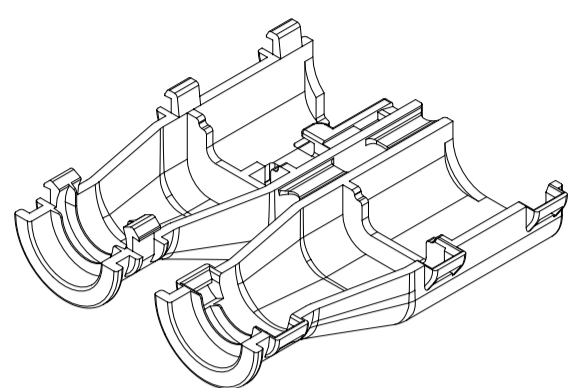
BACKSHELL NOTES: VALID UNLESS OTHERWISE SPECIFIED

1. GENERAL:
 - a. APPLICATION SPECIFICATION SEE: AS-34951-001
 - DESIGNED TO MATE WITH BLADE SEALED ASSEMBLY AS SPECIFIED IN SD-33482-0001.
 - COMPONENTS ARE OPTIONAL AND MUST BE PURCHASED SEPERATELY
 - b. MOLEX PRODUCT SPECIFICATION SEE: TBD
 - BACKSHELL DESIGN IS OWNED BY MOLEX.
 - c. OUTSOURCED MFG PRODUCT SPECIFICATION
 - BACKSHELL DESIGN IS OWNED BY SCHLEMMER.
 - THESE PRODUCTS ARE ONE TIME USE ONLY.
 - REMOVAL FORCE OF THE BACKSHELL FROM THE MOLEX CONNECTOR TO BE 100N MIN.
 - REMOVAL FORCE OF SLIT CONVOLUTE FROM THE WITH RIB OPTION BACKSHELLS TO BE 100N MIN.
 - REMOVAL FORCE OF UNSLIT CONVOLUTE FROM THE WITH RIB OPTION BACKSHELLS TO BE 100N MIN.
 - d. PACKAGING SPECIFICATION: SEE BOM
 - e. PARTS MUST BE IN COMPLIANCE TO MOLEX CHEMICAL SUBSTANCES FOR PRODUCTS AND PACKAGING SPECIFICATION: QEHS-699000-300
 - f. DATA MUST BE SUBMITTED UNDER THE MOLEX PART NUMBER TO IMDS (COMPANY ID#13255)
 - g. FOLLOWING PRODUCTION CODES TO BE PRESENT
 - DATE CODE
 - MOLD CAVITY CODE
 - MOLEX LOGO
 - RECYCLE CODE
 - SUPPLIER PART NUMBER - SCHLEMMER PARTS ONLY

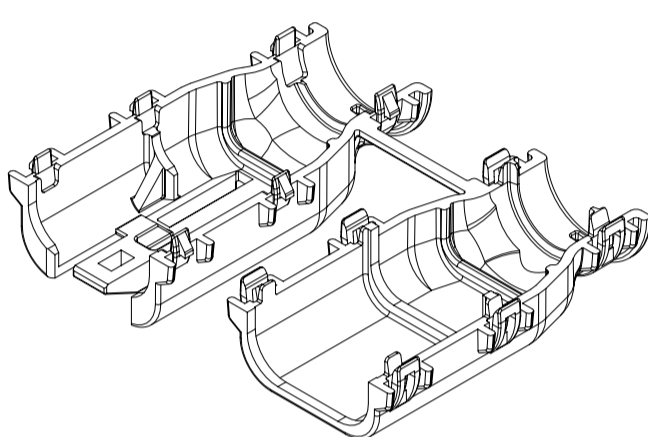
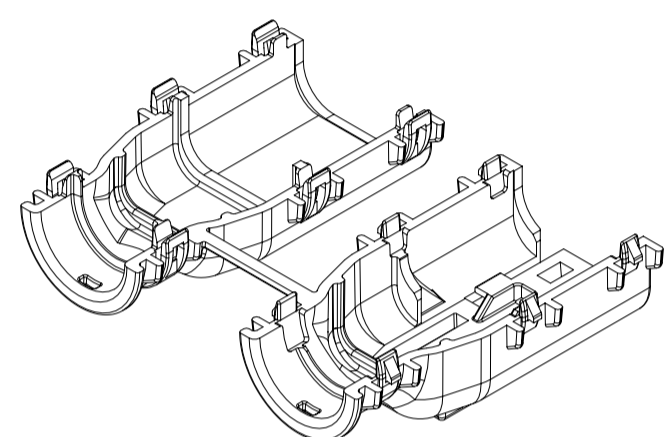
2. DESIGN - MATERIALS:
 - a. PA66 0% GLASS FILLED
 - b. BLACK

3. DESIGN GEOMETRY:
 - a. THIS IS A 100% CAD GENERATED PART. THE CAD MATHEMATICAL DATA IS THE MASTER FOR THIS PART. FOR DIMENSIONAL OR ANY INFORMATION NOT SHOWN ON THIS DRAWING, ANALYZE THE CAD MODEL.
 - b. GEOMETRIC DIMENSIONS AND TOLERANCES PER ASME Y14.5M - 2009.
 - c. CORNERS SHOWN AS SHARP TO BE R 0.1.
 - d. VISUAL DEFECTS SHALL MEET COSMETEIC STANDARD PS-45499-002 (CLASS C).
 - e. ALLOWABLE FLASH, PARTING LINES MISMATCH, EJECTOR PINS MARK, AND GATE VESTIGE TO BE +0.30 MAX PROTUSION.

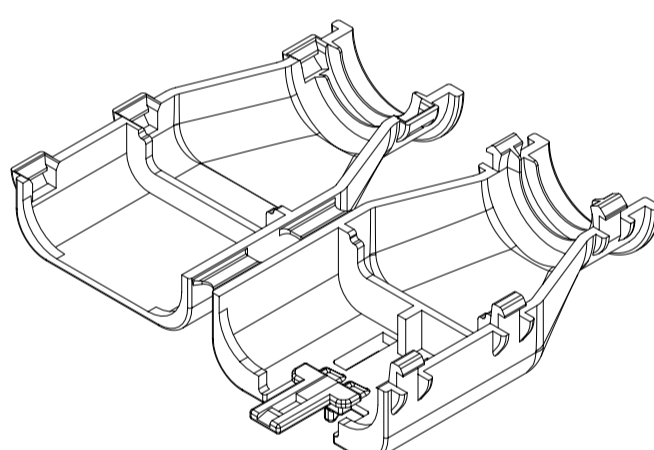
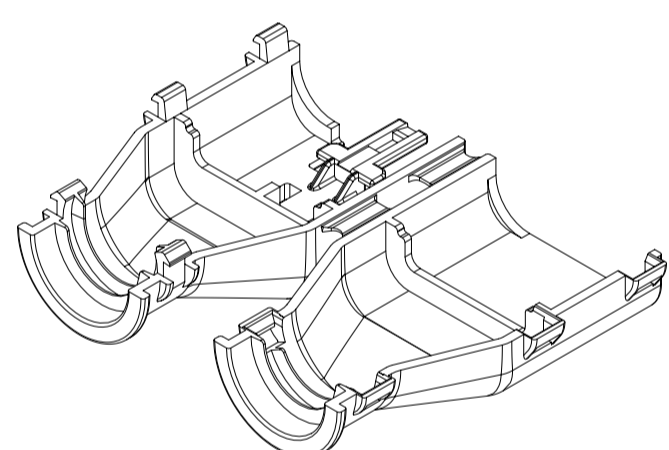
BILL OF MATERIALS (BOM)								
DESCRIPTION	PART NUMBER	CIRCUIT SIZE	COLOR	RIBS	CONVOLUTE SIZE	PACKAGING DRAWING NUMBER	STATUS	MANUFACTURER
2X3, WITH RIB	34950-0610	2X3	BLACK	YES	9 mm DELPHI	PK-31302-118	SALEABLE	OUTSOURCED MFG
2X3, WITHOUT RIB	34950-0620	2X3	BLACK	NO	9 mm DELPHI	PK-31302-118	SALEABLE	OUTSOURCED MFG
2X4, WITH RIB	34950-0811	2X4	BLACK	YES	NW 12 SCHLEMMER	349509000 PDD	SALEABLE	MOLEX
2X4, WITHOUT RIB	34950-0821	2X4	BLACK	NO	NW 12 SCHLEMMER	349509000 PDD	SALEABLE	MOLEX
2X6, WITH RIB	34950-1210	2X6	BLACK	YES	13 mm DELPHI	PK-31302-118	SALEABLE	OUTSOURCED MFG
2X6, WITHOUT RIB	34950-1220	2X6	BLACK	NO	13 mm DELPHI	PK-31302-118	SALEABLE	OUTSOURCED MFG
2X8, WITH RIB	34950-1611	2X8	BLACK	YES	NW 16 SCHLEMMER	349509000 PDD	SALEABLE	MOLEX
2X8, WITHOUT RIB	34950-1621	2X8	BLACK	NO	NW 16 SCHLEMMER	349509000 PDD	SALEABLE	MOLEX
2X10, WITH RIB	34950-2011	2X10	BLACK	YES	NW 16 SCHLEMMER	349509000 PDD	SALEABLE	MOLEX
2X10, WITHOUT RIB	34950-2021	2X10	BLACK	NO	NW 16 SCHLEMMER	349509000 PDD	SALEABLE	MOLEX



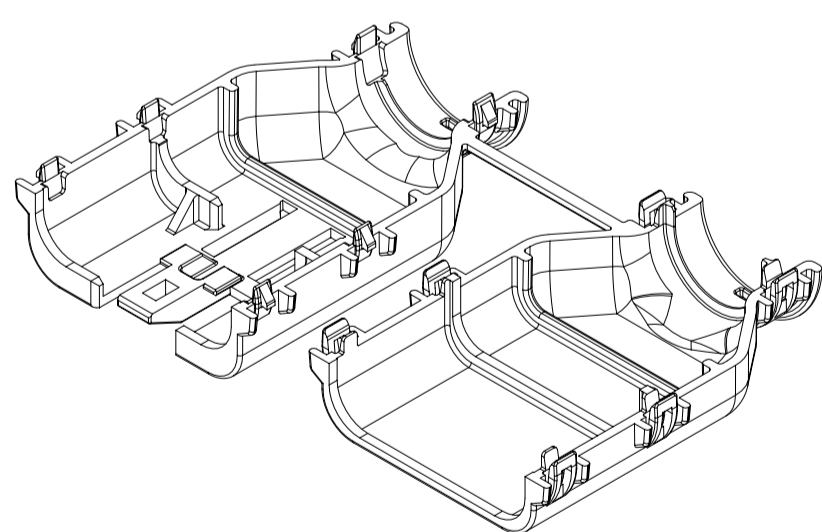
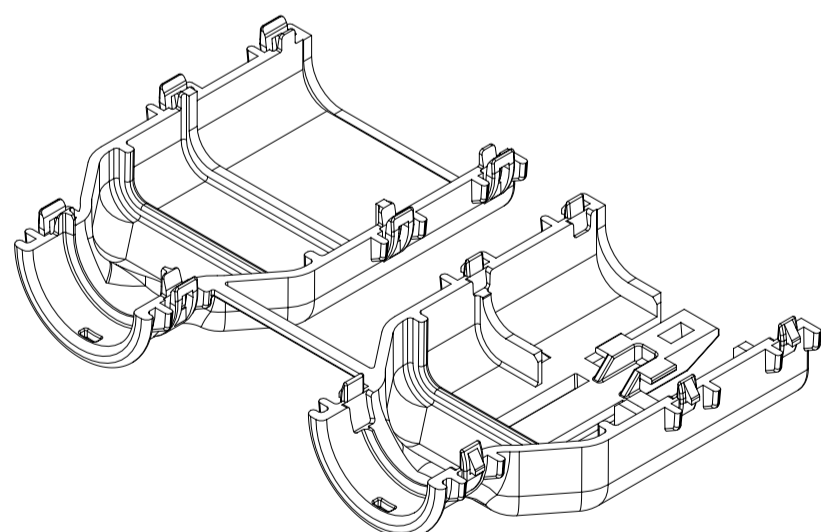
2X3 BLADE



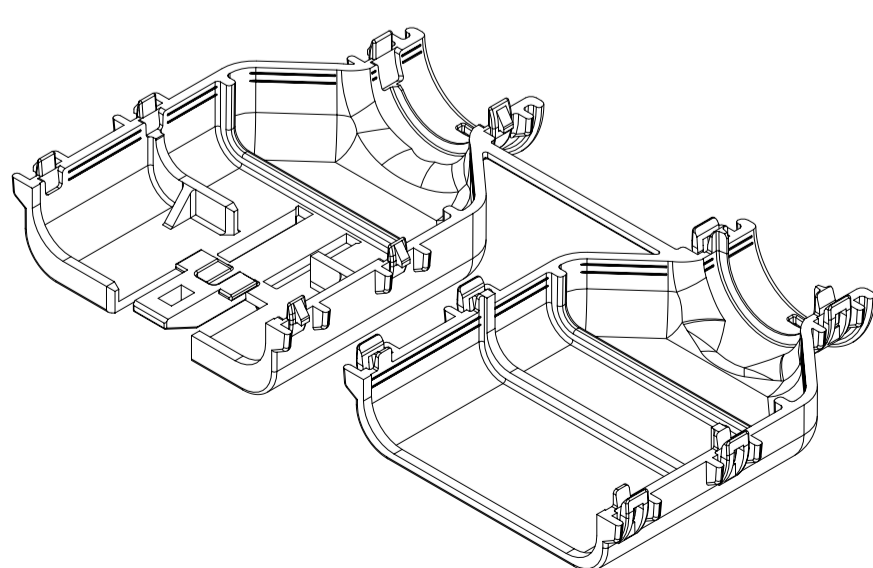
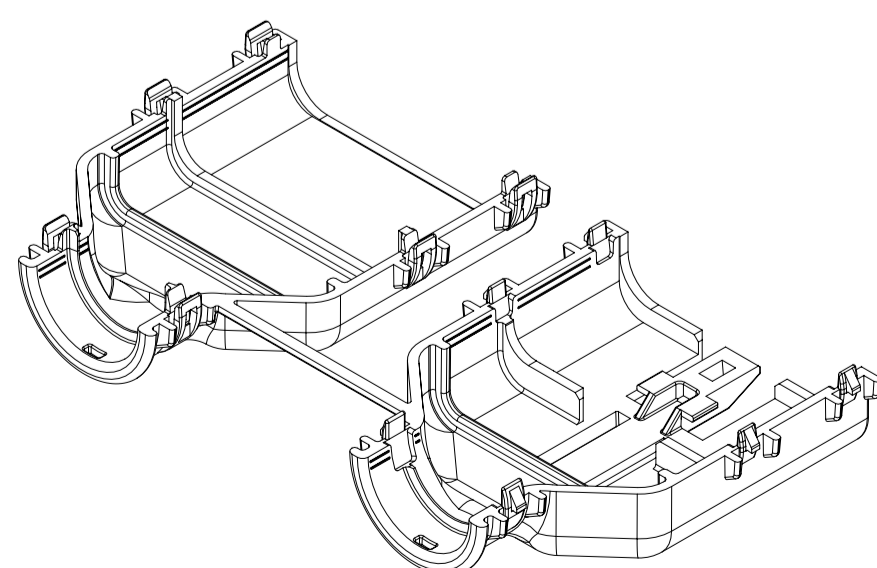
2X4 BLADE



2X6 BLADE



2X8 BLADE



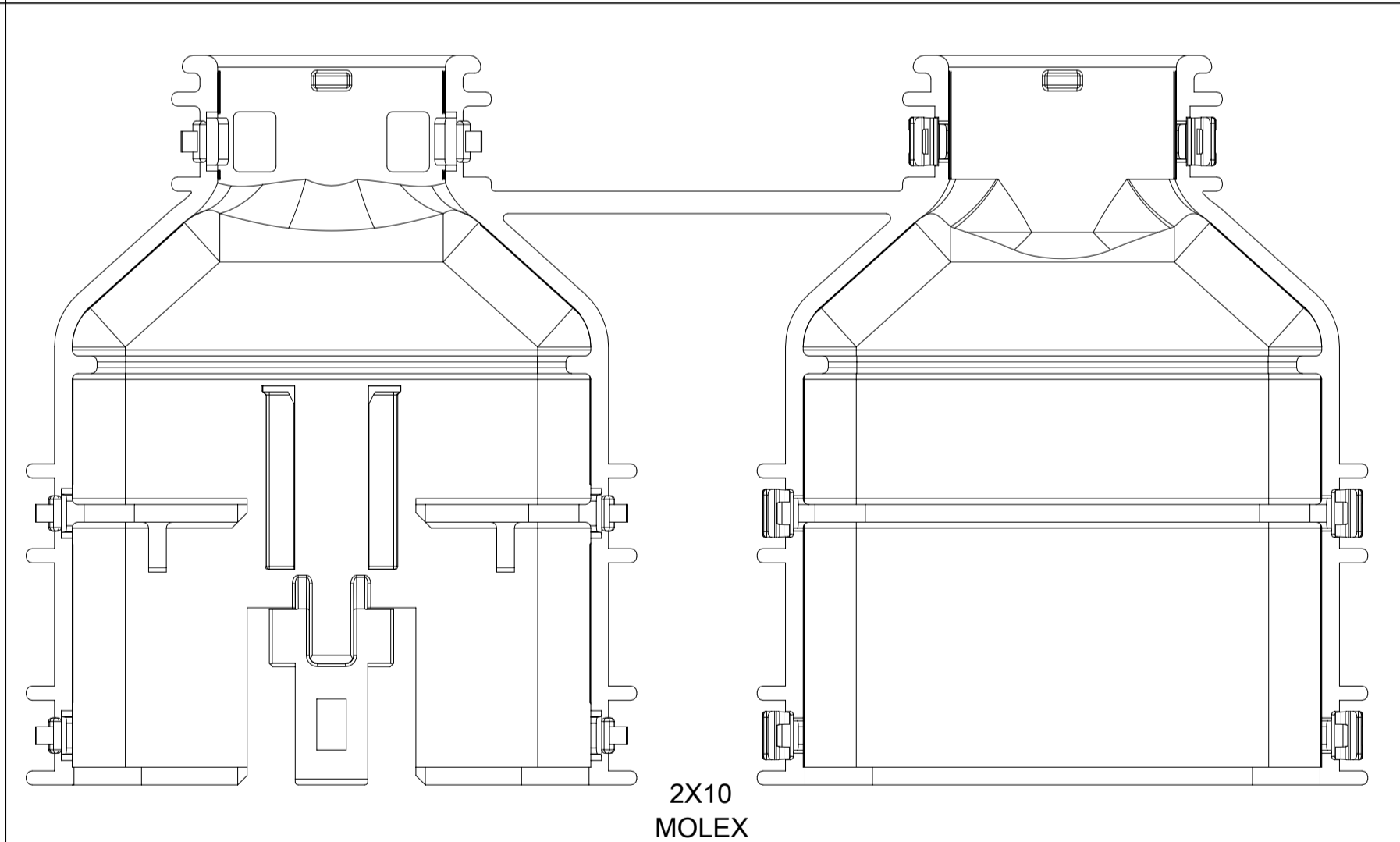
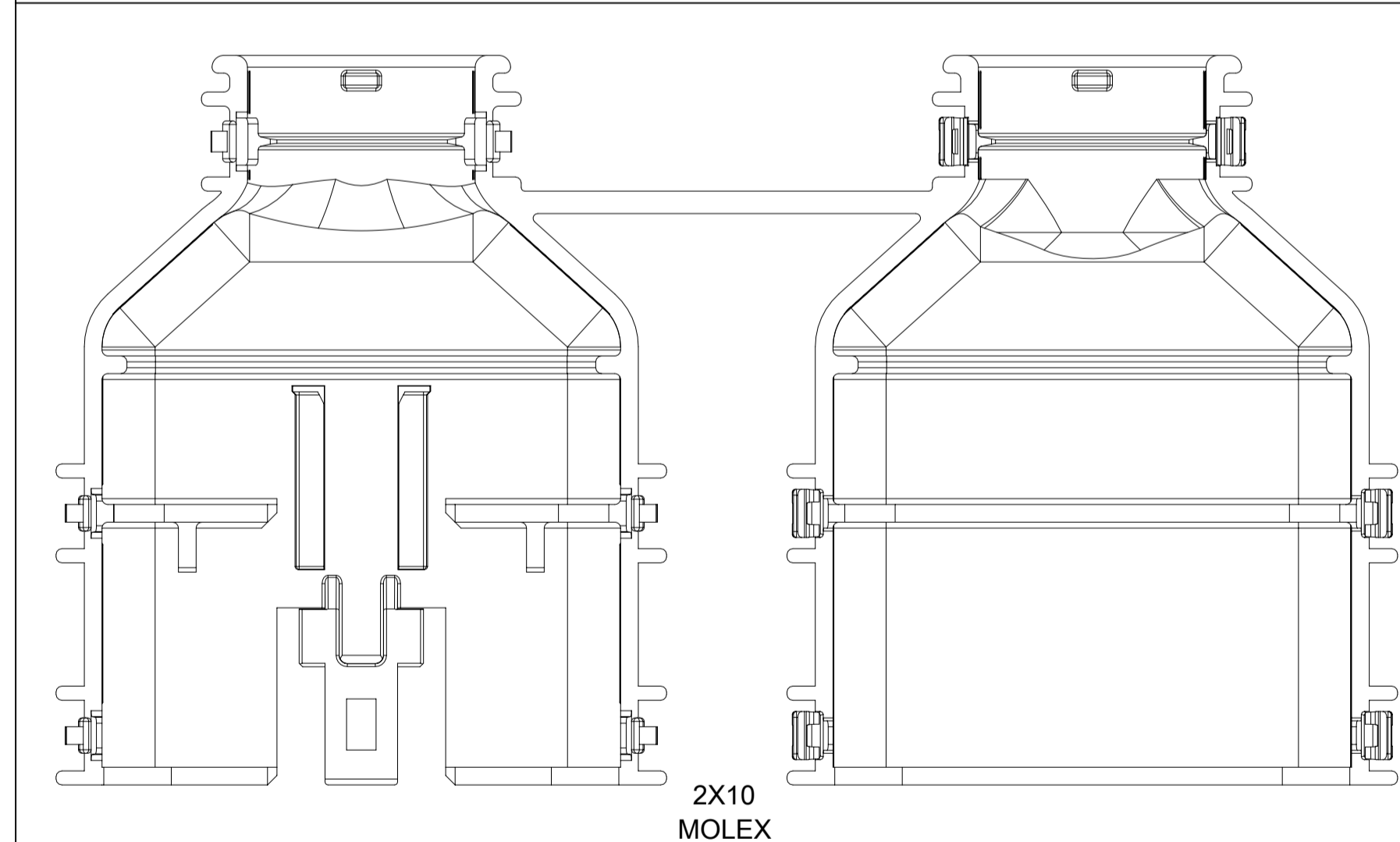
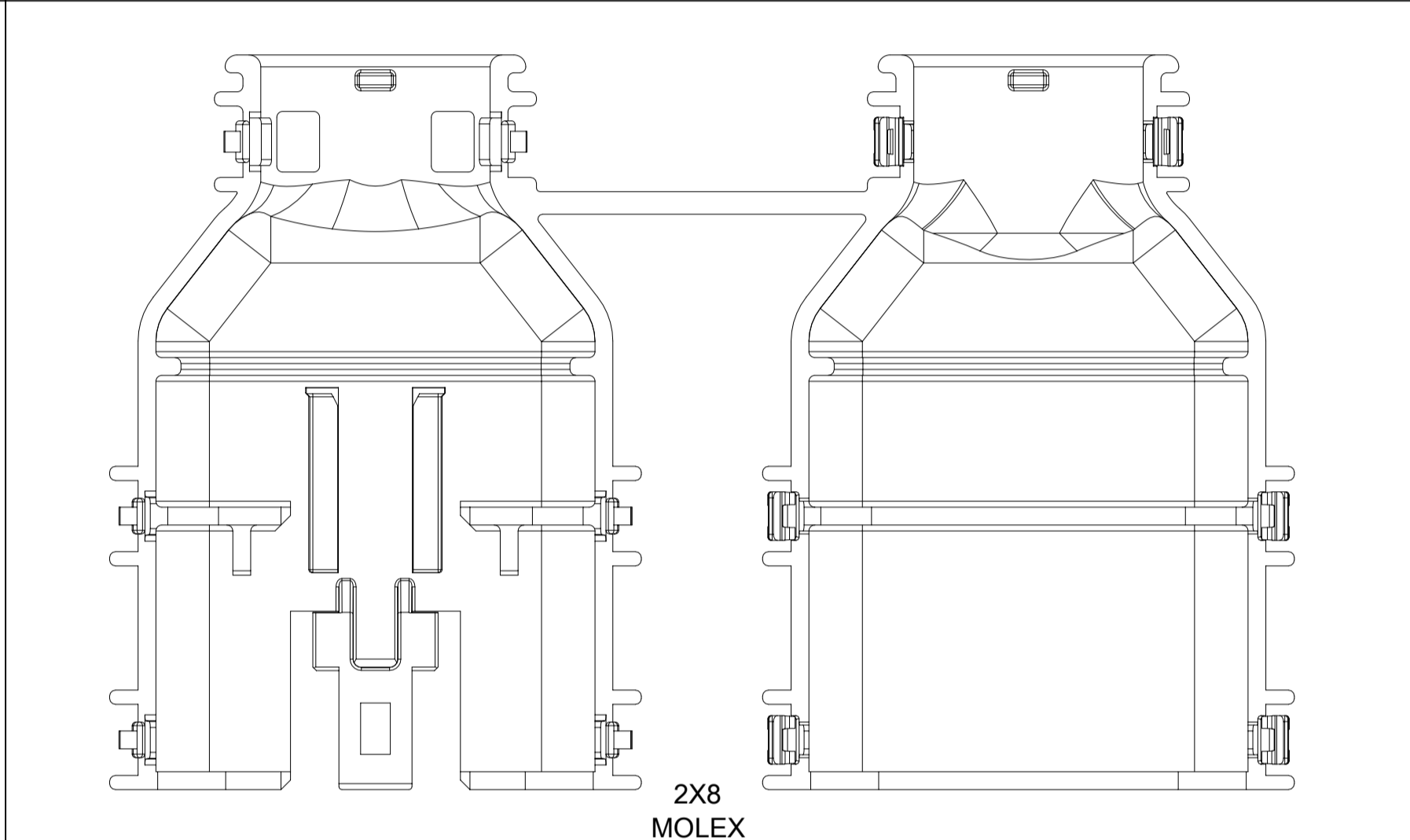
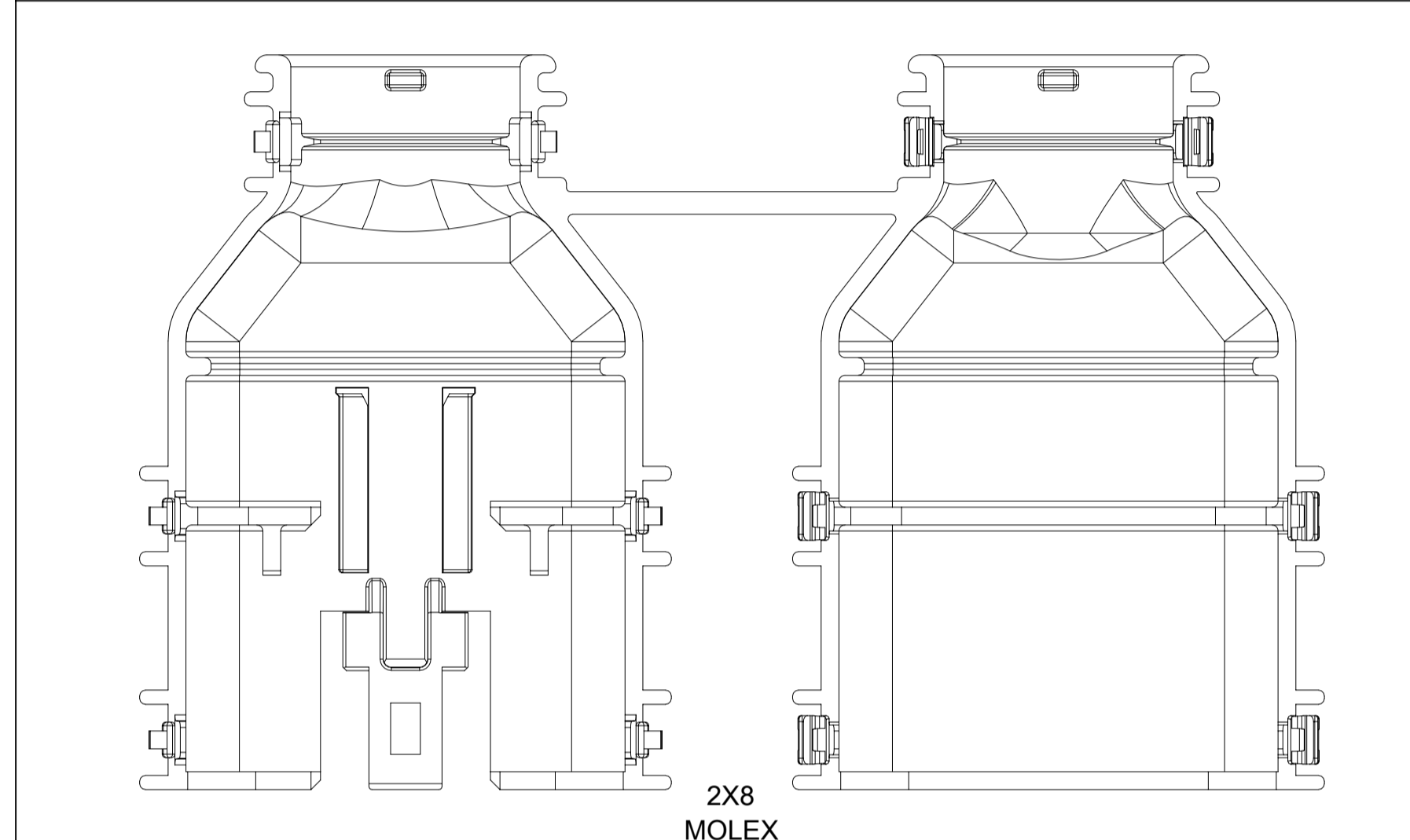
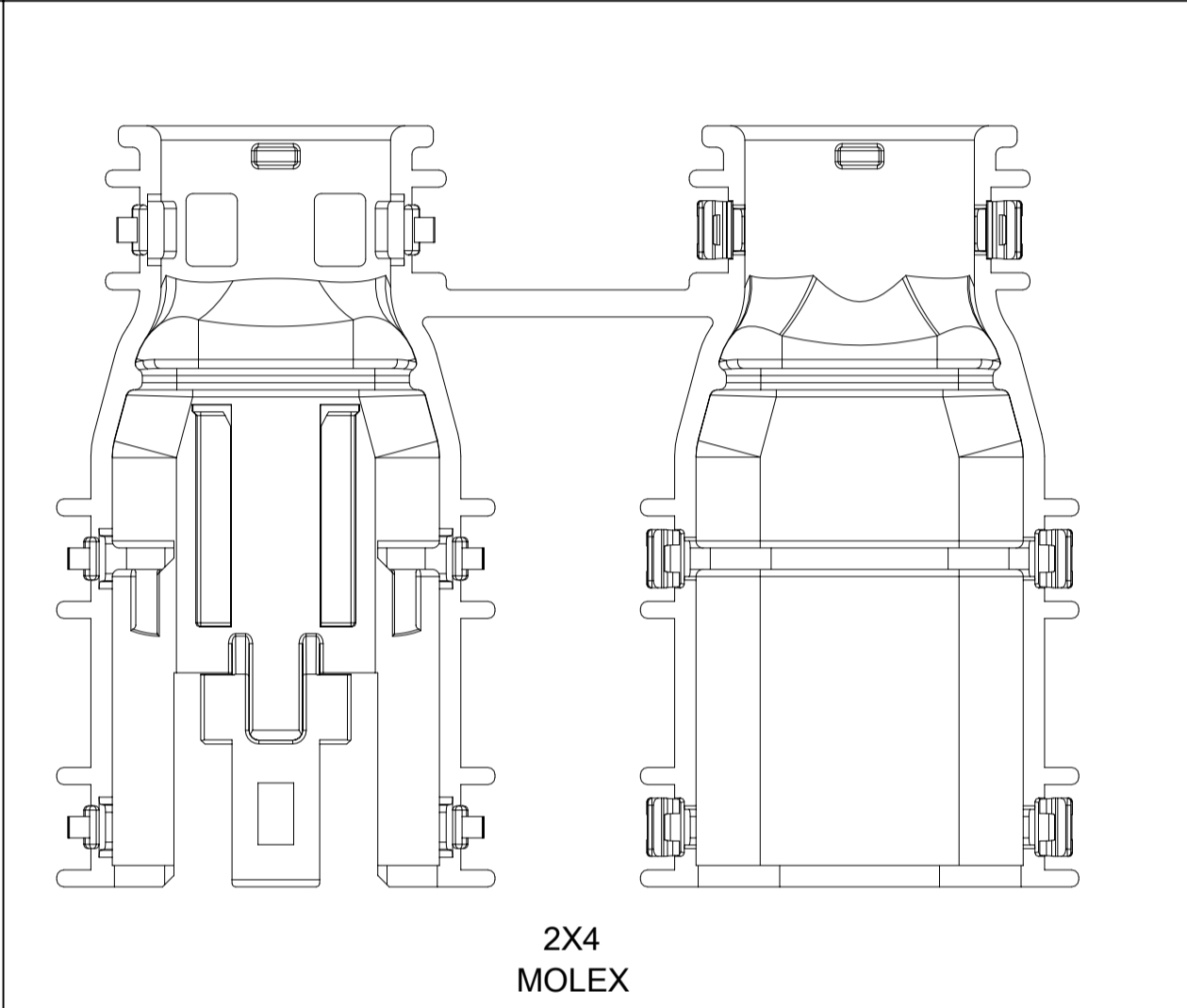
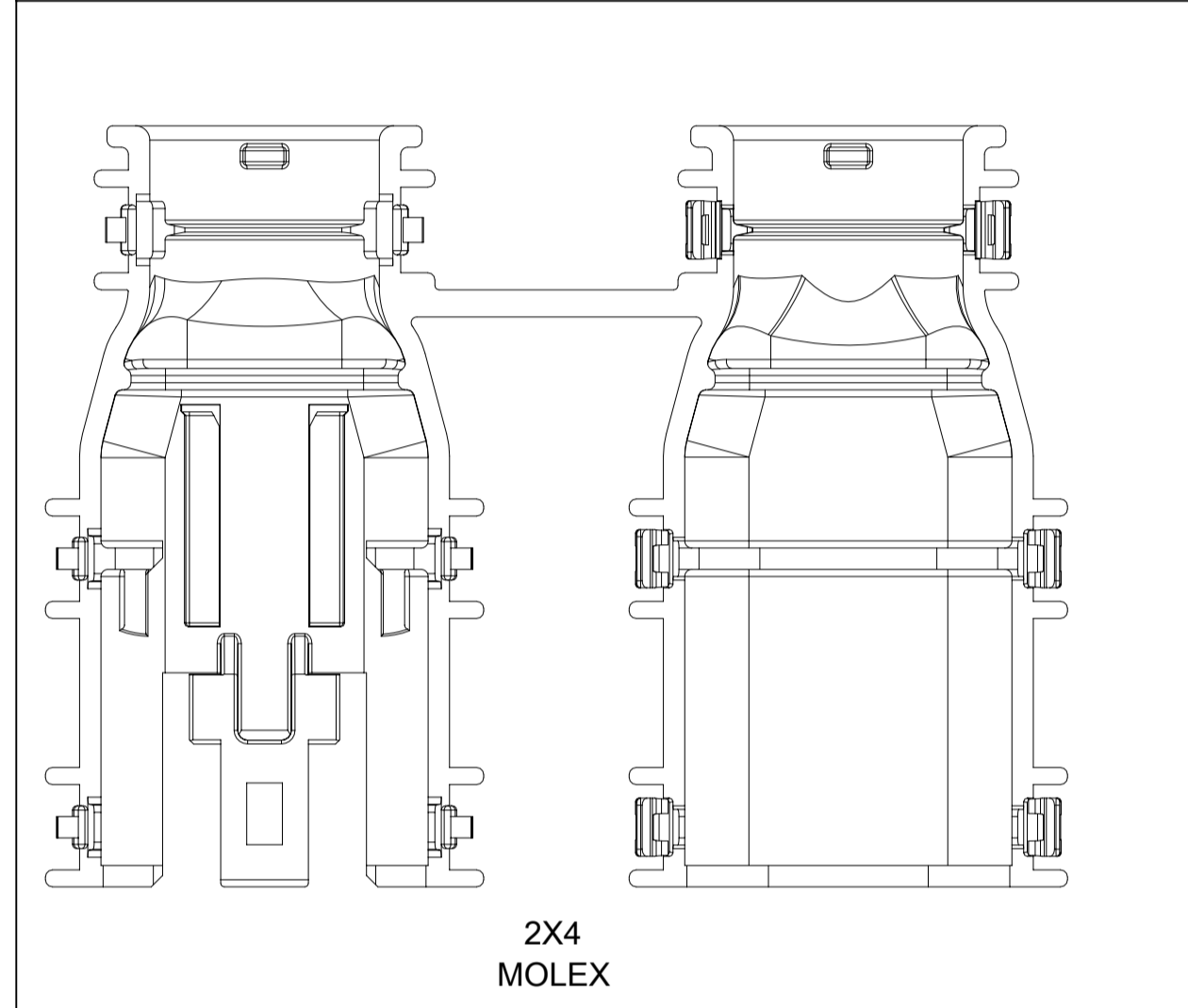
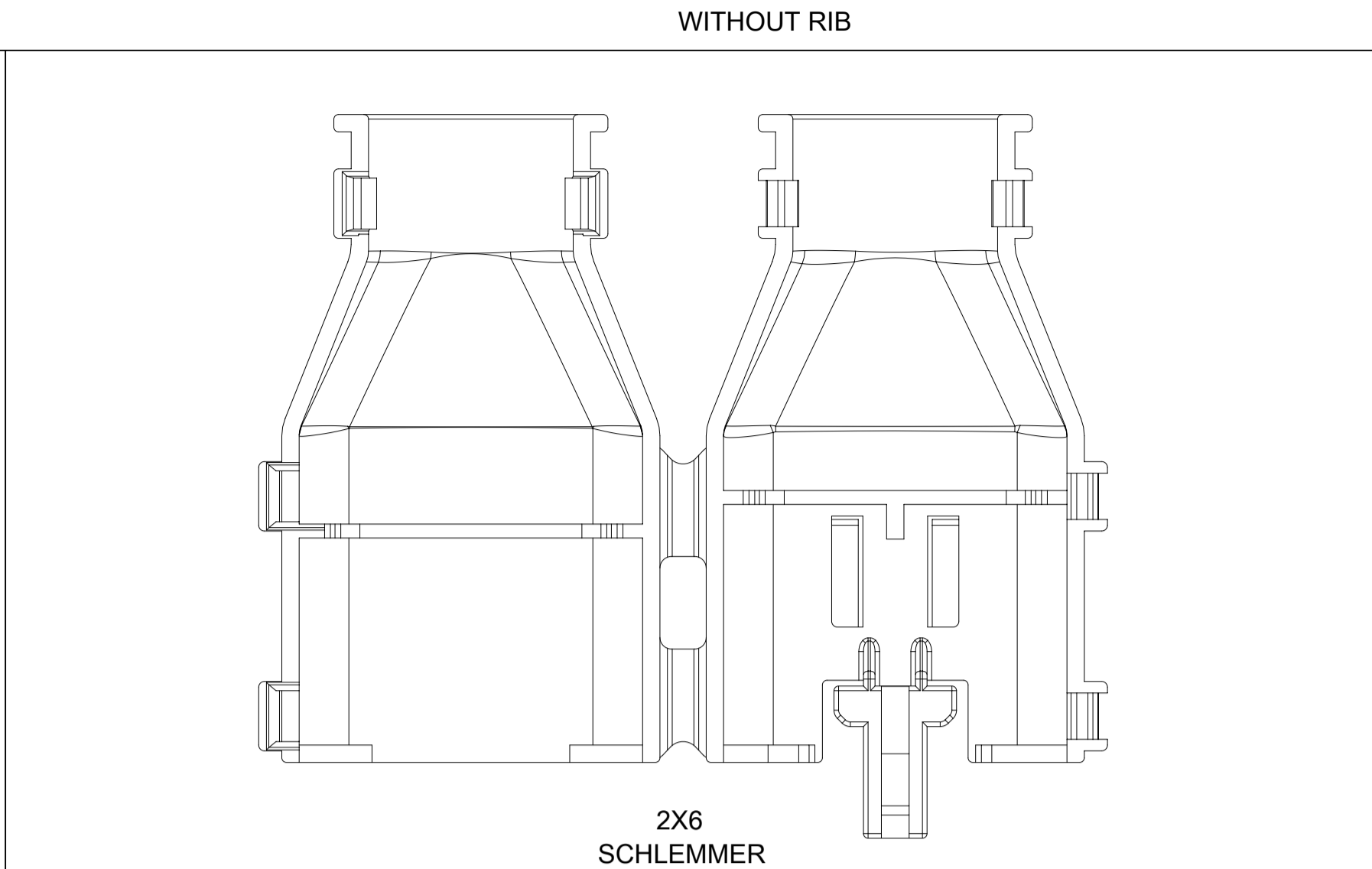
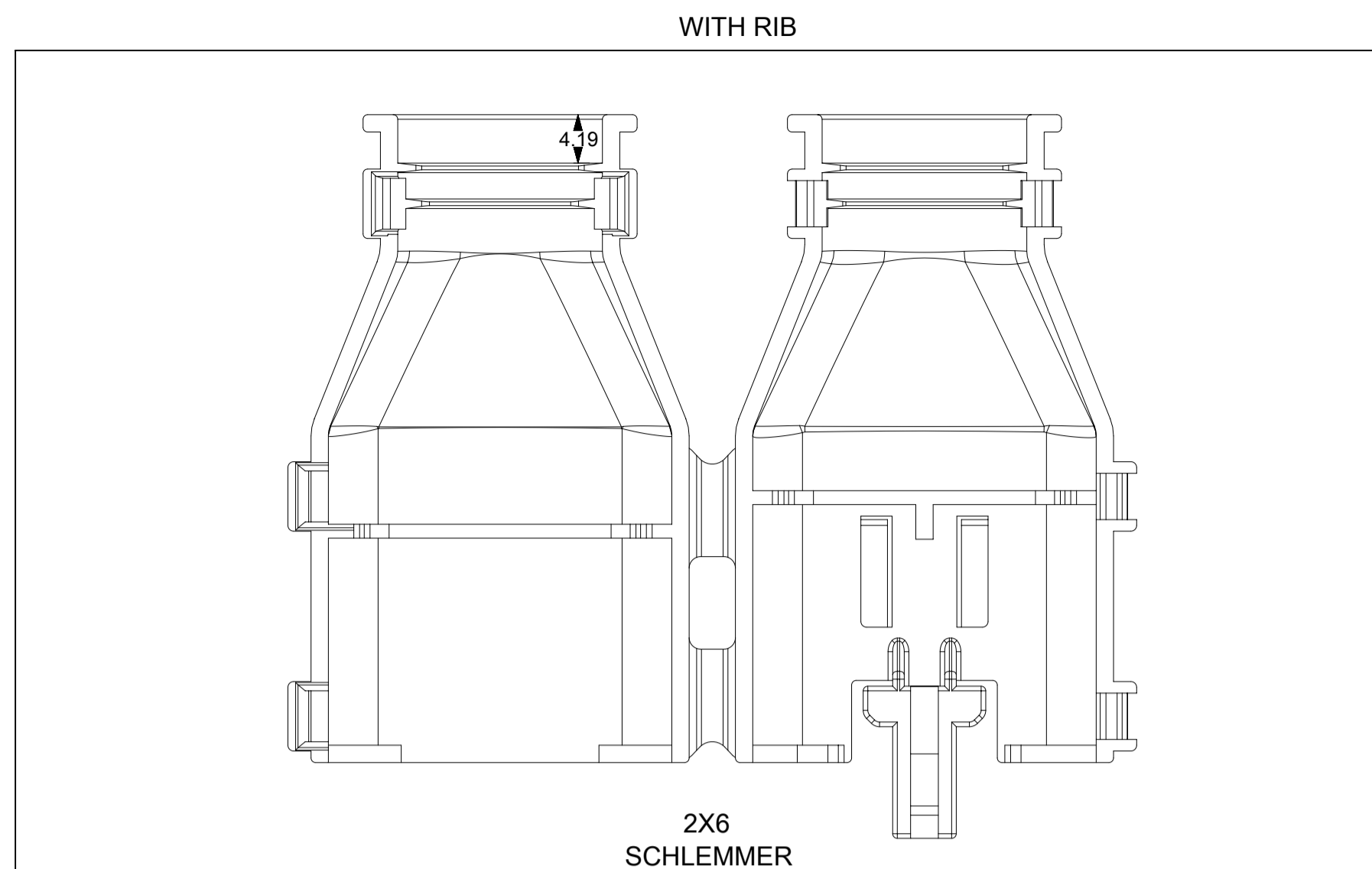
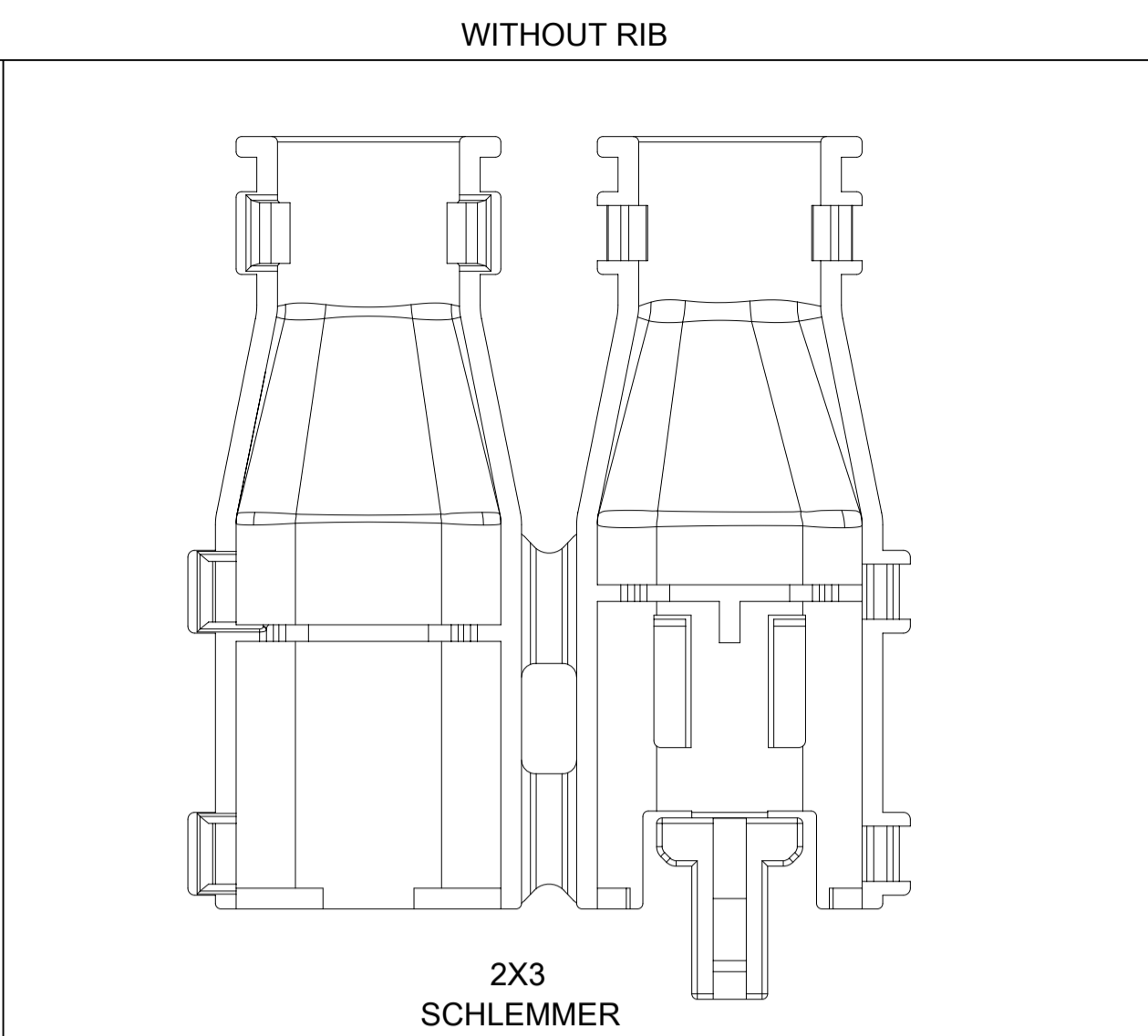
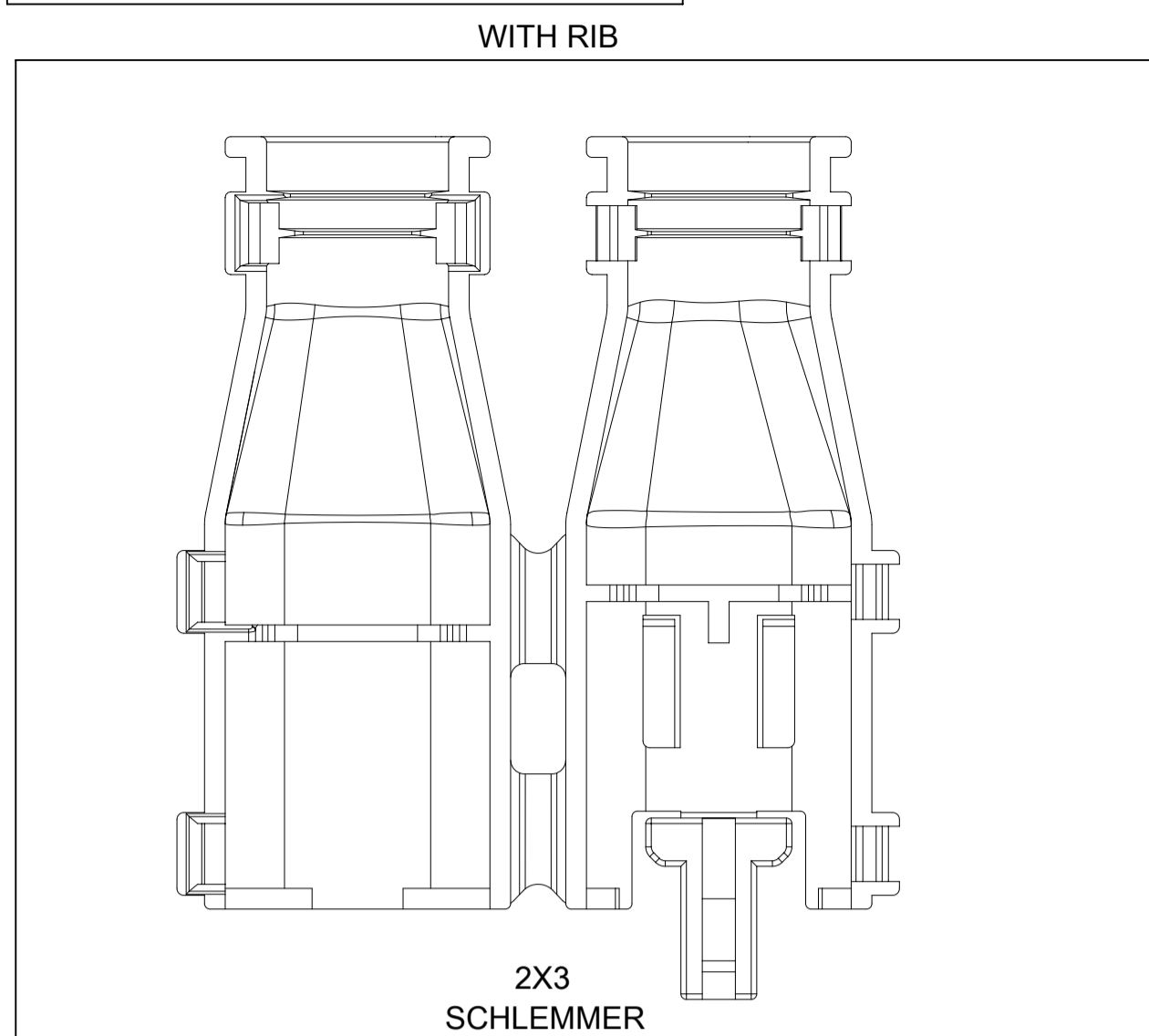
2X10 BLADE

B11	CHANGED DIMS ON SHEET 3 TO MATCH E DWG
B10	UPDATED BACKSHELL MANUFACTURER
B9	CHANGED PARTS STATUS TO SALEABLE
B8	ADDED BALLOON NO. 99
B7	UPDATED BALLOON NUMBERS
B6	UPDATED RIB AND WEDGE FEATURES
B4	UPDATED DIM 26 28 30 32
B3	UPDATED TOLERANCES
B2	ADDED BALLOONS & UPDATED BOM
B1	UPDATED NOTES
B	MIGRATION & ADDED MOLEX PART NUMBERS
A6	UPDATED BILL OF MATERIALS
A5	UPDATED STATUS COLUMN
A4	MINOR NOMENCLATURE CLEAN UP
A3	UPDATED VIEWSET & NOTES
A2	UPDATED REFERENCE DRAWINGS
A1	UPDATED NOTES
A	INITIAL RELEASE
REV	DESCRIPTION

INSPECTION NUMBER LOG	
LAST NUMBER:	1 - 5
ADDED:	26 28 30 32 34 35
	36 48 98 99
REMOVED:	26 30

QUALITY SYMBOLS FA = 0 FE = 0 FE = 0 ▼ = 0 C = 0 ☒ = 0 ■ = 0 ∇ = 0	THIS DRAWING CONTAINS INFORMATION THAT IS PROPRIETARY TO MOLEX ELECTRONIC TECHNOLOGIES, LLC AND SHOULD NOT BE USED WITHOUT WRITTEN PERMISSION			
	EC NO: 638031 DRWN: PPALLAN CHKD: MVANSLAMBROU APPR: MVANSLAMBROU	2020/05/20 2020/05/22 2020/05/22	GENERAL TOLERANCES (UNLESS SPECIFIED) DIMENSION UNITS: mm SCALE: 1:1 DRWN BY: DAHALL DATE: 2013/03/19 CHKD BY: [blank] DATE: [blank]	<p>MX150 DUAL ROW BLADE BACKSHELLS</p> <p>PRODUCT CUSTOMER DRAWING</p>
	4 PLACES ± 3 PLACES ± 2 PLACES ± 0.1 1 PLACE ± 0.2 0 PLACES ±	ANGULAR TOL ± 3.0 ° DRAFT WHERE APPLICABLE MUST REMAIN WITHIN DIMENSIONS	APPR BY: VKOSHY DATE: 2013/04/08 DRAWING SIZE: A1 THIRD ANGLE PROJECTION	
	B11	REV: [blank]	SERIES: 34950 MATERIAL NUMBER: [blank] CUSTOMER: GENERAL MARKET	
RELEASE STATUS: P1 RELEASE DATE: 2020/05/22 12:34:45	DOCUMENT NUMBER: SD-34950-0001 DOC TYPE: PSD DOC PART: 001 SHEET NUMBER: 1 OF 4	[blank]		

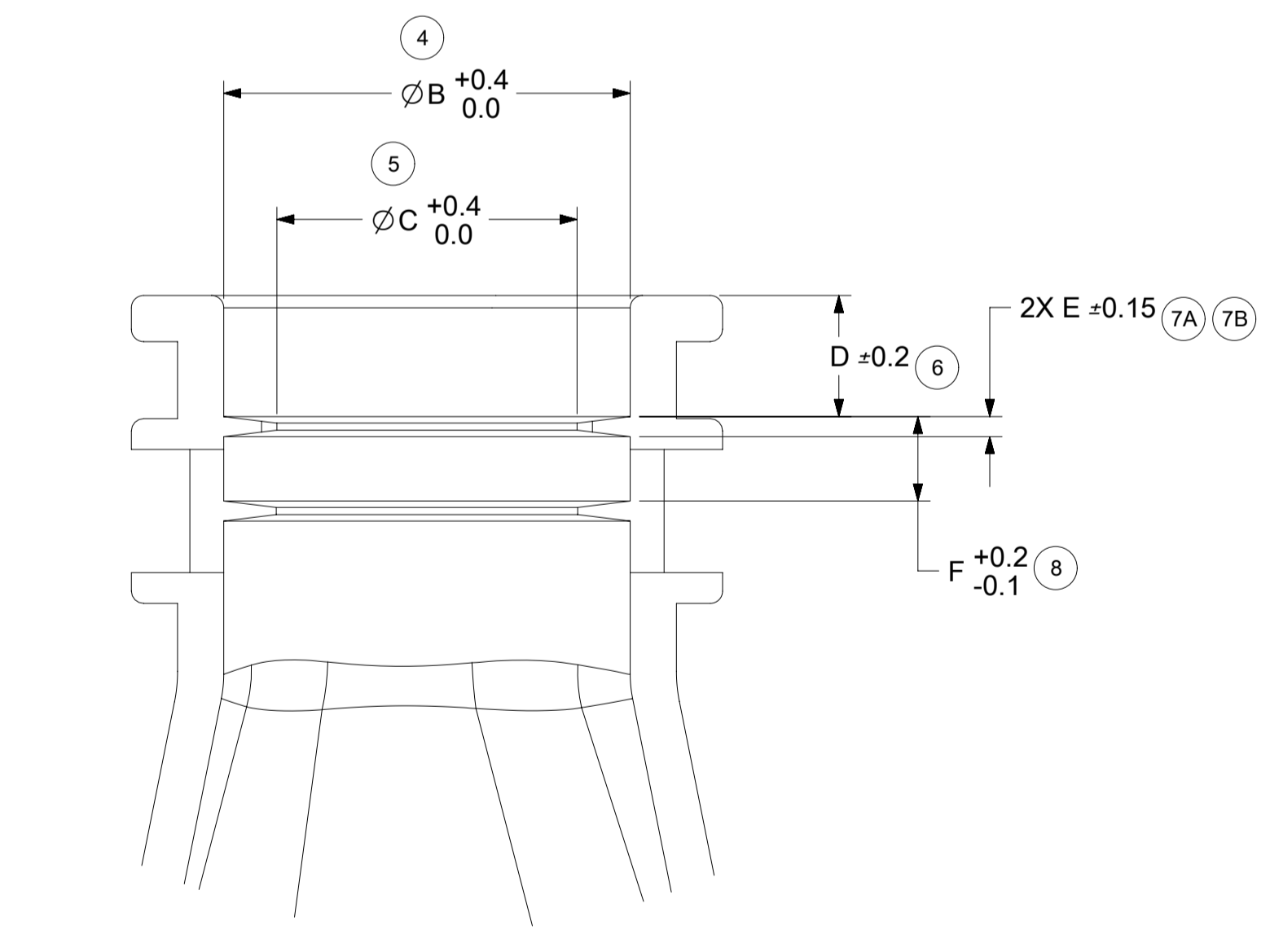
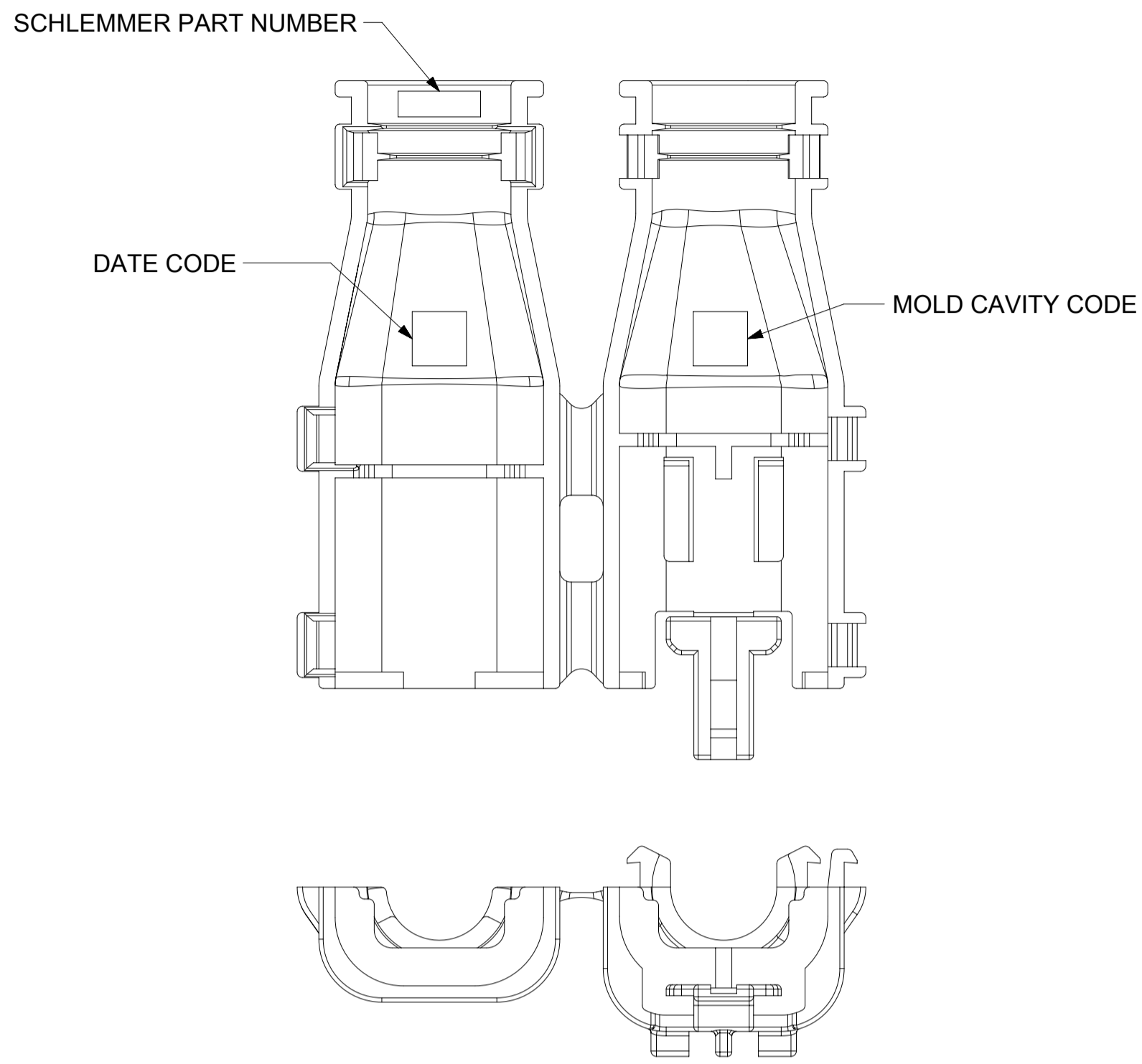
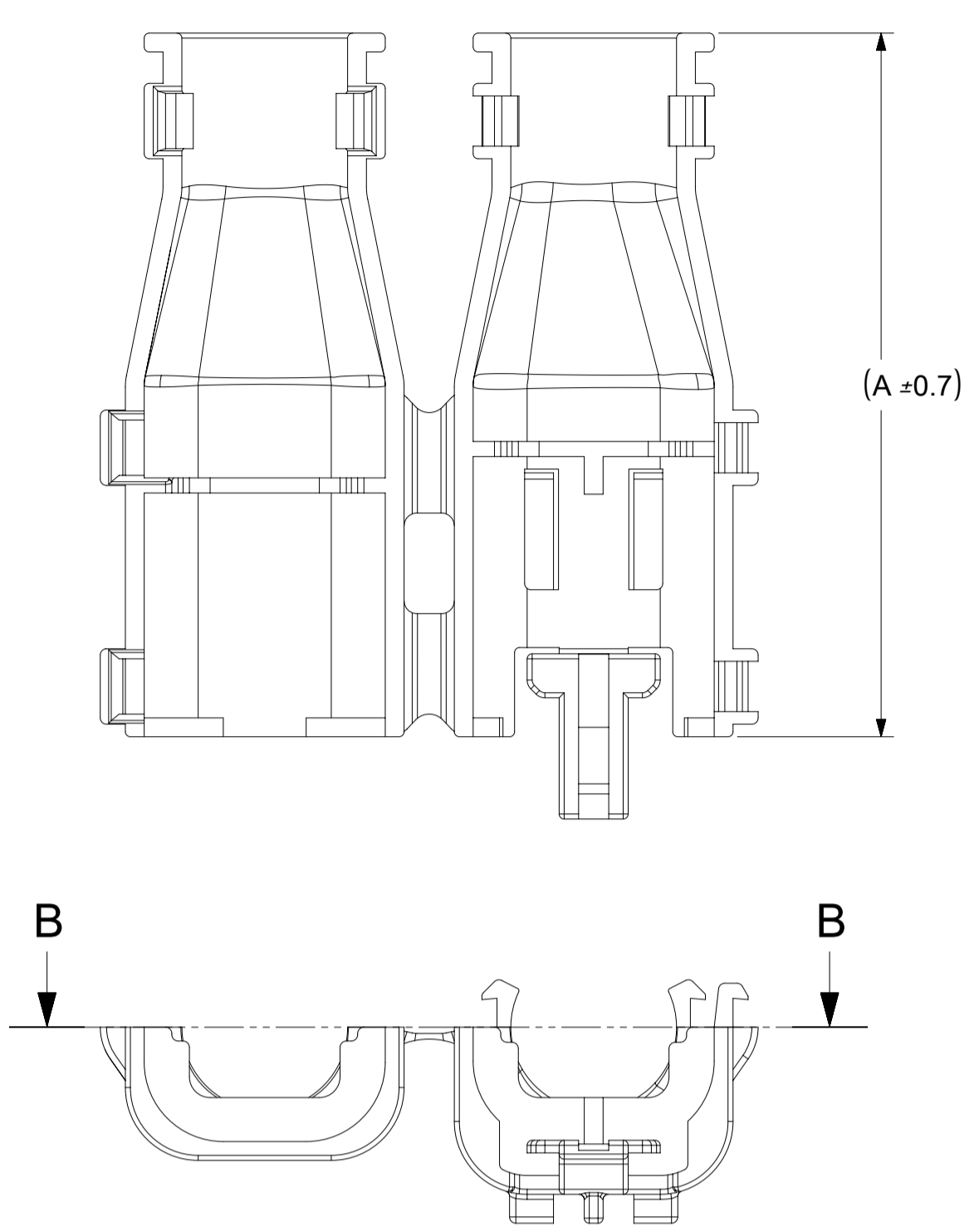
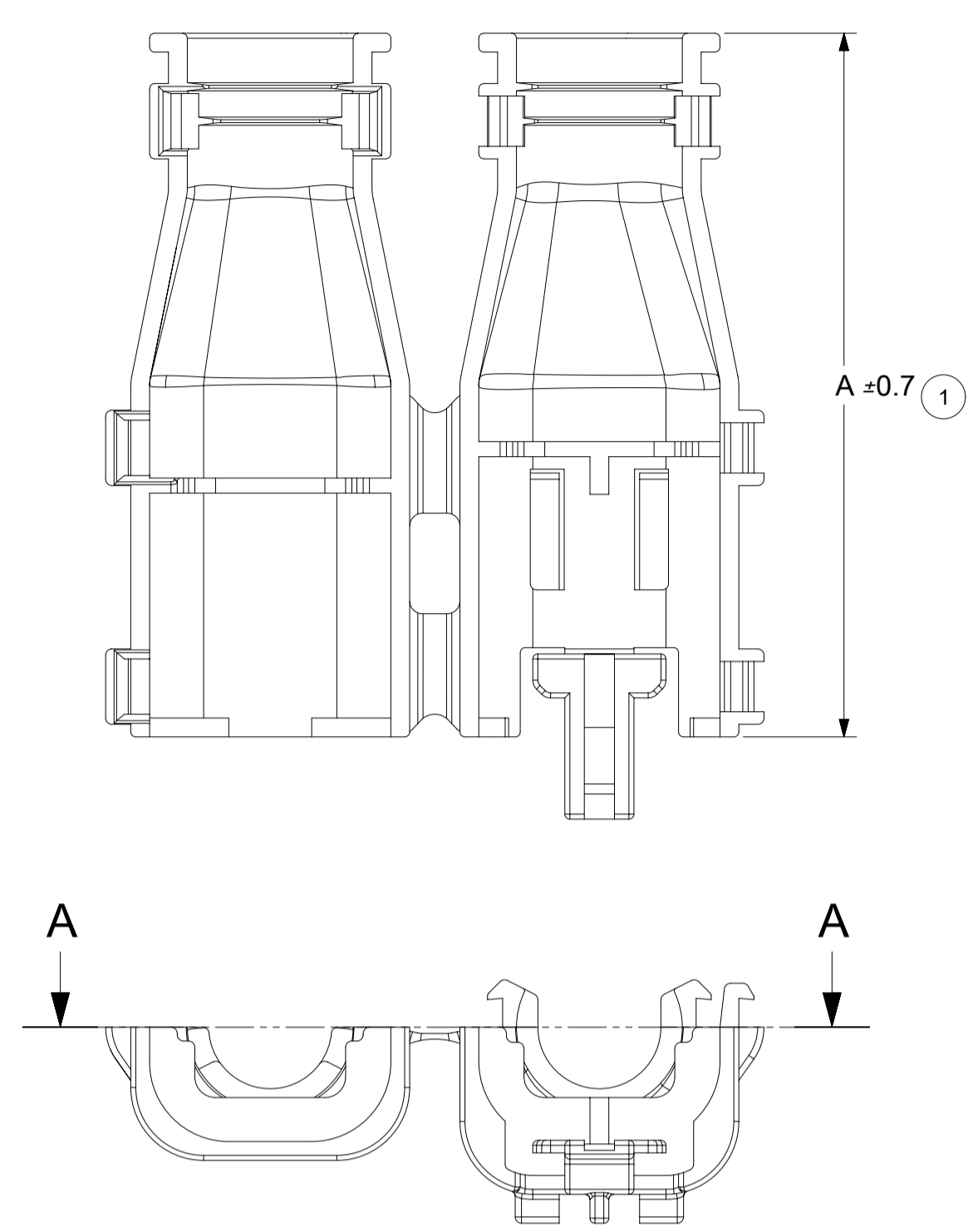
SHEET DESCRIPTION
CONFIGURATIONS



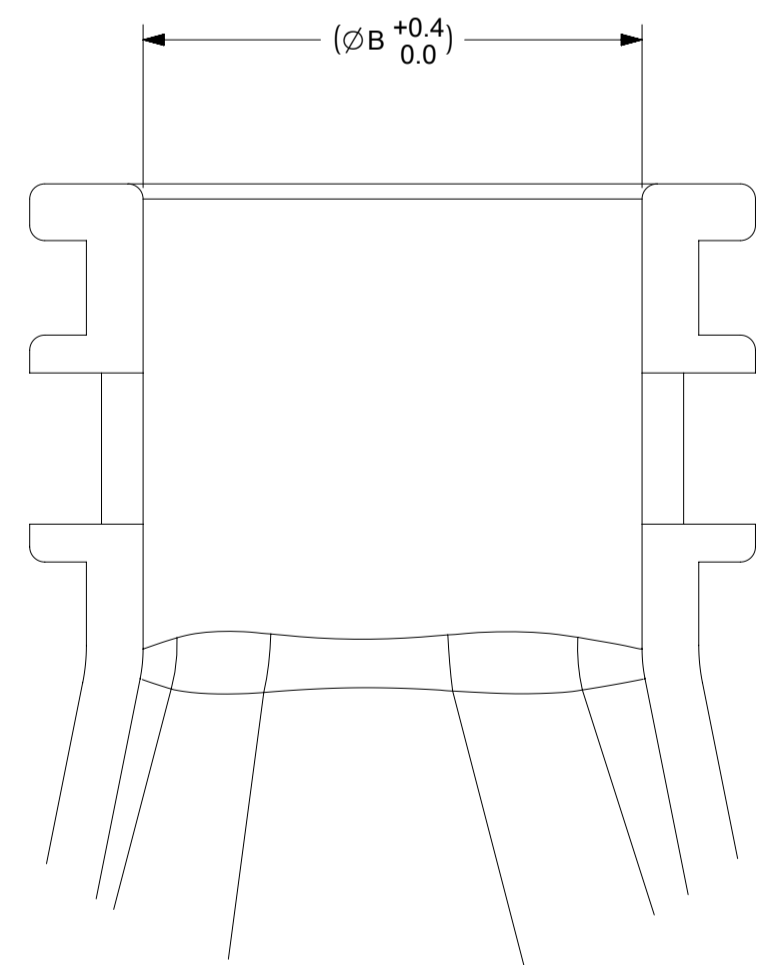
<p>QUALITY SYMBOLS</p> <ul style="list-style-type: none"> = 0 = 0 = 0 = 0 = 0 = 0 = 0 = 0 = 0 = 0 = 0 = 0 		<p>THIS DRAWING CONTAINS INFORMATION THAT IS PROPRIETARY TO MOLEX ELECTRONIC TECHNOLOGIES, LLC AND SHOULD NOT BE USED WITHOUT WRITTEN PERMISSION</p>		<p>GENERAL TOLERANCES (UNLESS SPECIFIED)</p> <p>ANGULAR TOL ± 3.0 °</p> <p>4 PLACES ±</p> <p>3 PLACES ±</p> <p>2 PLACES ± 0.1</p> <p>1 PLACE ± 0.2</p> <p>0 PLACES ±</p> <p>DRAFT WHERE APPLICABLE MUST REMAIN WITHIN DIMENSIONS</p>		<p>DIMENSION UNITS</p> <p>mm</p> <p>SCALE</p> <p>2:1</p>		<p>DRWN BY</p> <p>DAHALL</p> <p>DATE</p> <p>2013/03/19</p>		<p>CHK'D BY</p> <p>VKOSHY</p> <p>DATE</p> <p>2013/04/08</p>		<p>APPR BY</p> <p>DATE</p> <p>2013/04/08</p>		<p>DRAWING SIZE</p> <p>A1</p> <p>THIRD ANGLE PROJECTION</p>		<p>SERIES</p> <p>34950</p>		<p>MATERIAL NUMBER</p> <p>SD-34950-0001</p>		<p>CUSTOMER</p> <p>GENERAL MARKET</p>																											
<p>EC NO: 638031</p> <p>DRWN: PPALLAN</p> <p>CHKD: MVANSLAMBROU</p> <p>REV APPR: MVANSLAMBROU</p> <p>2020/05/20</p> <p>2020/05/22</p> <p>2020/05/22</p>		<p>B11</p>		<p>DRWN BY</p> <p>DAHALL</p> <p>DATE</p> <p>2013/03/19</p>		<p>CHK'D BY</p> <p>VKOSHY</p> <p>DATE</p> <p>2013/04/08</p>		<p>APPR BY</p> <p>DATE</p> <p>2013/04/08</p>		<p>DRAWING SIZE</p> <p>A1</p> <p>THIRD ANGLE PROJECTION</p>		<p>SERIES</p> <p>34950</p>		<p>MATERIAL NUMBER</p> <p>SD-34950-0001</p>		<p>CUSTOMER</p> <p>GENERAL MARKET</p>																															
<p>RELEASE STATUS</p> <p>P1</p>		<p>RELEASE DATE</p> <p>2020/05/22 12:34:45</p>		<p>DOCUMENT NUMBER</p> <p>SD-34950-0001</p>		<p>DOC TYPE</p> <p>PSD</p>		<p>DOC PART</p> <p>001</p>		<p>SHEET NUMBER</p> <p>2 OF 4</p>		<p>1</p>		<p>2</p>		<p>3</p>		<p>4</p>		<p>5</p>		<p>6</p>		<p>7</p>		<p>8</p>		<p>9</p>		<p>10</p>		<p>11</p>		<p>12</p>		<p>13</p>		<p>14</p>		<p>15</p>		<p>16</p>		<p>17</p>		<p>18</p>	

SHEET DESCRIPTION
SCHLEMMER BACKSHELL DETAIL

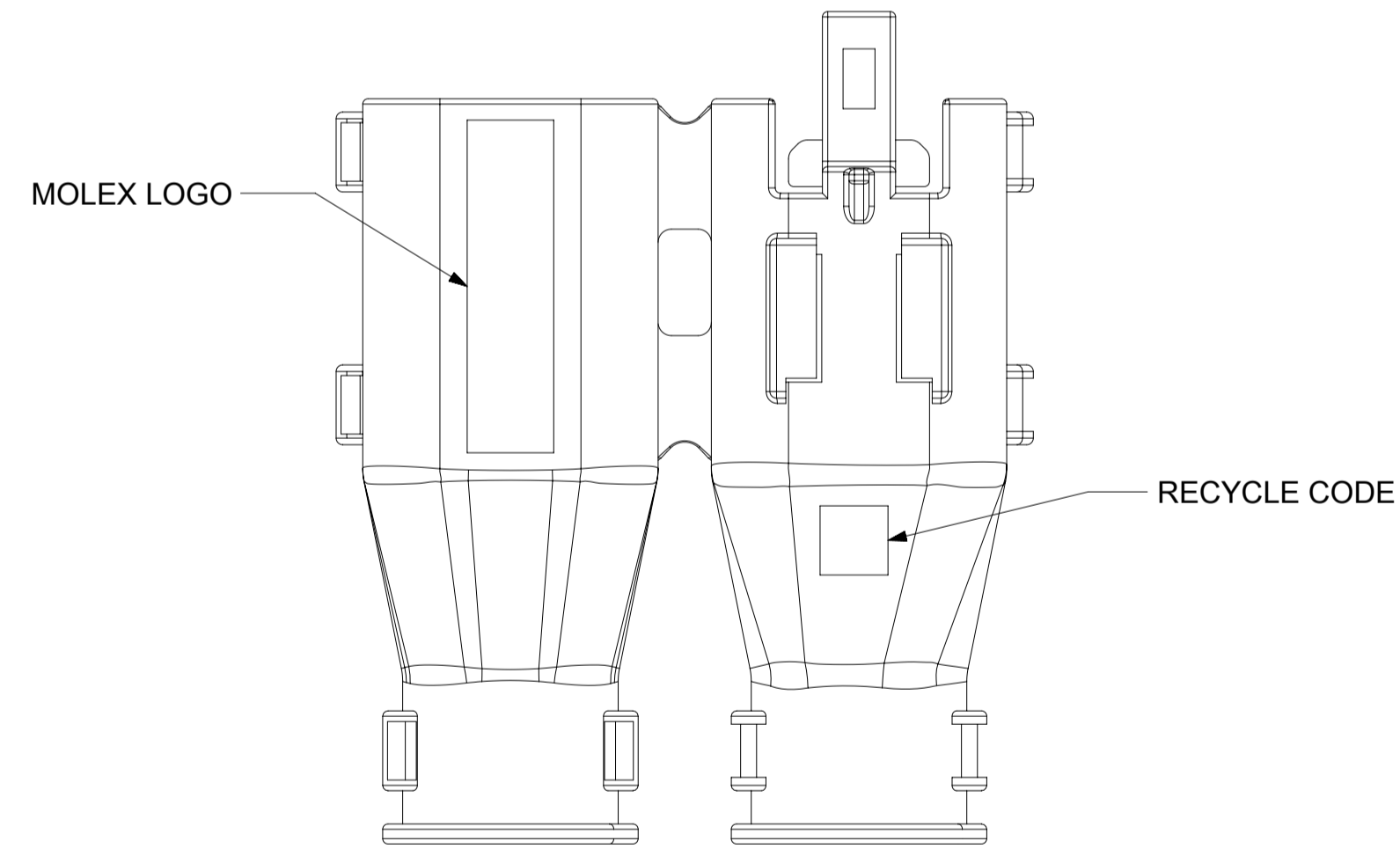
PART NUMBER	DIMENSIONS					
	A	B	C	D	E	F
2X3, WITH RIB	56.00	13.20	9.80	3.90	0.65	2.70
2X3, WITHOUT RIB	56.00	13.20	N/A	N/A	N/A	N/A
2X4, WITH RIB	TBD	TBD	TBD	TBD	TBD	TBD
2X4, WITHOUT RIB	TBD	TBD	TBD	TBD	TBD	TBD
2X6, WITH RIB	56.00	17.70	13.6	4.2	0.83	3.10
2X6, WITHOUT RIB	56.00	17.70	N/A	N/A	N/A	N/A



PARTIAL SECTION A-A
SCALE 5:1
WITH RIBS



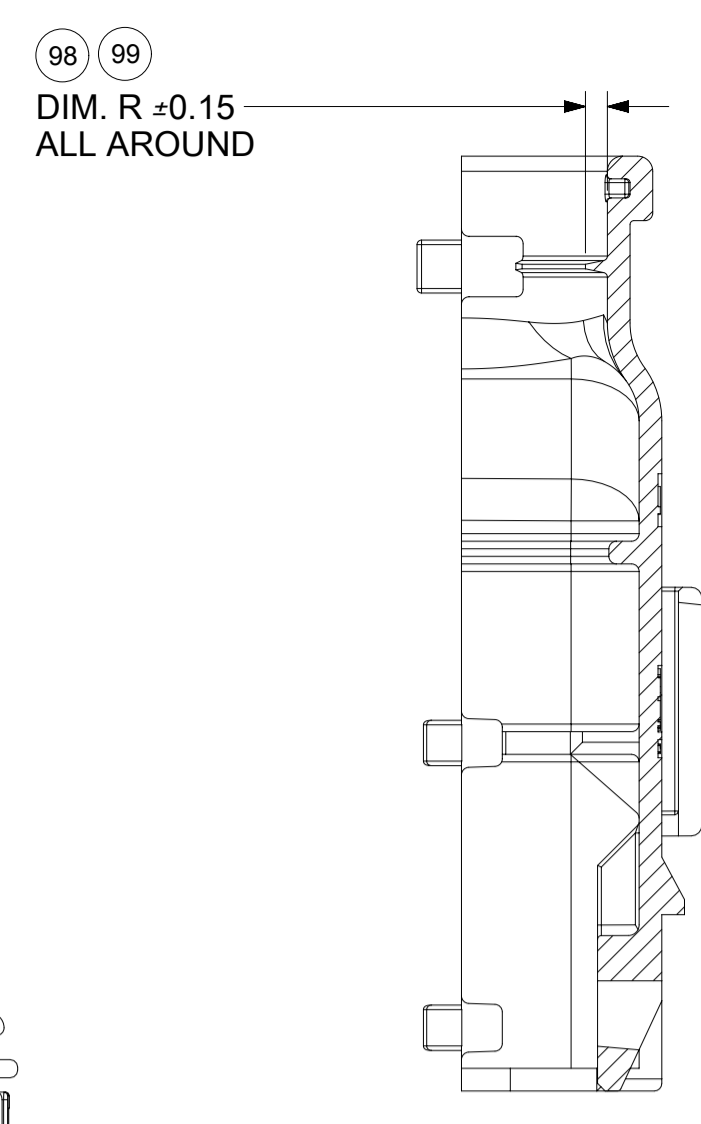
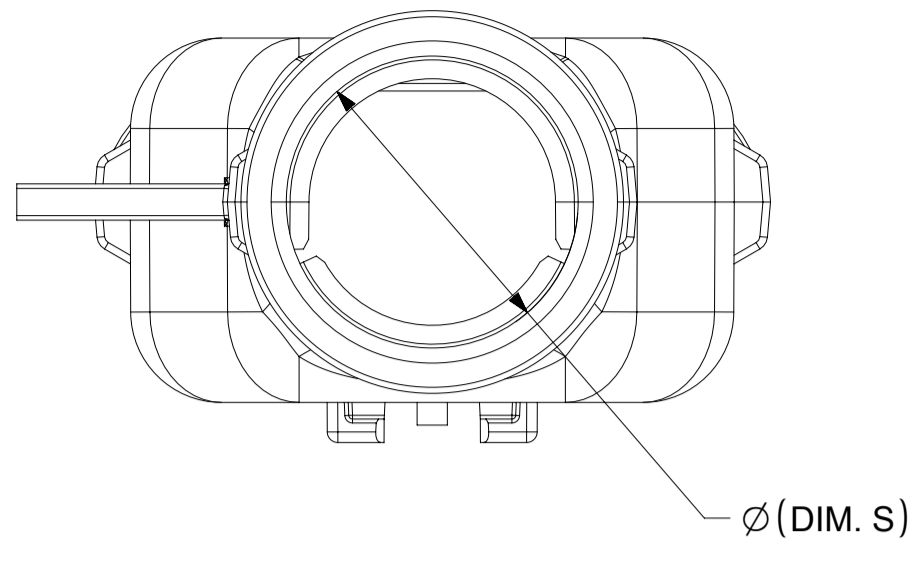
PARTIAL SECTION B-B
SCALE 5:1
WITHOUT RIBS



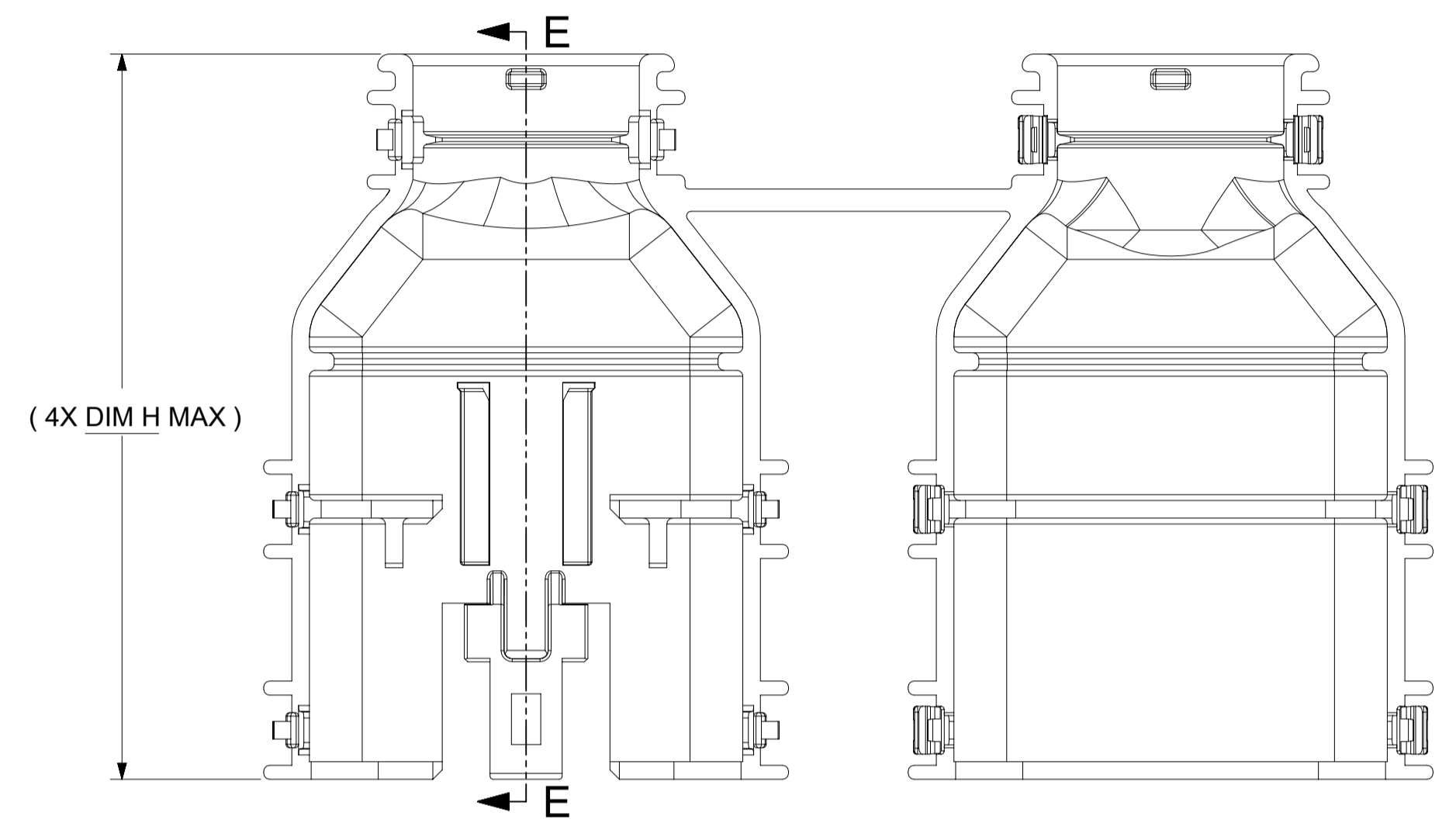
QUALITY SYMBOLS FA = 0 FE = 0 FE = 0 ▼ = 0 C = 0 ☒ = 0 ■ = 0 ∇ = 0	THIS DRAWING CONTAINS INFORMATION THAT IS PROPRIETARY TO MOLEX ELECTRONIC TECHNOLOGIES, LLC AND SHOULD NOT BE USED WITHOUT WRITTEN PERMISSION				molex [®] MX150 DUAL ROW BLADE BACKSHELLS	
	GENERAL TOLERANCES (UNLESS SPECIFIED) mm		DIMENSION UNITS mm			
	DRWN BY 2020/05/22 PPALLAN		DATE 2013/03/19		CHK'D BY DATE	
	APPR BY 2020/05/22 MVANSLAMBROU		DATE 2013/04/08		DRAWING SIZE A1	
EC NO: 638031 DRWN: PPALLAN CHKD: MVANSLAMBROU APPR: MVANSLAMBROU		DRAFT WHERE APPLICABLE MUST REMAIN WITHIN DIMENSIONS		THIRD ANGLE PROJECTION		
B11		A1		SERIES 34950		
RELEASE STATUS P1		RELEASE DATE 2020/05/22 12:34:45		MATERIAL NUMBER SD-34950-0001		
DOCUMENT NUMBER SD-34950-0001		DOC TYPE PSD		DOC PART 001		
SHEET NUMBER 3 OF 4		CUSTOMER GENERAL MARKET		CUSTOMER		

SHEET DESCRIPTION
MOLEX BACKSHELL DETAIL

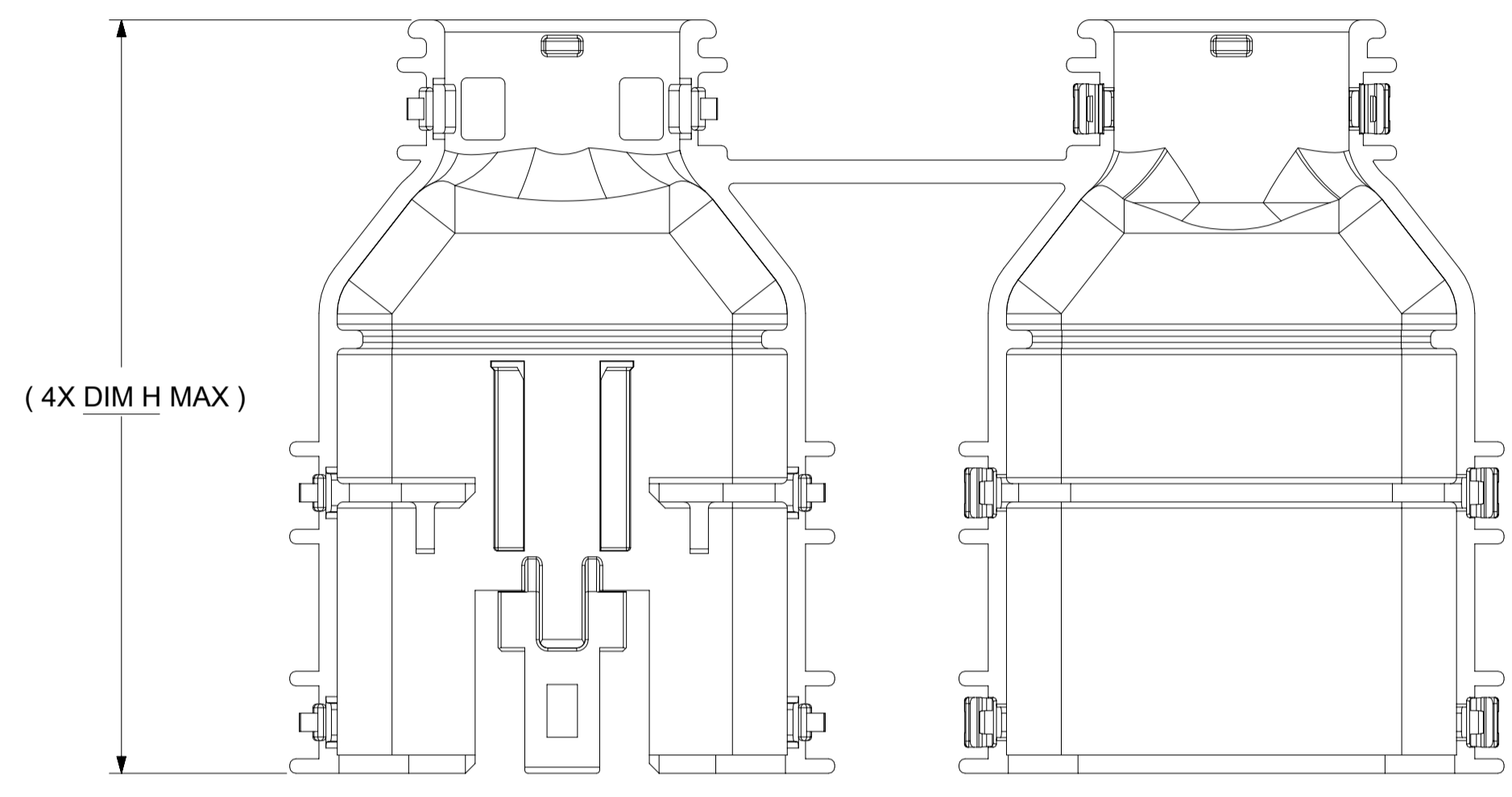
DESCRIPTION	CHARTED DIMENSION						
	H	J	K	L	M	S	R
2X4, WITH RIB	53.56	16.10	0.80	N/A	N/A	16.10	1.35
2X4, WITHOUT RIB	53.56	16.10	N/A	3.60	5.10	16.10	N/A
2X8, WITH RIB	62.01	19.30	0.80	N/A	N/A	19.30	1.45
2X8, WITHOUT RIB	62.01	19.30	N/A	3.60	5.10	19.30	N/A
2X10, WITH RIB	62.01	19.30	0.80	N/A	N/A	19.30	1.45
2X10, WITHOUT RIB	62.01	19.30	N/A	3.60	5.10	19.30	N/A



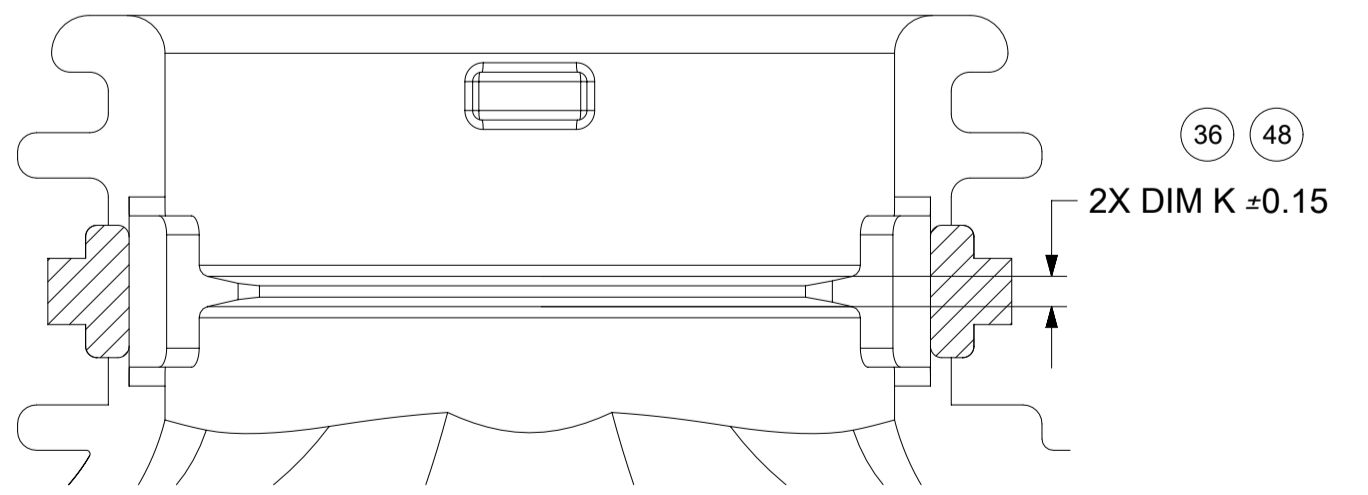
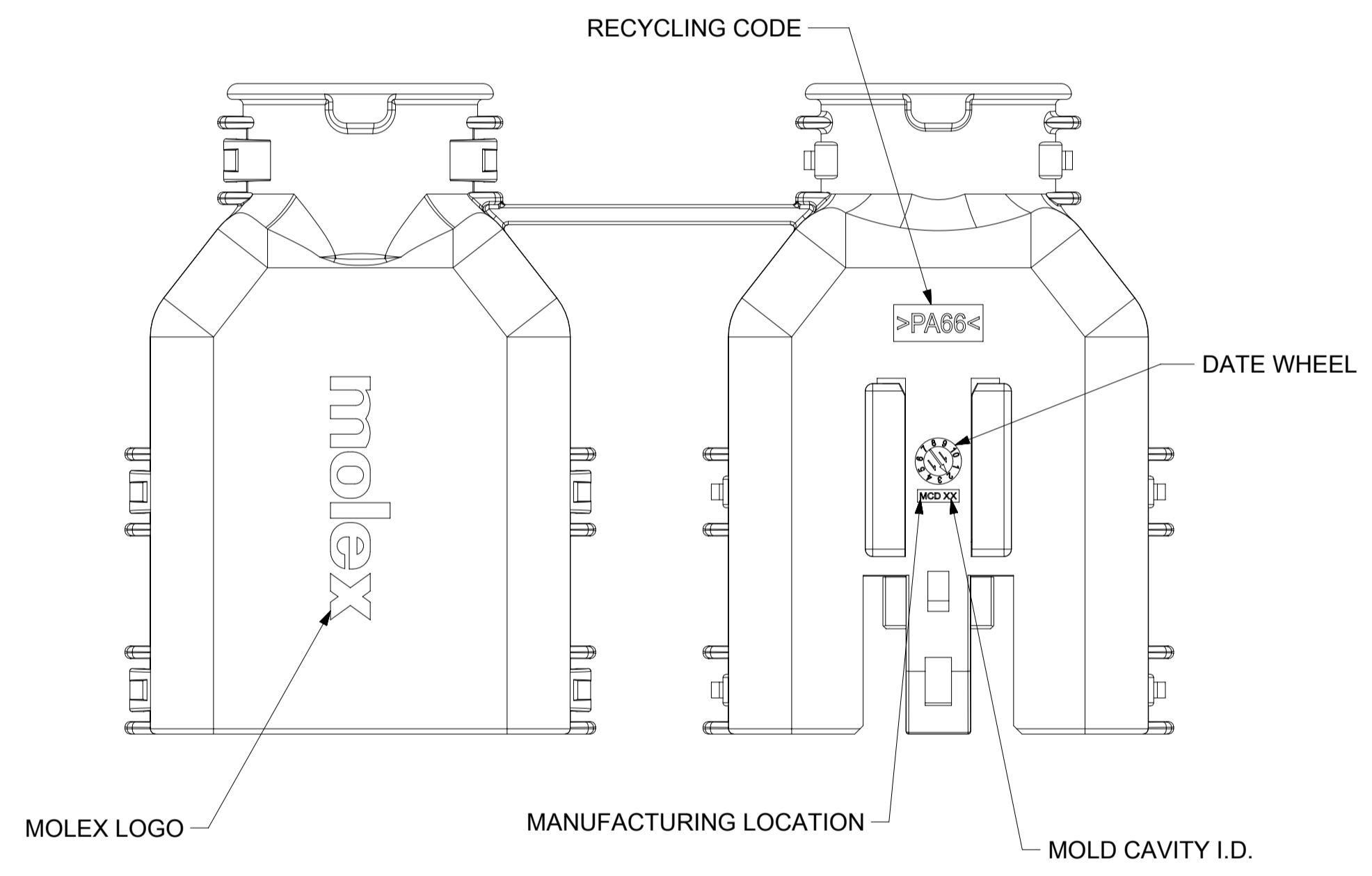
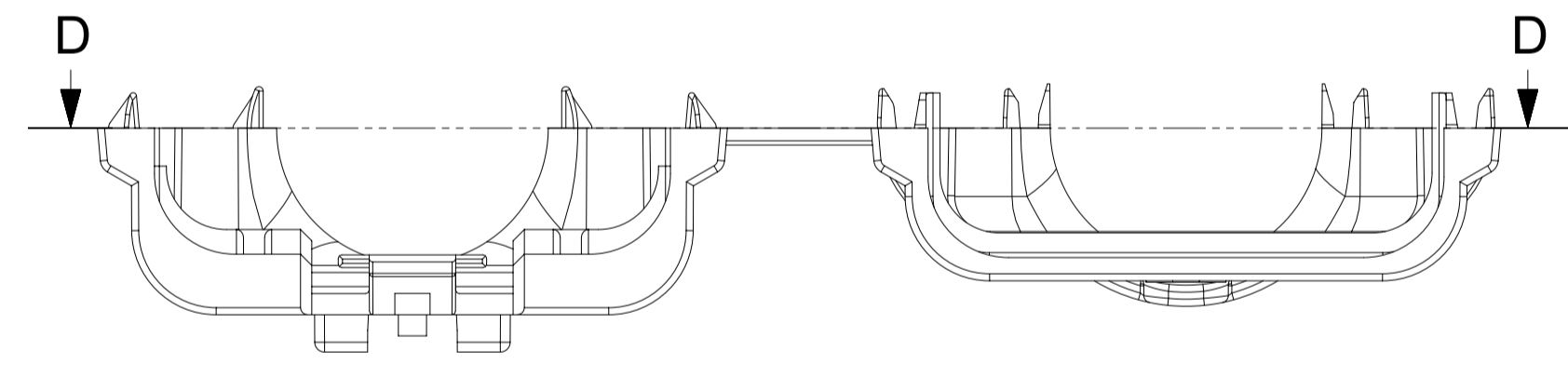
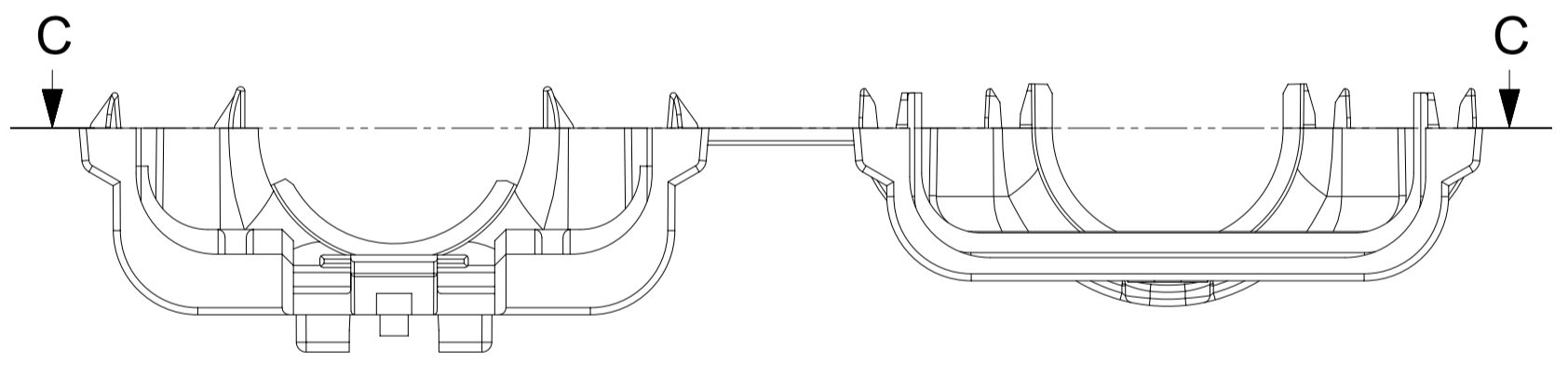
SECTION E-E



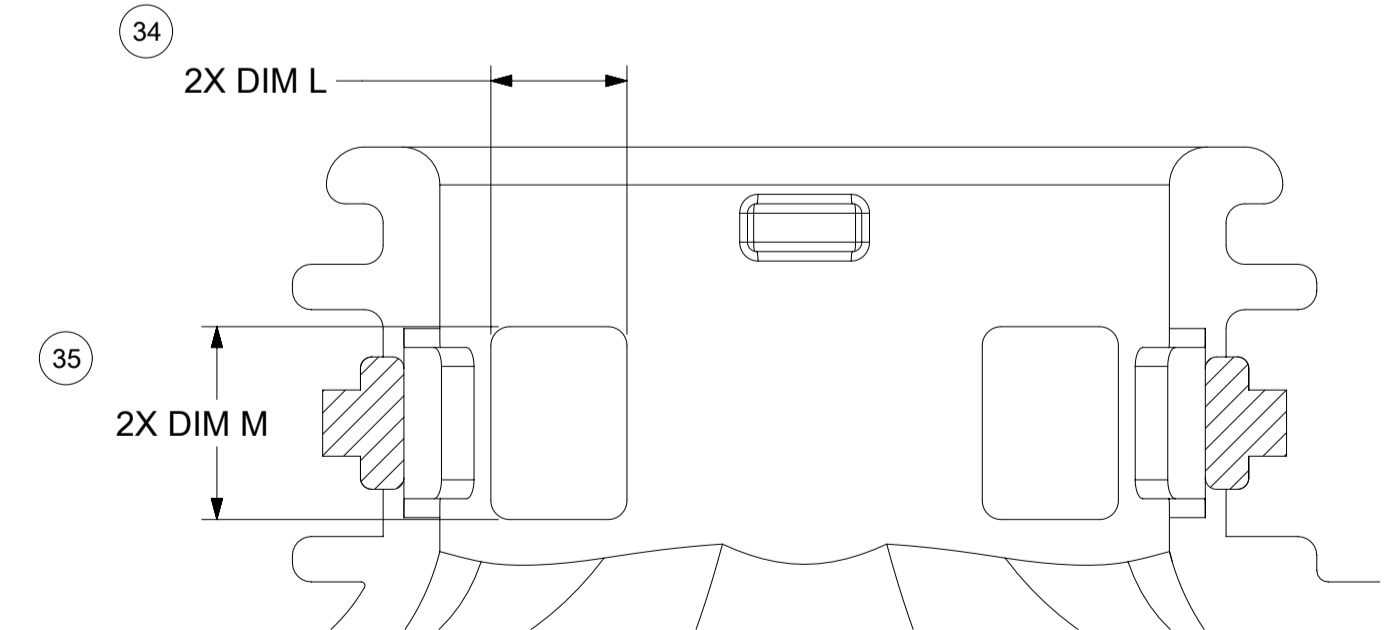
(4X DIM H MAX)



(4X DIM H MAX)



PARTIAL SECTION C-C
SCALE 5:1
WITH RIBS



PARTIAL SECTION D-D
SCALE 5:1
WITHOUT RIBS

QUALITY SYMBOLS FA = 0 FE = 0 FE = 0 ▼ = 0 C = 0 ☒ = 0 ■ = 0 ∇ = 0		THIS DRAWING CONTAINS INFORMATION THAT IS PROPRIETARY TO MOLEX ELECTRONIC TECHNOLOGIES, LLC AND SHOULD NOT BE USED WITHOUT WRITTEN PERMISSION		GENERAL TOLERANCES (UNLESS SPECIFIED) DIMENSION UNITS: mm SCALE: 2:1 DRWN BY: DAHALL DATE: 2013/03/19 CHK'D BY: [blank] DATE: [blank] APPR BY: VKOSHY DATE: 2013/04/08			
EC NO: 638031 DRWN: PPALLAN CHKD: MVANSLAMBROU APPR: MVANSLAMBROU		2020/05/20 2020/05/22 2020/05/22		ANGULAR TOL ± 3.0 ° 4 PLACES ± 3 PLACES ± 2 PLACES ± 0.1 1 PLACE ± 0.2 0 PLACES ±		PRODUCT CUSTOMER DRAWING	
B11		DRAFT WHERE APPLICABLE MUST REMAIN WITHIN DIMENSIONS		DRAWING SIZE: A1 THIRD ANGLE PROJECTION		SERIES: 34950 MATERIAL NUMBER: [blank] CUSTOMER: GENERAL MARKET	
RELEASE STATUS: P1 RELEASE DATE: 2020/05/22 12:34:45		DOCUMENT NUMBER: SD-34950-0001 DOC TYPE: PSD DOC PART: 001 SHEET NUMBER: 4 OF 4		[blank]		[blank]	