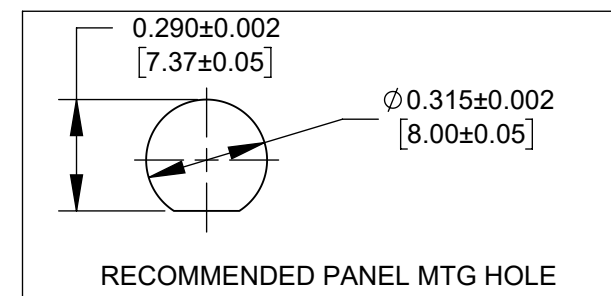
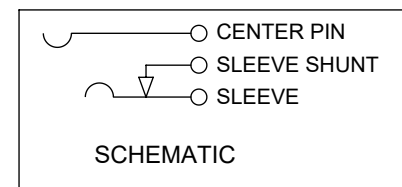
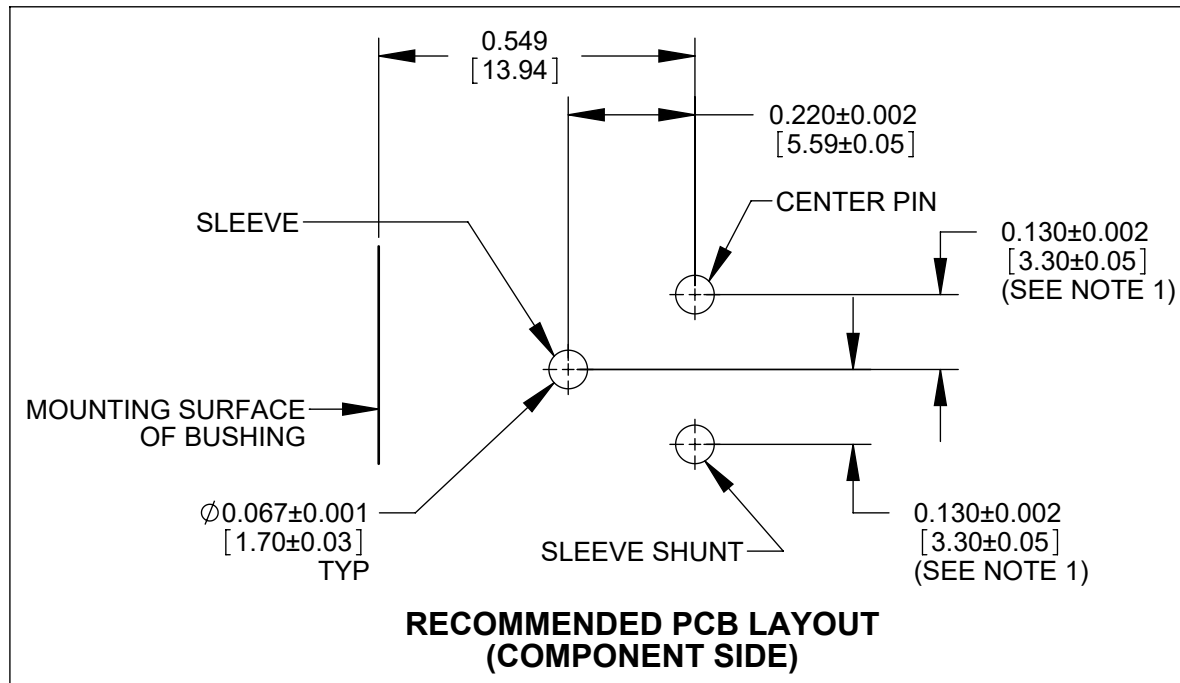
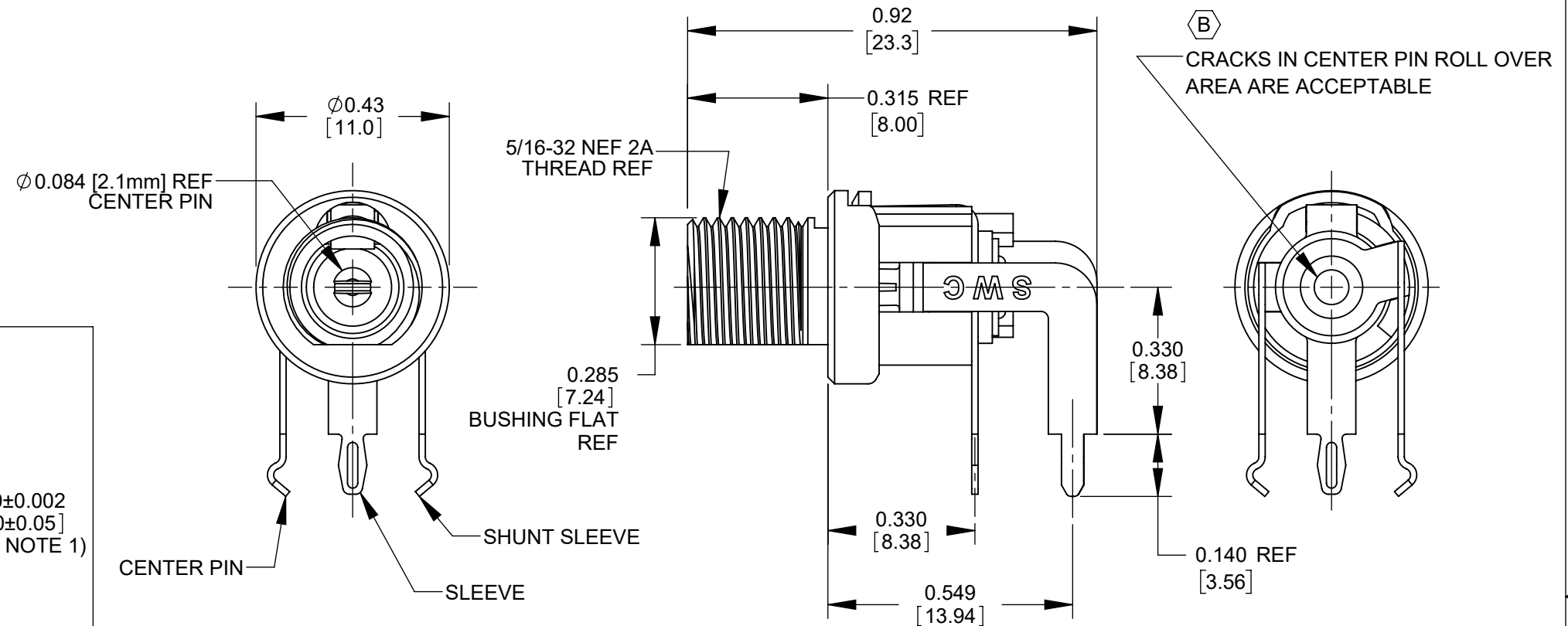


PART NUMBER	DESCRIPTION	SWITCHCRAFT MATING 2.1mm POWER PLUGS
L721RA	2.1mm POWER JACK, LONG BUSHING, RIGHT-ANGLE PC	767K, 768K



NOTES:

- FOR HAND INSERTION USE SPACING 0.130 [3.30]
FOR AUTOMATED INSERTION USE SPACING 0.135 [3.43]
- DIMENSIONS SHOWN FOR REFERENCE ONLY.
- HEX NUT AND FLAT WASHER SUPPLIED UNASSEMBLED.
- MATERIAL:
HOUSING, HEX NUT - COPPER ALLOY, NICKEL PLATED
INSULATOR HOUSING - THERMOPLASTIC, RED
TERMINAL INSULATORS - PHENOLIC
FLAT WASHER - STEEL, NICKEL PLATED
PIN, SPRING, TERMINALS - COPPER ALLOY, SILVER PLATED
- IT IS RECOMMENDED THAT THE JACK MOUNTING NUT BE TIGHTENED SNUG BY HAND BEFORE APPLYING A FINAL TIGHTENING TORQUE OF 8-10 LB-IN USING HAND TOOLS ONLY. POWER DRIVER OR IMPACT DRIVERS ARE NOT RECOMMENDED.
- THESE PRODUCTS ARE RoHS COMPLIANT

CUSTOMER DRAWING

REVISIONS					UNLESS OTHERWISE SPECIFIED				THIS DRAWING DESCRIBES A DESIGN CONSIDERED PROPRIETARY IN NATURE, DEVELOPED AND MANUFACTURED BY SWITCHCRAFT INC. AND IS RELEASED ON A CONFIDENTIAL BASIS FOR IDENTIFICATION PURPOSES ONLY.				
REV	ECO NUMBER	DATE	BY	APVD	1. ALL DIMENSIONS IN INCHES [mm] - TWO PLACE DECIMALS ±0.02 [0.5] - THREE PLACE DECIMALS ±0.005 [0.13]				SIZE	WIDTH	MULT	LBS/M	TEMPER
B	28397	06/11/21	PC	TJK					FINISH		MATERIAL		
A	27987	01/08/18	PC	TJK					SPEC No.		SPEC No.		
									FIRST USED ON		SCALE 3:1		
									DATE DRAWN	BY	CHKD	APVD	Switchcraft®
									02/09/17	PNK	PNK	SRC	
									NAME		PART No.		
									2.1mm POWER JACK		L721RA		
									LONG BUSHING, RIGHT-ANGLE PC, RoHS		REV B		