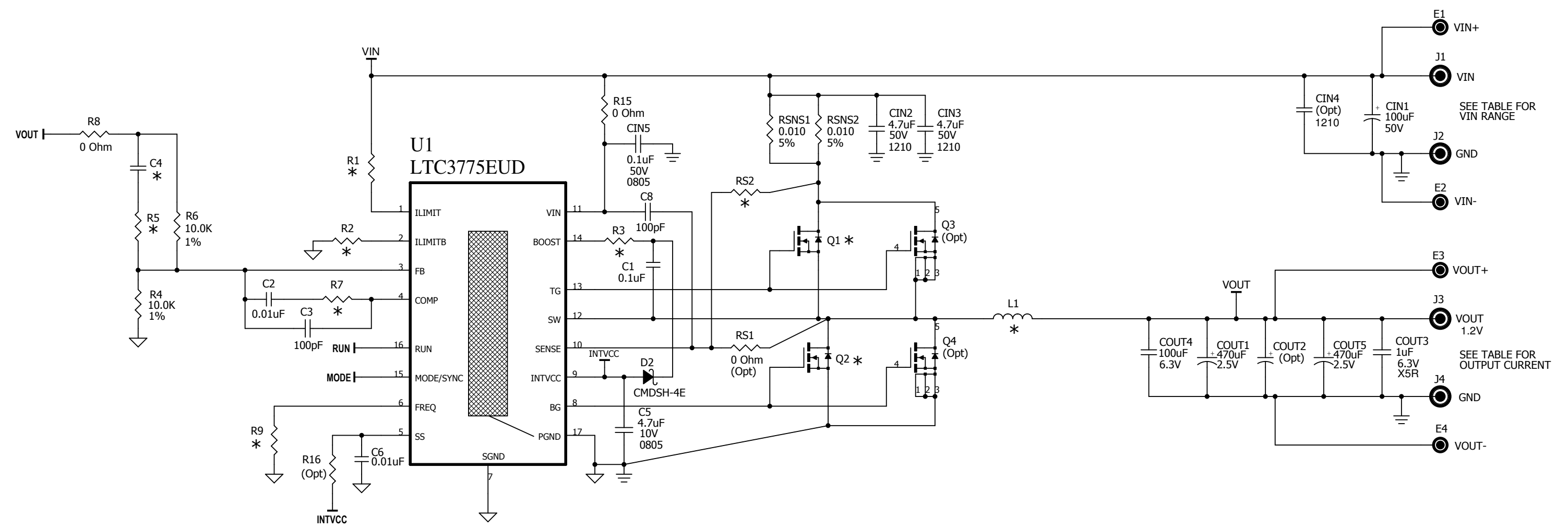


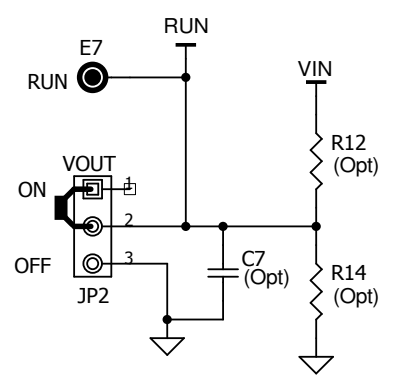
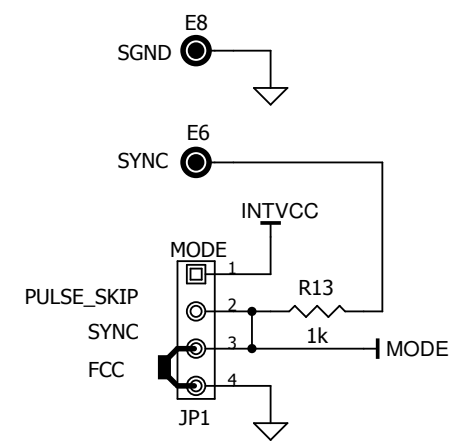
REVISION HISTORY				
ECO	REV	DESCRIPTION	APPROVED	DATE
	2	PRODUCTION	Johan S	11-xx-09

ASSY	VIN	VOUT	FREQ	L1	C4	R1	R2	R3	R5	R7	R9	RS2	Q1	Q2
-A	5V - 26V	15A	500kHz	0.39uH	2200pF	2.15K	73.2K	2.2	1K	1.50K	38.3K	0 OHM	RJK0305DPB	RJK0330DPB
-B	5V - 36V	10A	330kHz	1.1uH	4700pF	1.62K	31.6K	4.7	2K	3.6K	57.6K	200 OHM	BSC093N04LSG	BSC016N04LSG



SEE TABLE FOR VIN RANGE

SEE TABLE FOR OUTPUT CURRENT



<p><b>CUSTOMER NOTICE</b></p> <p>LINEAR TECHNOLOGY HAS MADE A BEST EFFORT TO DESIGN A CIRCUIT THAT MEETS CUSTOMER-SUPPLIED SPECIFICATIONS; HOWEVER, IT REMAINS THE CUSTOMER'S RESPONSIBILITY TO VERIFY PROPER AND RELIABLE OPERATION IN THE ACTUAL APPLICATION. COMPONENT SUBSTITUTION AND PRINTED CIRCUIT BOARD LAYOUT MAY SIGNIFICANTLY AFFECT CIRCUIT PERFORMANCE OR RELIABILITY. CONTACT LINEAR TECHNOLOGY APPLICATIONS ENGINEERING FOR ASSISTANCE.</p> <p>THIS CIRCUIT IS PROPRIETARY TO LINEAR TECHNOLOGY AND SUPPLIED FOR USE WITH LINEAR TECHNOLOGY PARTS.</p>	CONTRACT NO.	<p>1630 McCarthy Blvd. Milpitas, CA 95035 Phone: (408)432-1900 www.linear.com Fax: (408)434-0507 LTC Confidential-For Customer Use Only</p>
	APPROVALS	
	PCB DES. RB	
	ENG. Johan S	
	TITLE: SCHEMATIC	
	HIGH FREQUENCY SYNCHRONOUS STEP-DOWN CONVERTER	
	SIZE NA	IC NO. LTC3775EUD
		REV 2
	DATE: Tuesday, December 08, 2009	SHEET 1 OF 1