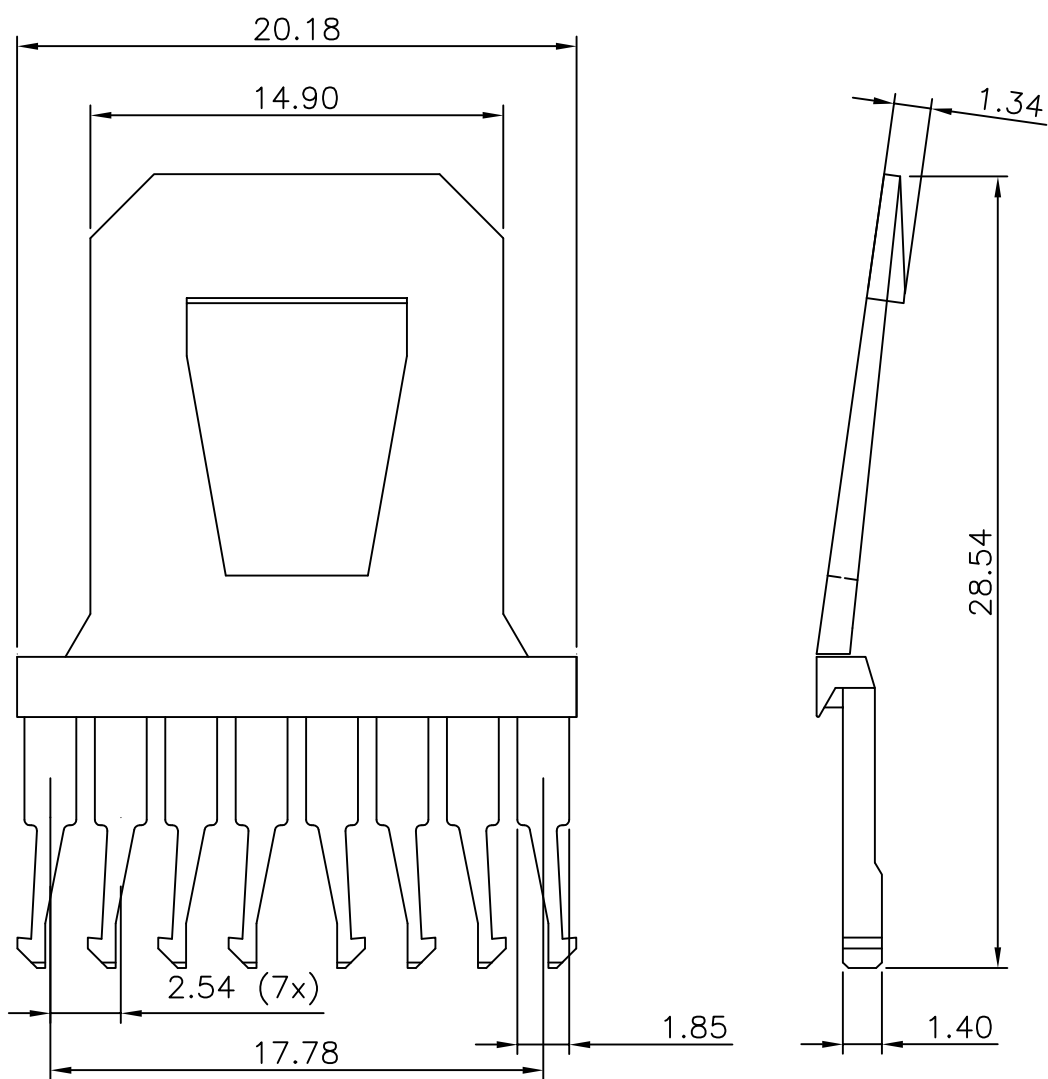


PRODUCT NUMBER  
BPBH9L0

MATERIAL : GLASS-REINFORCED THERMOPLASTIC  
UL-RATED 94-V-0 (COLOR : BLACK)



NOTES:-

1. THIS PRODUCT MEETS EUROPEAN UNION DIRECTIVES AND OTHER COUNTRY REGULATIONS AS DESCRIBED IN GS-22-008.
2. LEADFREE OR RoHS DIRECTIVE LABELLING TO BE PROVIDED AS PER GS-14-920.
3. " LF " SUFFIX TO PRODUCT NUMBER FOR RoHS COMPATIBLE/ LEADFREE VERSION.
4. PARTS WITH AND WITHOUT "LF " SUFFIX ARE FORM-FIT AND FUNCTIONALLY IDENTICAL.  
" LF " SUFFIX PROVIDED FOR PART NUMBER STANDARDISATION OF PART THAT MEETS RoHS REQUIREMENTS.

mat'l. code SEE NOTES				surface ISO 1302 <input checked="" type="checkbox"/> ISO 406 ISO 1101		projection 		product family HB			
ltr				ecn no		dr		date		title LOCKING KEY 16 POS.	
A				FO0833		DLE		2000-11-08		tolerances unless otherwise specified	
B				I05-0248		MINI		2005-11-22		0.1 ±0.2	
C				I06-0115		MINI		2006-07-11		0.01 ±0.1	
										mm	
										scale -	
				dr		D.LEGRAND		2000-11-08		dwg no	
				enr		J.F.NOTTEAU		2000-11-08		sheet 1 of 1	
				chr		RAKHEE GEORGE		2006-07-11		size A4	
				app		RAKHEE GEORGE		2006-07-11		type CUSTOMER Drawing	
sheet index		revision		C							
		sheet		1							



Copyright FCI

A

B

C

D

A

B

C

D