

MATERIALS & SPECIFICATIONS

PART NO.	A22039-001	REV	ECO	DATE	APP
		C	98556	05-18-12	TLM

INSULATOR:
LIQUID CRYSTAL POLYMER (LCP) PER ASTM D5138.

CONTACT:
COPPER ALLOY PER MIL-DTL-83513. GOLD PLATE PER ASTM B488,
(HARD GOLD) TYPE II CODE C, CLASS 1.27.

TERMINATION:
COPPER ALLOY PER MIL-DTL-83513 GOLD PLATED PER ASTM B488,
(HARD GOLD) TYPE II CODE C CLASS 1.27.

LATCH BOX:
BERYLLIUM COPPER PER ASTM B194 NICKEL PLATE PER AMS-C-26074.

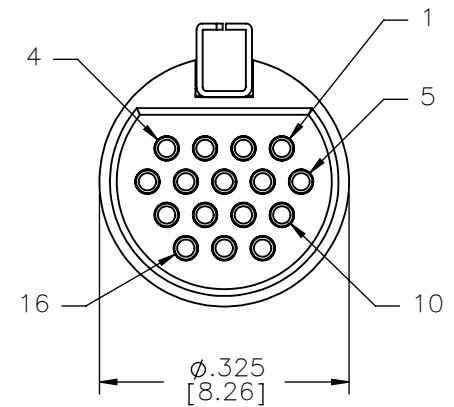
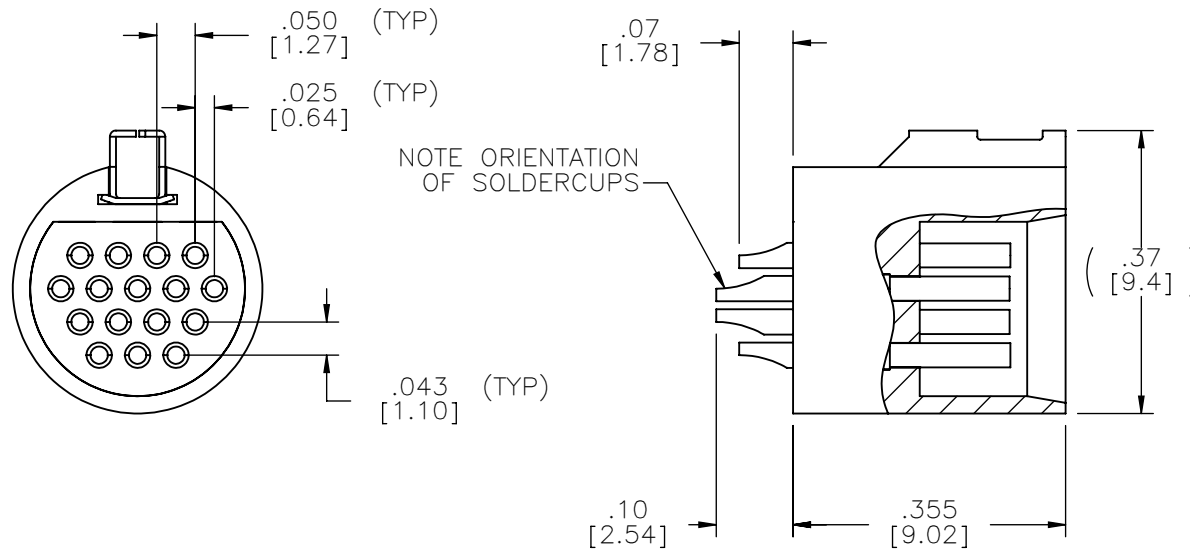
CURRENT CAPACITY:
3 AMP MAX.

CONTACT RESISTANCE:
26 MILLIOHMS (65mV) MAX @ 2.5 AMPS.

PERFORMANCE:
PRODUCT FAMILY TESTED TO AND PASSED THE PERFORMANCE
SPECIFICATIONS OF TABLE VII OF MIL-DTL-83513.



ACTUAL SIZE



RoHS

MCS	THIRD ANGLE
	UNLESS OTHERWISE NOTED
S/DWG	DIMENSIONS IN INCHES
	2 PL DEC ± .01
	3 PL DEC ± .005
	4 PL DEC ± .0005
	ANGLES ± 1°

THIS DRAWING CONTAINS CONFIDENTIAL AND PROPRIETARY INFORMATION WHICH IS THE PROPERTY OF OMNETICS CONNECTOR CORP. THIS DOCUMENT MAY NOT, IN WHOLE OR IN PART, BE DUPLICATED, OR DISCLOSED FOR ANY PURPOSE, WITHOUT WRITTEN PERMISSION FROM OMNETICS CONNECTOR CORP.	
DFTM. TLM	DATE 04-11-08
CHK'D.	DATE
APP'D.	DATE

TITLE:
(16) SOCKET FEMALE
MICRO CIRCULAR
CONNECTOR /W LATCH

OMNETICS
CONNECTOR CORPORATION
7260 COMMERCE CIRCLE EAST
MINNEAPOLIS, MN 55432
WWW.OMNETICS.COM

CAGE CODE 61873	
DWG NO. A22039-001	
SHEET 1 OF 1	REV C
SCALE: 4:1	