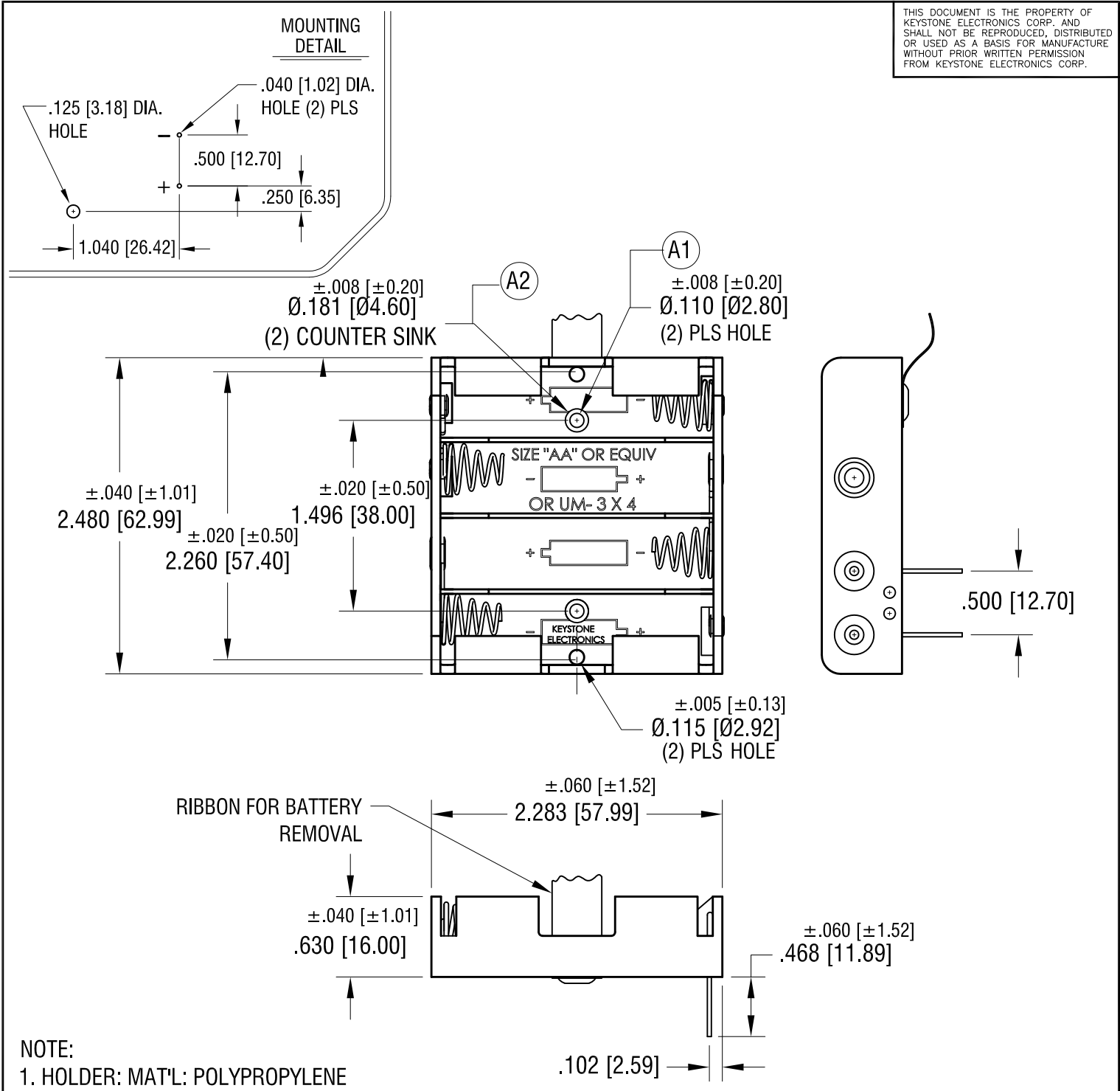


THIS DOCUMENT IS THE PROPERTY OF KEYSTONE ELECTRONICS CORP. AND SHALL NOT BE REPRODUCED, DISTRIBUTED OR USED AS A BASIS FOR MANUFACTURE WITHOUT PRIOR WRITTEN PERMISSION FROM KEYSTONE ELECTRONICS CORP.



NOTE:
 1. HOLDER: MAT'L: POLYPROPYLENE
 SPRING: MAT'L: MUSIC WIRE, .027 [0.70] DIA.
 PC TERMINALS: MAT'L: BRASS, .032 [0.81] DIA.
 RIBBON: MAT'L: NYLON, RED

ADD (A1) AND (A2)

3.26.19	CHANGE AS PER ECN 19-041	A
DATE	DESCRIPTION	REV.

KEYSTONE ELECTRONICS CORP.			
www.keyelco.com • NEW HYDE PARK, NY 11040 • Tel (516) 328-7500			
PART NAME PC BATTERY HOLDER (4) 'AA' W/ RIBBON			
MATERIAL AS NOTED			
FINISH NICKEL PLATE	DRN BY BOONE	DATE 12.1.03	
	APP'D LN	SCALE .9X	
TOLERANCES INCH [MM] DECIMAL ±.015 [±0.38] ANGULAR ±1° UNLESS OTHERWISE SPECIFIED	CODE C	DWG NO.	2477RB