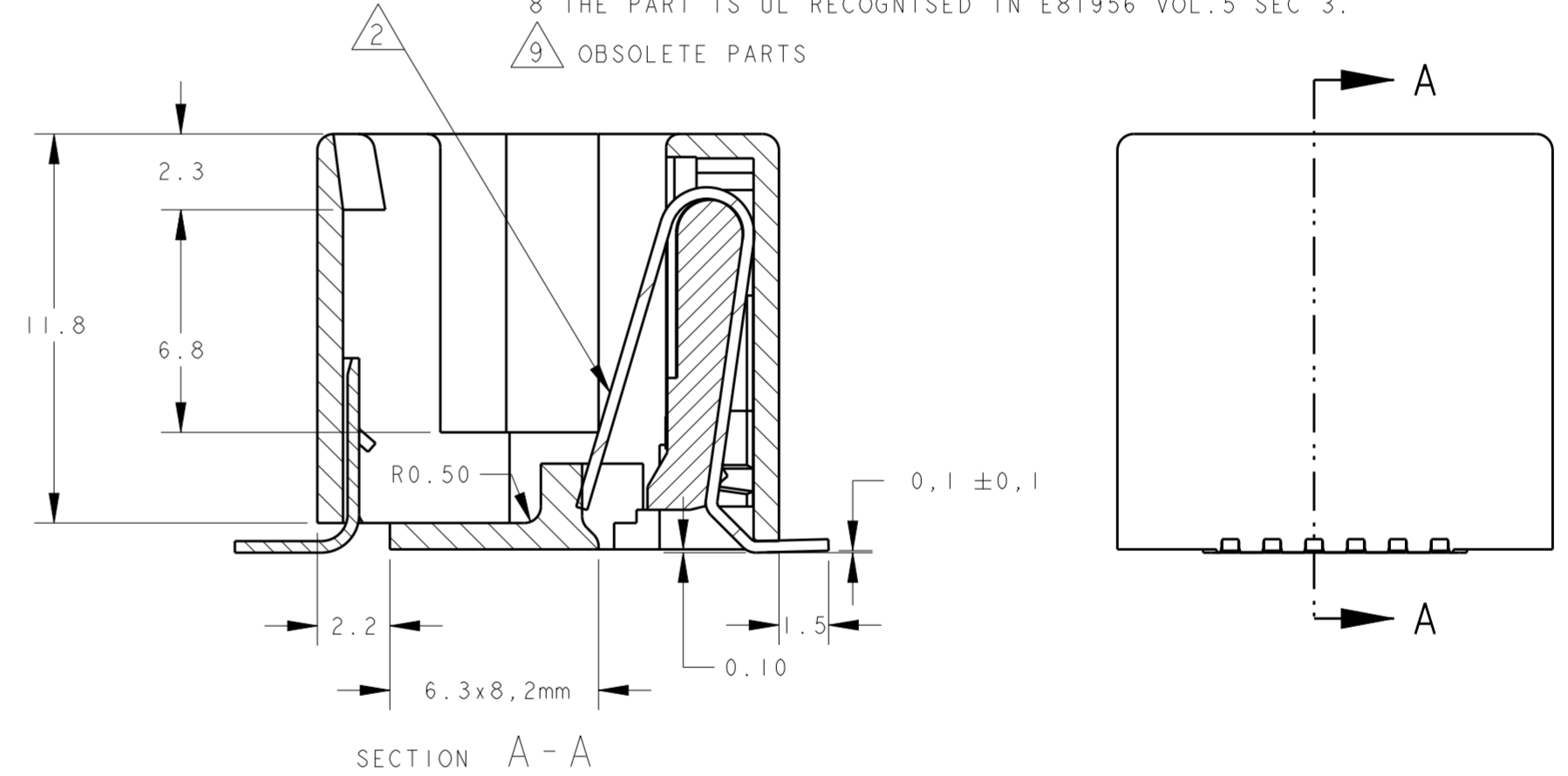
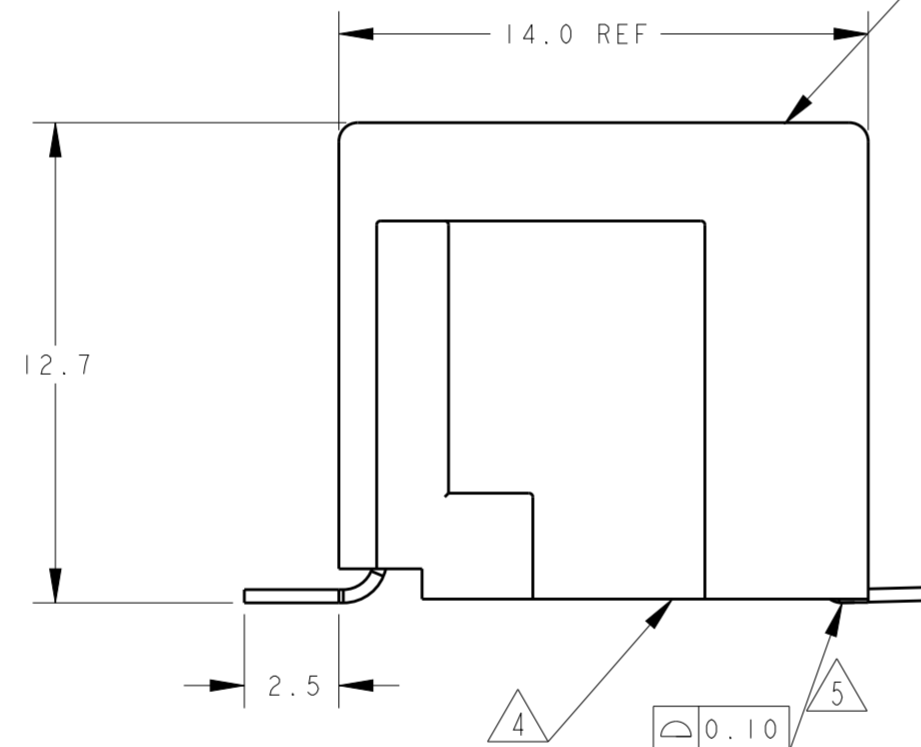
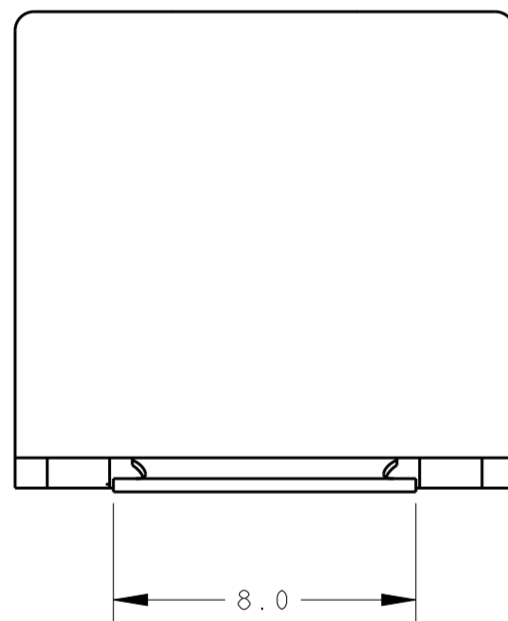
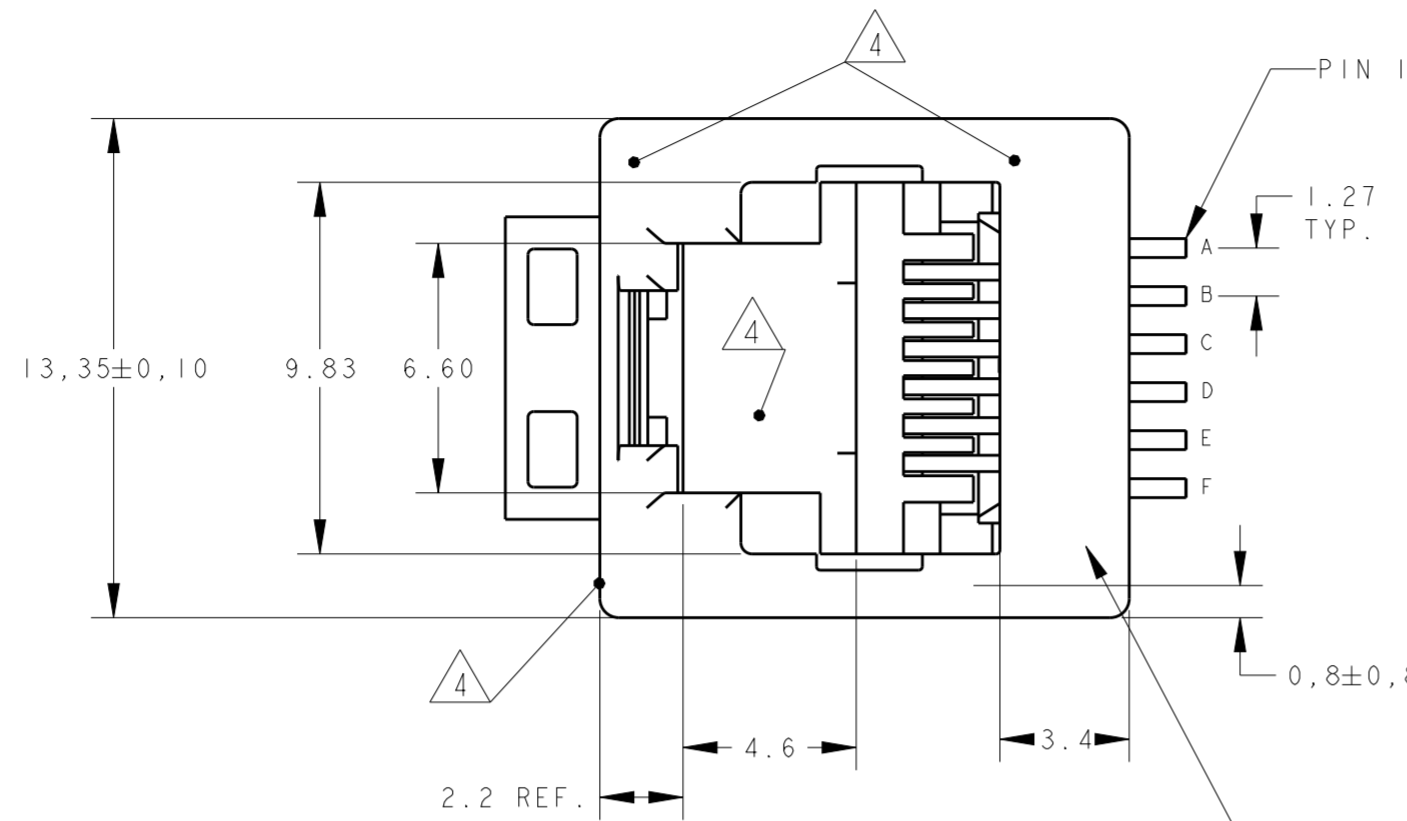
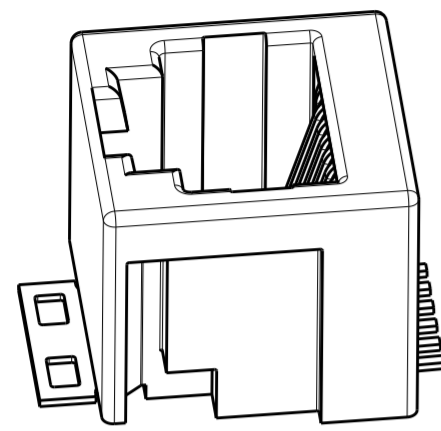


THIS DRAWING IS UNPUBLISHED. RELEASED FOR PUBLICATION
 © COPYRIGHT - ALL RIGHTS RESERVED.

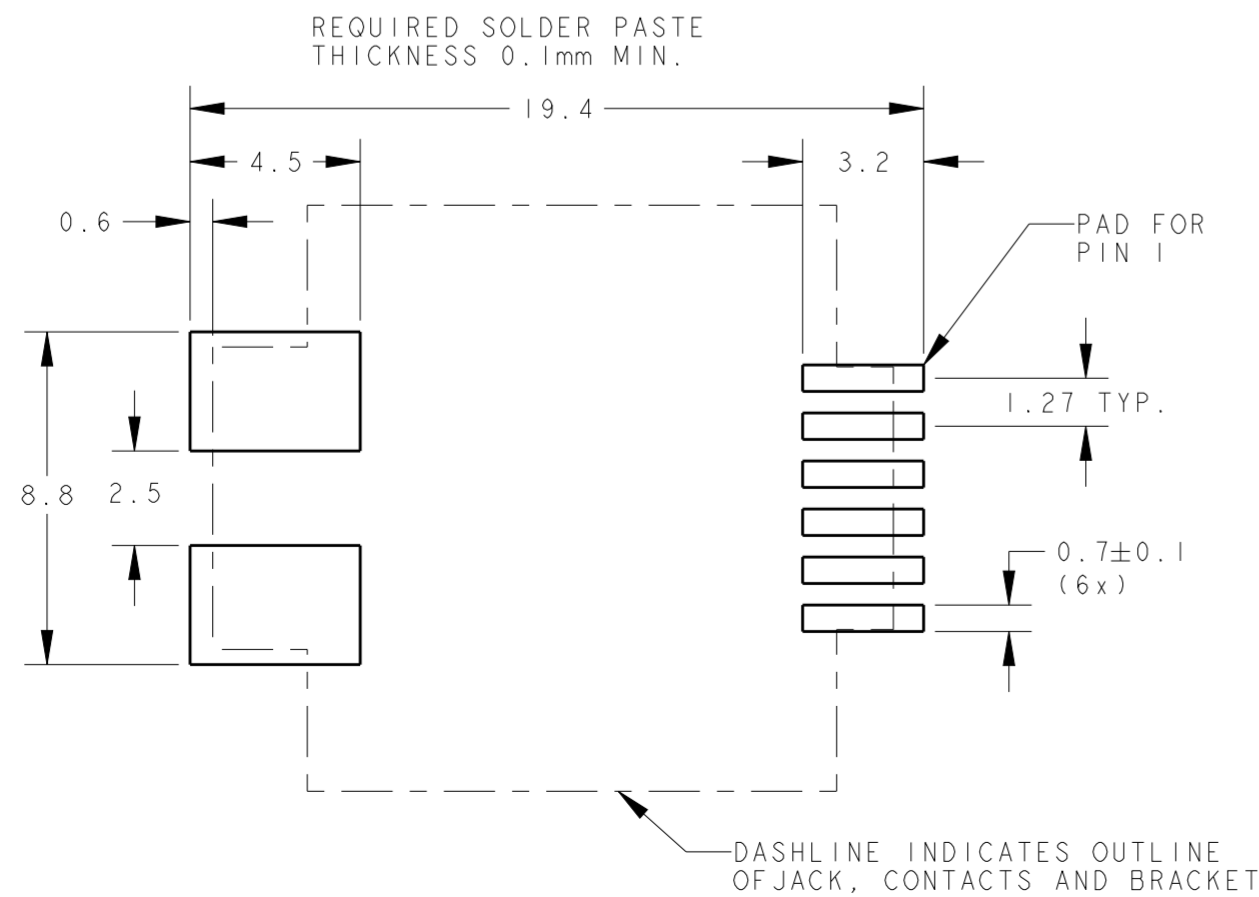
LOC		DIST		REVISIONS			
P	LTR	DESCRIPTION	DATE	DWN	APVD		
E		HOUSING RIB STRENGTHENED, RAWMATERIAL CHANGED TO PA4T	05JAN2012	PS	RRP		
F		ECO-16-001320	13JUN2016	AD	SH		

NOTES:

- 1 TOLERANCES UNLESS OTHERWISE SPECIFIED: $\pm 0,15$
- 2 CONTACT PLATING:
 OVERALL: Ni 1.27 μ m MIN. ALL OVER THE CONTACTS
 SOLDER ZONE: Sn 3.5-5.0 μ m ON THE SOLDER ZONE OF THE CONTACT
 MATING ZONE: PLATING CONFIRMS TO PRODUCT REQUIREMENTS AS PER SPECIFICATION 108-19117
- 3 MATERIALS:
 -HOUSING: 30% G.F. LCP. COLOR BLACK, UL 94V-0.
 -CONTACTS: PHOSPHOR BRONZE.
 -SOLDER BRACKET: TINPLATED BRASS WITH NICKEL UNDERPLATE.
- 4 SURFACE CAN BE USED FOR PICKING THE MODULAR JACK WITH, TYPE II SMD MACHINE.
- 5 COPLANARITY MEASURED AT HEEL OF CONTACTS.
- 6 TAPE AND REEL PACKAGING ACCORDIND TO EIA 481-3 SPECIFICATIONS.
- 7 CONTACT PLATING:
 0.76 μ m MIN. GOLD SELECTIVE IN CONTACT AREA.
 OVER 1,27 μ m MIN. NICKEL.
 3,5-5,0 μ m MIN. MATTE TIN ON SOLDER TINES.
- 8 THE PART IS UL RECOGNISED IN E81956 VOL.5 SEC 3.
- 9 OBSOLETE PARTS



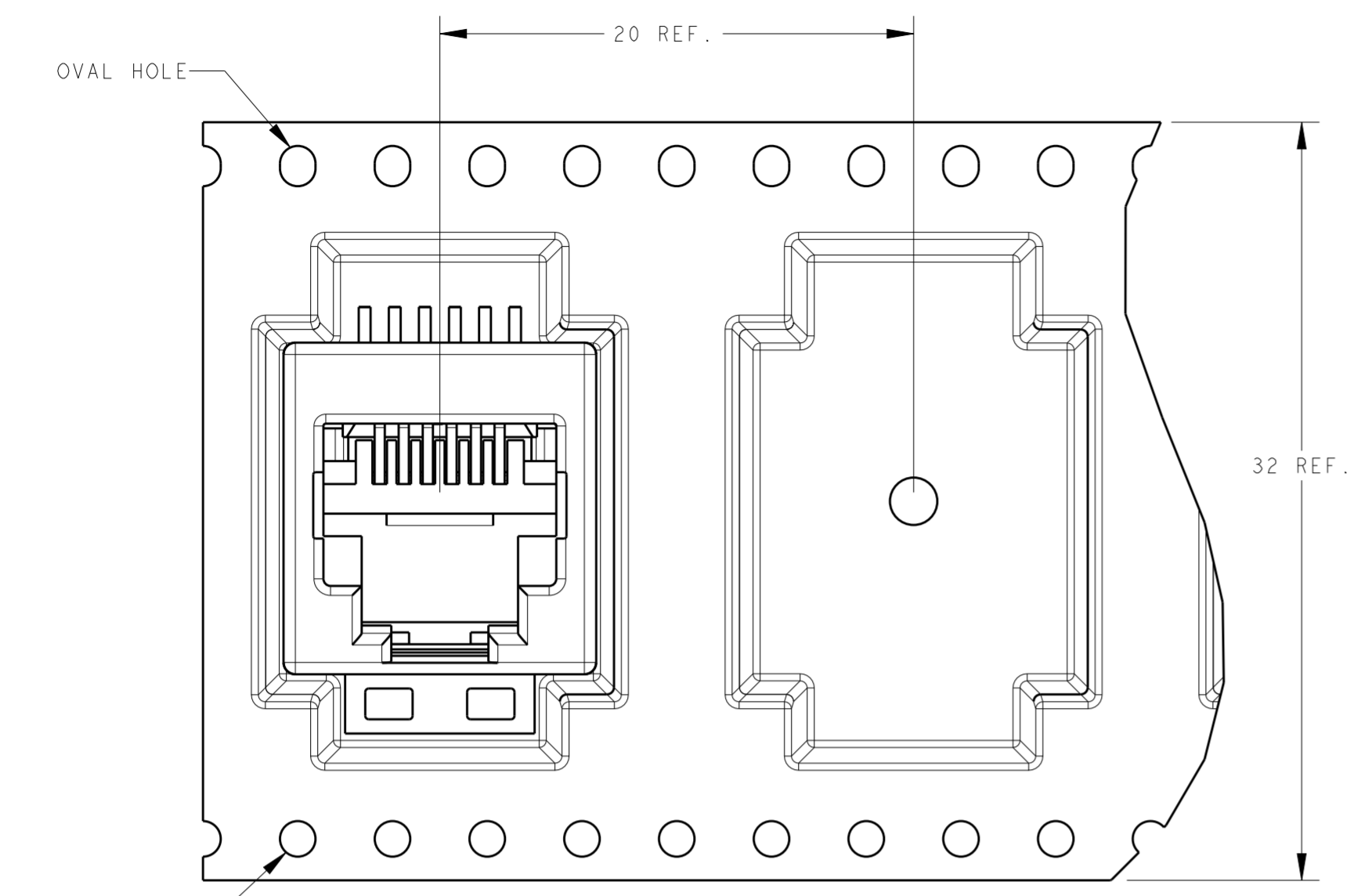
PRINTED CIRCUIT BOARD LAYOUT



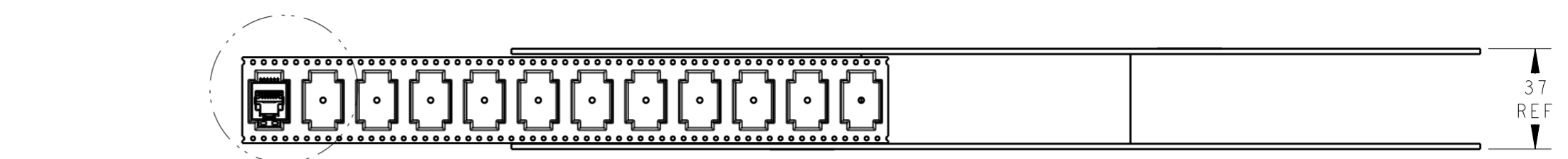
6 POS./6 CONT.	300 PCS ON \varnothing 360mm OD REEL. TOP ENTRY ORIENTATION PER DETAIL B	1857381-2 1857381-1
REMARKS	FINISH	PART NUMBER
THIS DRAWING IS A CONTROLLED DOCUMENT.		
DIMENSIONS: mm	TOLERANCES UNLESS OTHERWISE SPECIFIED: 0 PLC ± 0.2 1 PLC ± 0.1 2 PLC ± 0.05 3 PLC \pm 4 PLC \pm ANGLES \pm	DWN 04 NOV 2005 CHK J.V.D. HEIJDEN M. OPPER APVD 04 NOV 2005 J. BROEKSTEG
MATERIAL SEE NOTE 3.	PRODUCT SPEC 108-19117 APPLICATION SPEC 114-19041 WEIGHT 1,83 gr	NAME MODULAR JACK ON BOARD SMT 6/6 POSITION VERSION.
CUSTOMER DRAWING	SCALE 1:1	RESTRICTED TO
	SHEET 1 OF 2	REV F

THIS DRAWING IS UNPUBLISHED. RELEASED FOR PUBLICATION
 © COPYRIGHT - ALL RIGHTS RESERVED.

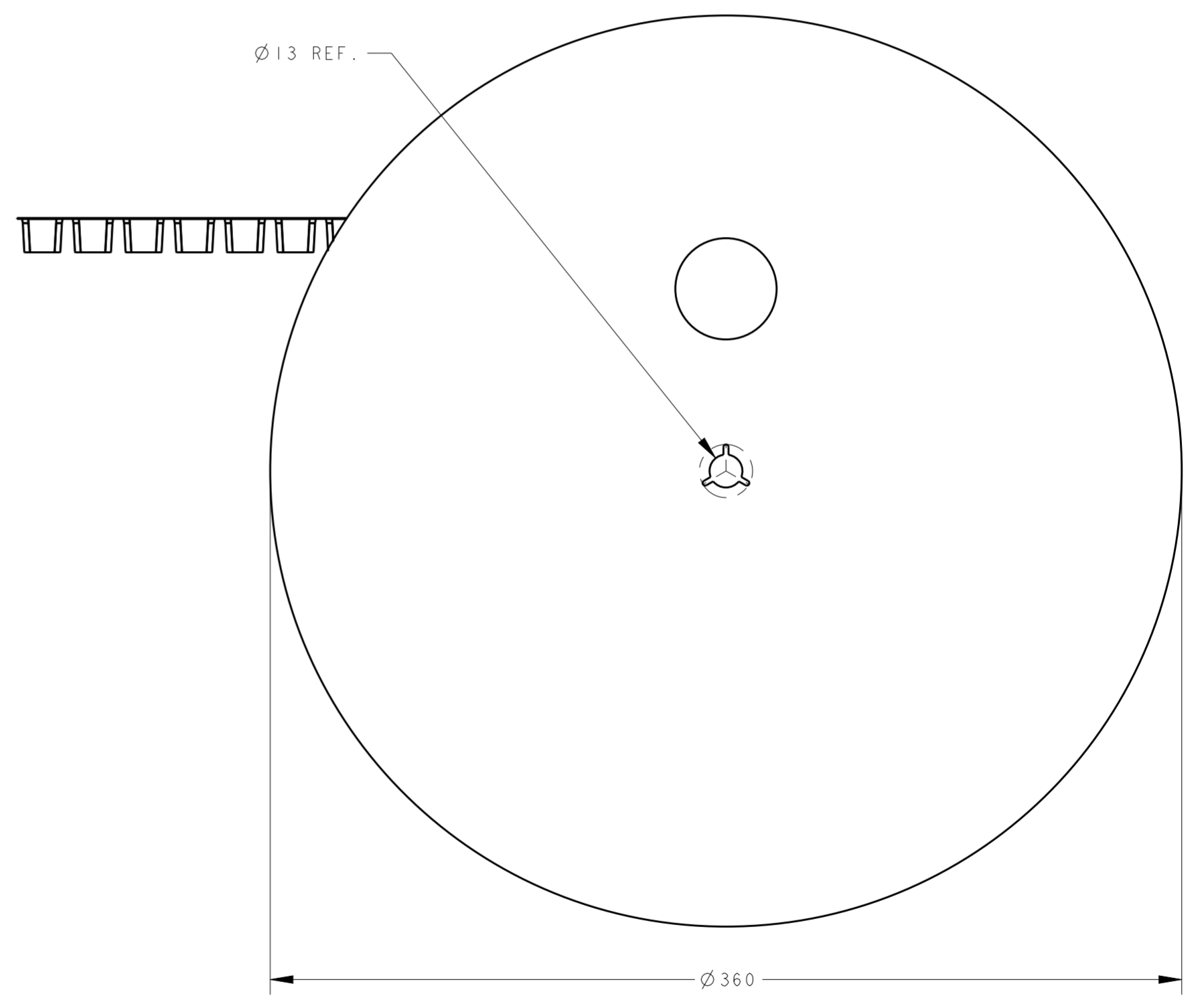
LOC	DIST	REVISIONS			
P	LTR	DESCRIPTION	DATE	DWN	APVD
IR	-	See sheet 1	-	-	-



TOP ENTRY ORIENTATION.
 DETAIL B
 SCALE 4:1



SEE DETAIL B



THIS DRAWING IS A CONTROLLED DOCUMENT.		DWN 04 NOV 2005 J.V.D. HEIJDEN	STE TE Connectivity	
		CHK 04 NOV 2005 M.OPPERS		
DIMENSIONS: mm		APVD 04 NOV 2005 J.BROEKSTEG	NAME MODULAR JACK ON BOARD SMT 6/6 POSITION VERSION.	
TOLERANCES UNLESS OTHERWISE SPECIFIED:		PRODUCT SPEC	RESTRICTED TO	
0 PLC ±0.2		APPLICATION SPEC	SIZE A2	CAGE CODE C-1857381
1 PLC ±0.1		WEIGHT	SCALE 1:1	SHEET 2 OF 2
2 PLC ±0.05		CUSTOMER DRAWING	REV F	
3 PLC ±				
4 PLC ±				
ANGLES ±				
FINISH ±				