

# HC-B 10-TFQ-N-M1M20G - Housing



1460059

<https://www.phoenixcontact.com/us/products/1460059>

Please be informed that the data shown in this PDF document is generated from our Online Catalog. Please find the complete data in the user documentation. Our General Terms of Use for Downloads are valid.



HEAVYCON B10 sleeve housing, for double locking latch, height: 56 mm, with 1 x M20 screw connection, straight cable outlet

## Commercial Data

Item number	1460059
Packing unit	10 pc
Minimum order quantity	1 pc
Product Key	BF7AAC
GTIN	4046356793278
Weight per Piece (including packing)	168.53 g
Weight per Piece (excluding packing)	168.53 g
Country of origin	DE

# HC-B 10-TFQ-N-M1M20G - Housing

1460059

<https://www.phoenixcontact.com/us/products/1460059>

## Technical Data

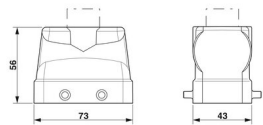
### Notes

General	For contact inserts HC-B10, BB18, DD42, M, K8/24
---------	--

### Product properties

Type	B10
Product type	Housing with locking latch
No. of cable outlets	1
Type of the screw connection	1x M20
Locking type	for double locking latch
Cable outlet	straight
Pg screw connection	with

### Dimensions

Dimensional drawing	
Width	43 mm
Height	56 mm
Length	73 mm
Wrench size, union nut	20 mm

### Material specifications

Material Screw connection	Nickel-plated brass
Seal material Cable seal	NBR
Housing surface material	Powder-coated, gray
Housing material	die-cast aluminum

### Mechanical properties

#### Mechanical data

Type of the screw connection	1x M20
------------------------------	--------

### Environmental and real-life conditions

#### Ambient conditions

Degree of protection	IP65
Ambient temperature (operation)	-40 °C ... 125 °C

# HC-B 10-TFQ-N-M1M20G - Housing

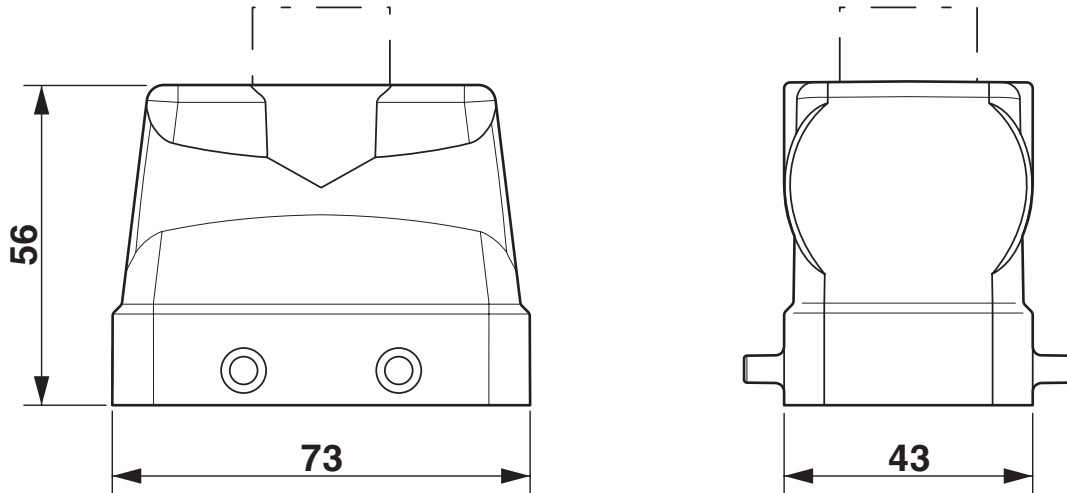
1460059

<https://www.phoenixcontact.com/us/products/1460059>



## Drawings

Dimensional drawing



Dimensional drawing

# HC-B 10-TFQ-N-M1M20G - Housing



1460059

<https://www.phoenixcontact.com/us/products/1460059>

## Classifications

### ECLASS

ECLASS-11.0

27440202

### ETIM

ETIM 7.0

EC000437

### UNSPSC

UNSPSC 21.0

31261501

# HC-B 10-TFQ-N-M1M20G - Housing



1460059

<https://www.phoenixcontact.com/us/products/1460059>

## Environmental Product Compliance

China RoHS	Environmentally friendly use period: unlimited = EFUP-e No hazardous substances above threshold values
------------	---

Phoenix Contact 2023 © - all rights reserved  
<https://www.phoenixcontact.com>

Phoenix Contact USA  
586 Fulling Mill Road  
Middletown, PA 17057, United States  
(+717) 944-1300  
[info@phoenixcon.com](mailto:info@phoenixcon.com)