

WIRING DIAGRAM

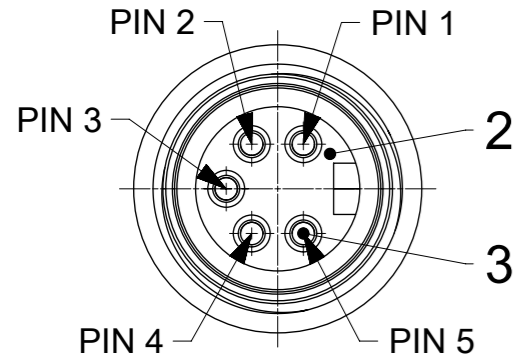
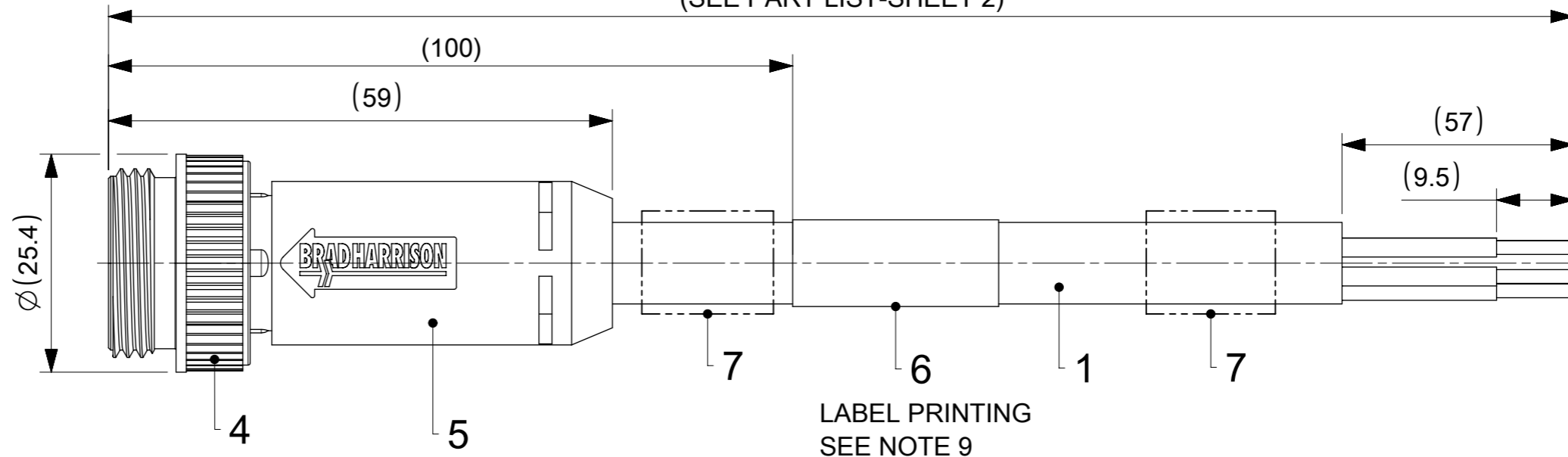


PART NUMBER MATRIX

1 0 5 0 0 6 B 3 5 M X X X H

10 = Single ended cordset A-SIZE	Poles: 5 = 5 Poles	Heads style: 006 = Male straight	Cable: B35 = 1.50mm ² TPU Black	Units: M = Meter	Length Examples: 005 = 0.5 m 010 = 1 m 020 = 2 m 050 = 5 m 100 = 10 m 150 = 15 m 200 = 20 m	2x I/D Carriers
----------------------------------	--------------------	----------------------------------	--	------------------	---	-----------------

FINISHED LENGTH (SEE PART LIST-SHEET 2)



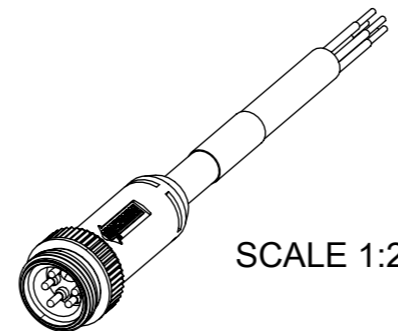
VIEW FROM THE FRONT SIDE

NOTES:

- MATERIAL: SEE BILL OF MATERIALS
- FINISHES: SEE BILL OF MATERIALS
- ELECTRICAL SPECIFICATIONS
VOLTAGE RATING: 600 V
CURRENT RATING: 10 A
- TEMPERATURE RATING:
STATIC: -40 °C TO 90 °C
DYNAMIC: -25 °C TO 80 °C
- PROTECTION: IP67 (WHEN MATED)
- UL CERTIFICATION: UL LISTED, FILE NO. E152210
- IF "H" IN MATRIX - 2xID-CARRIER ASSEMBLED ON HARNESS FROM BOTH SIDES
- PART LIST - SEE SHEET 2
- LABEL PRINTING ACC. STANDARD LABEL INSTRUCTION (SEE SHEET 2)

BILL OF MATERIALS

ITEM	QTY.	DESCRIPTION	MATERIAL	FINISH
1	-	CABLE 16-5 GRAY TPU WELD SLAG RESIST	TPU	-
2	1	MC 5P MALE INSERT	ARNITEL	GRAY
3	5	PIN CONTACT	BRASS	GOLD PLATED
4	1	COUPLING NUT	BRASS	-
5	1	MOULDING MATERIAL BLACK	PUR	-
6	1	WRAP LABEL BLACK/YELLOW	MYLAR	-
7	2	I/D CARRIER	PVC	-

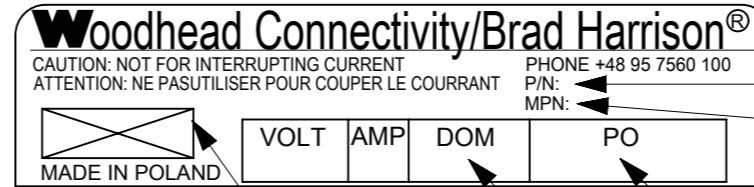


FUNCTIONAL SYMBOLS ▽A = 0 ▽E = 0 ▽F = 0	THIS DRAWING CONTAINS INFORMATION THAT IS PROPRIETARY TO MOLEX ELECTRONIC TECHNOLOGIES, LLC AND SHOULD NOT BE USED WITHOUT WRITTEN PERMISSION	CURRENT REV DESC: NOTES UPDATED, LABEL PRINTING ADDED		molex	
	GENERAL TOLERANCES (UNLESS SPECIFIED) ANGULAR TOL ± 1.0°	SCALE 3:2	EC NO: 747270		
DIVISIONAL SYMBOLS	4 PLACES ±	3 PLACES ±	2 PLACES ± 0.05	PRODUCT CUSTOMER DRAWING	
	1 PLACE ± 0.3	0 PLACES ± 0.5	DRAFT WHERE APPLICABLE MUST REMAIN WITHIN DIMENSIONS	DRWN: GMAJCHER APPR: MIWASIECZKO	2023/04/27 2017/08/03
THIRD ANGLE PROJECTION		DRAWING	SERIES	MATERIAL NUMBER	CUSTOMER
A3-SIZE		130006	SEE SHEET 2	GENERAL MARKET	1 OF 2

PART LIST

MOLEX PN	ENGINEERING No.	FINISHED LENGTH
1300068159	105006B35M020	2000 +89
1300068160	105006B35M050	5000 +165
1300068161	105006B35M100	10000 +317
1300068162	105006B35M200	20000 +622
1300068163	105006B35M300	30000 +622
1300068210	105006B35M010H	1000 +56
1300068211	105006B35M020H	2000 +89
1300068212	105006B35M050H	5000 +165
1300068213	105006B35M100H	10000 +317
1300068214	105006B35M200H	20000 +622
1300068215	105006B35M300H	30000 +622
1300068216	105006B35M350H	35000 +700
1300068275	105006B35M010	1000 +56
1300068276	105006B35M030	3000 +89

LABEL PRINTING



ENGINEERING NO.
MOLEX PN

PO NO.
PRODUCT. DATE

CERTIFICATION SYMBOLS

FUNCTIONAL SYMBOLS	THIS DRAWING CONTAINS INFORMATION THAT IS PROPRIETARY TO MOLEX ELECTRONIC TECHNOLOGIES, LLC AND SHOULD NOT BE USED WITHOUT WRITTEN PERMISSION		
	$\nabla_A = 0$ $\nabla_F = 0$ $\nabla_P = 0$	DIMENSION UNITS mm	SCALE 1:1
DIVISIONAL SYMBOLS	GENERAL TOLERANCES (UNLESS SPECIFIED)		CURRENT REV DESC: NOTES UPDATED, LABEL PRINTING ADDED EC NO: 747270 DRWN: RSCHIEBER 2023/04/17 CHK'D: RSILLER 2023/04/27 APPR: RSILLER 2023/04/27 INITIAL REVISION: DRWN: GMAJCHER 2017/08/03 APPR: MIWASIECZKO 2017/08/04
	ANGULAR TOL ± 1.0°		
	4 PLACES ±		
	2 PLACES ± 0.05		
	1 PLACE ± 0.3		
0 PLACES ± 0.5			
DRAFT WHERE APPLICABLE MUST REMAIN WITHIN DIMENSIONS		THIRD ANGLE PROJECTION	DRAWING
		SERIES	MATERIAL NUMBER
		CUSTOMER	SHEET NUMBER
		A3-SIZE	130006
		SEE SHEET 2	GENERAL MARKET
		2 OF 2	

DOCUMENT STATUS	P1	RELEASE DATE	2023/04/27	12:11:53
-----------------	----	--------------	------------	----------

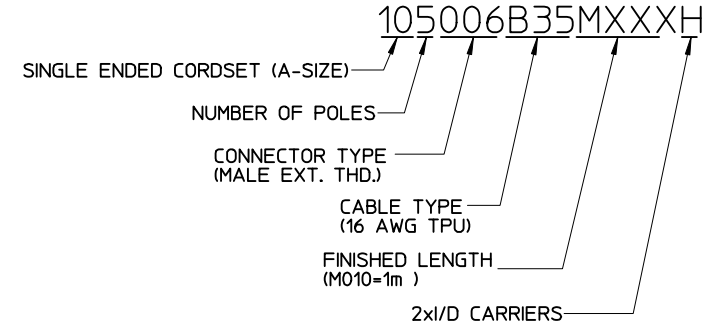
CABLE SPECIFICATION:

JACKET:
 COLOR: GRAY
 MATERIAL: TPU BASED COMPOUND
 DIAMETER: 8.50±0.30mm
 CONDUCTOR:
 INSULATION DIAMETER: 2.40mm
 INSULATION MATERIAL: TPE
 RATING:
 TEMPERATURE RATING (STATIC): -40°C/+90°C
 VOLTAGE: 1000V (450/750)

CHART 1

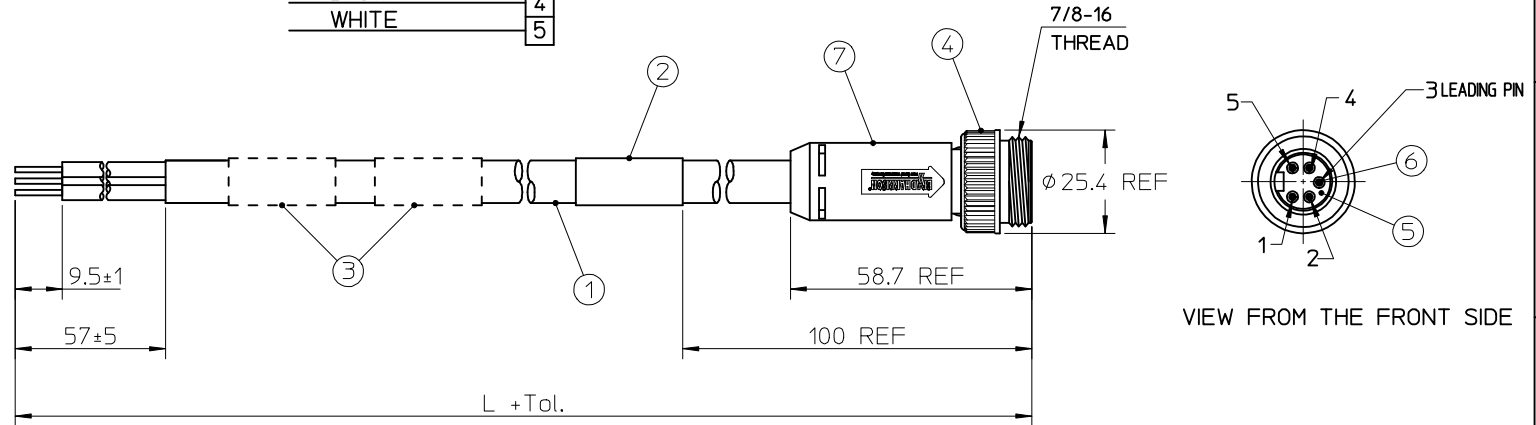
MOLEX PN	ENGINEERING NO	L +Tol. [mm]
1300068210	105006B35M010H	1000 +56
1300068211	105006B35M020H	2000 +89
1300068212	105006B35M050H	5000 +165
1300068213	105006B35M100H	10000 +317
1300068214	105006B35M200H	20000 +610
1300068215	105006B35M300H	30000 +610
1300068216	105006B35M350H	35000 +700

MATRIX



WIRING DIAGRAM

BLACK	1
BLUE	2
GREEN/YELLOW	3
BROWN	4
WHITE	5



BILL OF MATERIALS:

ITEM	QTY.	DESCRIPTION	MATERIAL	FINISH
7	-	MOLDING MATERIAL	TPU	BLACK
6	5	CONTACT MALE	BRASS	PLATE PER S-243 OR S-242
5	1	INSERT MALE A-SIZE	PUR	BLACK
4	1	COUPLING NUT MALE	ZINC ALLOY	ELECTROPHORETIC BLACK
3	2	IND CARRIER	-	-
2	1	LABEL	-	-
1	-	CABLE 5x16AWG	TPU	GRAY

ORIGINAL RELEASE EC NO: IPG2015-2210 DRWN:FGAIK 2015/07/07 CHKD:APAWLAK 2015/07/07 APPR:MIWASIECZKO 2015/07/15	QUALITY SYMBOLS	GENERAL TOLERANCES (UNLESS SPECIFIED)	DIMENSION STYLE	SCALE	DESIGN UNITS	THIRD ANGLE PROJECTION
	$\nabla=0$ $\nabla=0$	mm INCH 4 PLACES ± --- ± --- 3 PLACES ± --- ± --- 2 PLACES ± --- ± --- 1 PLACE ± --- ± --- 0 PLACE ± --- ± ---	MM ONLY	---	METRIC	
	ANGULAR ± 1 ° DRAFT WHERE APPLICABLE MUST REMAIN WITHIN DIMENSIONS	DRAWN BY: FGAIK CHECKED BY: APAWLAK APPROVED BY: MIWASIECZKO DATE: 2015/07/07	TITLE	CSE MC 5P MA STR WSOR XXM SE ID		
	SEE CHART 1	MATERIAL NO. DOCUMENT NO. SD-130006-060 SHEET NO. 1 OF 1				