

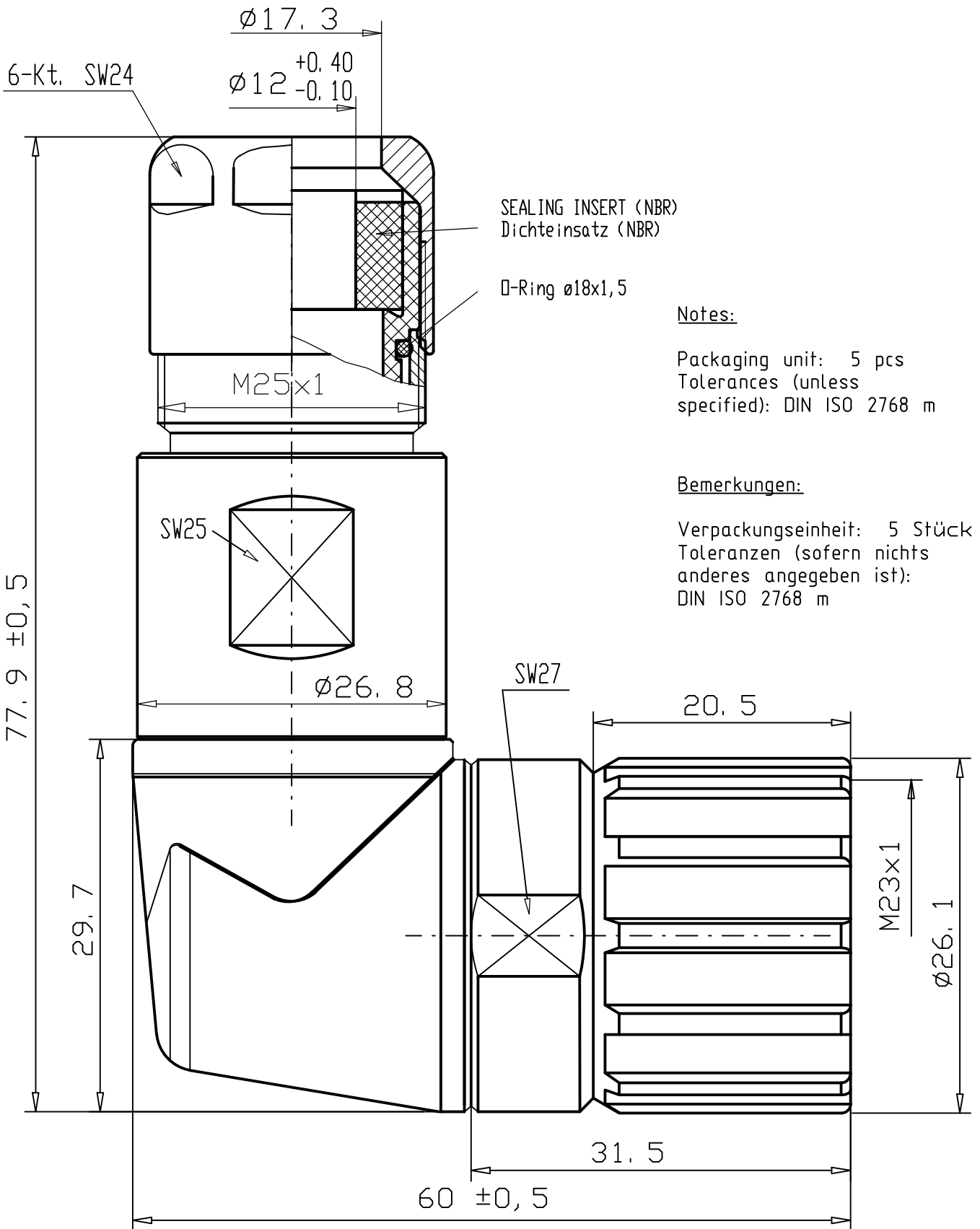
5

4

3

2

1



SEALING INSERT (NBR)
Dichteinsatz (NBR)

O-Ring $\varnothing 18 \times 1,5$

Notes:

Packaging unit: 5 pcs
Tolerances (unless specified): DIN ISO 2768 m

Bemerkungen:

Verpackungseinheit: 5 Stück
Toleranzen (sofern nichts anderes angegeben ist):
DIN ISO 2768 m

77.9 ± 0.5

29.7

Ø26.8

SW27

20.5

M23x1

Ø26.1

31.5

60 ± 0.5

DESCRIPTION EC NO.: IPG2012-0084 DRWN.: BBRAUCH 2012/06/27 CHKD.: REISSNER APPR.: REISSNER	QUALITY SYMBOLS $\nabla = 0$ $\sphericalangle = 0$	GENERAL TOLERANCES (UNLESS SPECIFIED)		DIMENSION STYLE MM		SCALE ---	DESIGN UNITS METRIC	THIRD ANGLE PROJECTION	
	DESCRIPTION 3	4 PLACES ± --- ± --- 3 PLACES ± --- ± --- 2 PLACES ± 0.05 ± --- 1 PLACE ± 0.1 ± --- 0 PLACE ± 0.5 ± ---	mm INCH	DRAWN BY BB	DATE 2008/05/30	PLG M23 0C FE RA UNSH W 7 - 12 MM P/N: KAS0S01-005			
	REV 3	DRAFT WHERE APPLICABLE MUST REMAIN WITHIN DIMENSIONS		APPROVED BY JKO	DATE 2008/12/10	molex			
5	4	3	2	1	MATERIAL NO. 1202320004	DOCUMENT NO. SD-120232-004	SHEET NO. 1 OF 1		
THIS DRAWING CONTAINS INFORMATION THAT IS PROPRIETARY TO MOLEX INCORPORATED AND SHOULD NOT BE USED WITHOUT WRITTEN PERMISSION					SIZE A4				

5

4

3

2

1