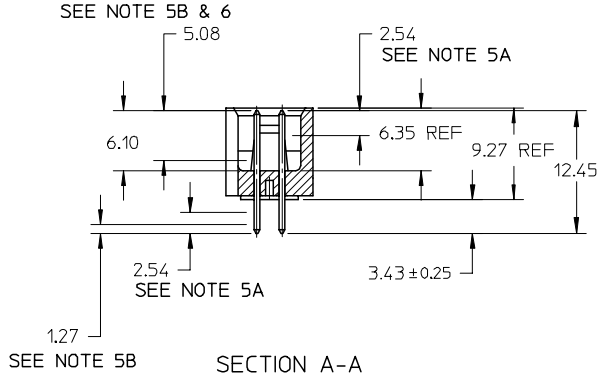
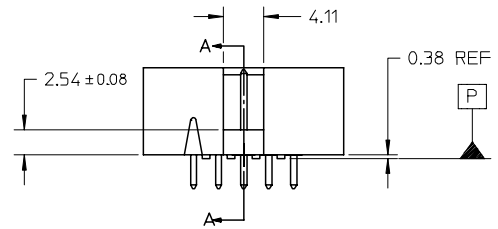
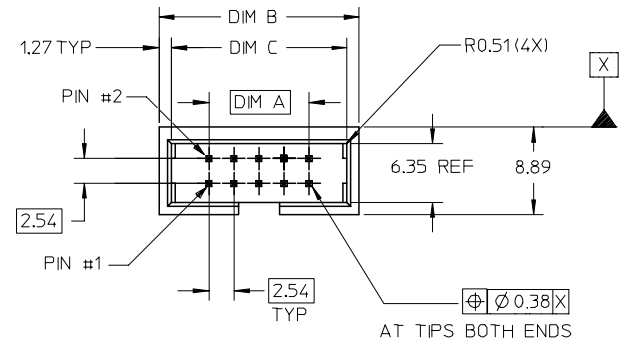


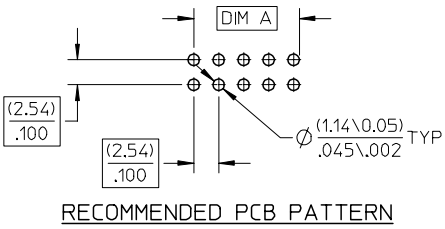
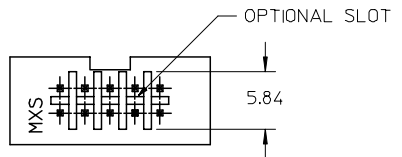
10 9 8 7 6 5 4 3 2 1

PART NUMBER	CKT SIZE	VOIDED PIN LOCATION	DIM A	DIM B	DIM C
87834-0643	06	2	5.08	15.24	12.70
87834-0843	08	1	7.62	17.78	15.24
87834-5043	50	25	60.96	71.12	68.58
87834-2643	26	26	30.48	40.64	38.10



NOTES :

- MATERIAL :
HOUSING: NYLON (PA), UL94V-0, COLOR: NATURAL.
PIN: COPPER ALLOY.
- PIN PUSHOUT FORCE 0.91 KG MIN.
- PIN SOLDERABILITY PER MOLEX SPEC. ES-152.
- WAFER TO BE FLAT WITHIN 0.03MM/CM
- DIMENSIONS FOR PLATING LOCATIONS : A - MEASURE POINT FOR THICKNESS.
B - MINIMUM COVERAGE.
- GOLD END OF PIN UNLESS OVERALL PLATED.
- FINISH :
0.38um MIN GOLD AND 2.54um MIN TIN
IN SELECTED AREA OVER 1.27um MIN. NICKEL.
- FOR ILLUSTRATION PURPOSE A 10 CKT IS SHOWN.
- PRODUCT SPECIFICATION PS-70246-100 APPLIES.



ADD PART NUMBER	2005/06/27
EC NO: S2005-1018	2005/06/27
DRWN:KELIM	2005/06/27
CHKD:C@BYNN	2005/06/27
APPR:PTLIM	2005/06/27

QUALITY SYMBOLS	DESCRIPTION
▽=0	
▽=0	

	GENERAL TOLERANCES (UNLESS SPECIFIED)	
	mm	INCH
4 PLACES	± ---	± ---
3 PLACES	± ---	± ---
2 PLACES	± 0.20	± ---
1 PLACE	± ---	± ---
ANGULAR ± 3 °		

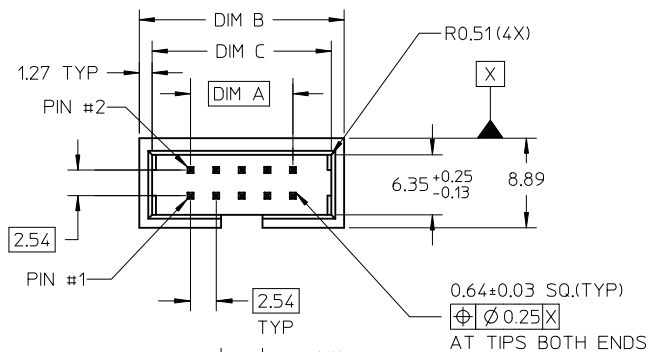
DIMENSION STYLE		SCALE	DESIGN UNITS	THIRD ANGLE PROJECTION
MM ONLY		NTS	METRIC	
DRAWN BY	DATE	TITLE	C-GRID, SHROUDED WAFER SLOTTED, WITH VOID NO END WINDOW & PEG MOLEX INCORPORATED	
RSHAN	2003/11/20			
CHECKED BY	DATE			
KCLING	2003/12/05			
APPROVED BY	DATE			
SKTOH	2003/12/06			

MATERIAL NO.	DOCUMENT NO.	SHEET NO.
	SD-87834-019	1 OF 1

SIZE A3 THIS DRAWING CONTAINS INFORMATION THAT IS PROPRIETARY TO MOLEX INCORPORATED AND SHOULD NOT BE USED WITHOUT WRITTEN PERMISSION

9 8 7 6 5 4 3 2 1

10 9 8 7 6 5 4 3 2 1

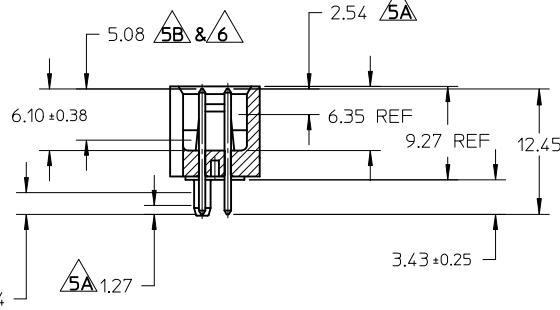
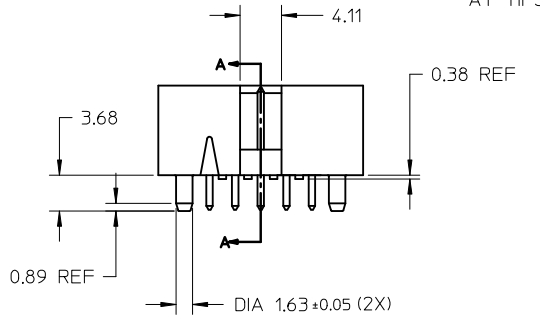


PART NUMBER LEGEND

87834 - * * 1 1

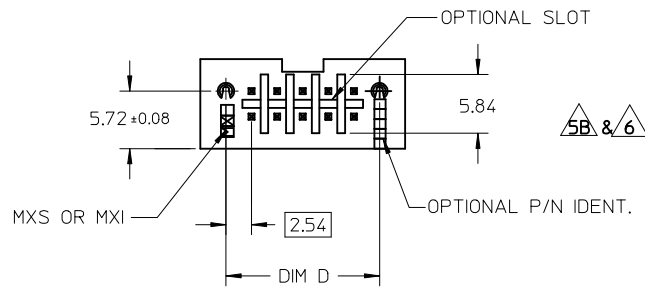
CKT SIZES

ASSEMBLY P/N	CKT SIZE	DIM A	DIM B	DIM C	DIM D
87834-0411	04	2.54	12.70	10.16	7.62
87834-0611	06	5.08	15.24	12.70	10.16
87834-0811	08	7.62	17.78	15.24	12.70
87834-1011	10	10.16	20.32	17.78	15.24
87834-1211	12	12.70	22.86	20.32	17.78
87834-1411	14	15.24	25.40	22.86	20.32
87834-1611	16	17.78	27.94	25.40	22.86
87834-1811	18	20.32	30.48	27.94	25.40
87834-2011	20	22.86	33.02	30.48	27.94
87834-2411	24	27.94	38.10	35.56	33.02
87834-2611	26	30.48	40.64	38.10	35.56
87834-3011	30	35.56	45.72	43.18	40.64
87834-3411	34	40.64	50.80	48.26	45.72
87834-4011	40	48.26	58.42	55.88	53.34
87834-4411	44	53.34	63.50	60.96	58.42
87834-5011	50	60.96	71.12	68.58	66.04
87834-5611	56	68.58	78.74	76.20	73.66
87834-6011	60	73.66	83.82	81.28	78.74
87834-6411	64	78.74	88.90	86.36	83.82

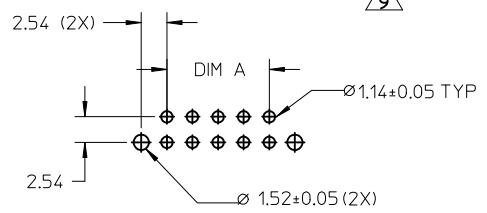
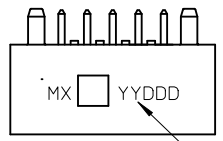


NOTES :

- MATERIAL :
HOUSING : NYLON 46 GLASS FILLED., UL94V-0, COLOR: BIEGE.
PIN : COPPER ALLOY.
- PIN PUSHOUT FORCE 0.91 KG MIN.
- PRODUCT SPECIFICATION PS-70246-100 APPLIES.
- WAFER TO BE FLAT WITHIN 0.03MM/CM
- DIMENSIONS FOR PLATING LOCATIONS : A - MEASURE POINT FOR THICKNESS.
B - MINIMUM COVERAGE.
- GOLD END OF PIN UNLESS OVERALL PLATED.
- FINISH :
0.13um MIN GOLD FLASH OVER 1.02um MIN.PD/NI
IN SELECTED AREA AND 2.5um MIN.TIN IN SELECTED AREA OVER 1.27um MIN NICKEL OVERALL
- FOR ILLUSTRATION PURPOSE A 10 CKT IS SHOWN.
- OPTIONAL LOCATION FOR MANUFACTURER/YEAR/DAY MARKING IF REQUIRED BY CUSTOMER



SECTION A-A



RECOMMENDED PCB PATTERN

REMOVE 72CKT OPTION EC NO: S2012-0308 DRINKATSEE CHKD:SKANG APPR:MLONG	2011/10/31 2011/11/23 2012/01/10	DESCRIPTION	QUALITY SYMBOLS	GENERAL TOLERANCES (UNLESS SPECIFIED)	DIMENSION STYLE	SCALE	DESIGN UNITS	THIRD ANGLE PROJECTION
			▽=0 ∠=0	mm INCH	MM ONLY	NTS	METRIC	⊙ □

DRAWN BY RSHAN	DATE 2003/11/21	CHECKED BY KCL ING	DATE 2003/12/05	APPROVED BY SKTOH	DATE 2003/12/06	MATERIAL NO. SEE TABLE	DOCUMENT NO. SD-87834-024	SHEET NO. 1 OF 1

SALES DRAWING, C-GRID SHROUDED W/SLOTTED & IN-LINE POLARIZATION PEG

MOLEX INCORPORATED

THIS DRAWING CONTAINS INFORMATION THAT IS PROPRIETARY TO MOLEX INCORPORATED AND SHOULD NOT BE USED WITHOUT WRITTEN PERMISSION

9 8 7 6 5 4 3 2 1