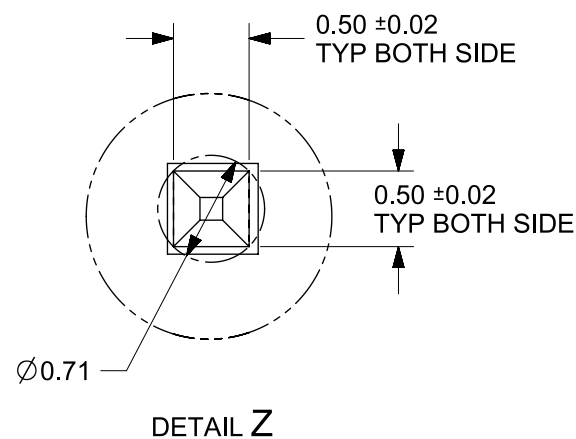
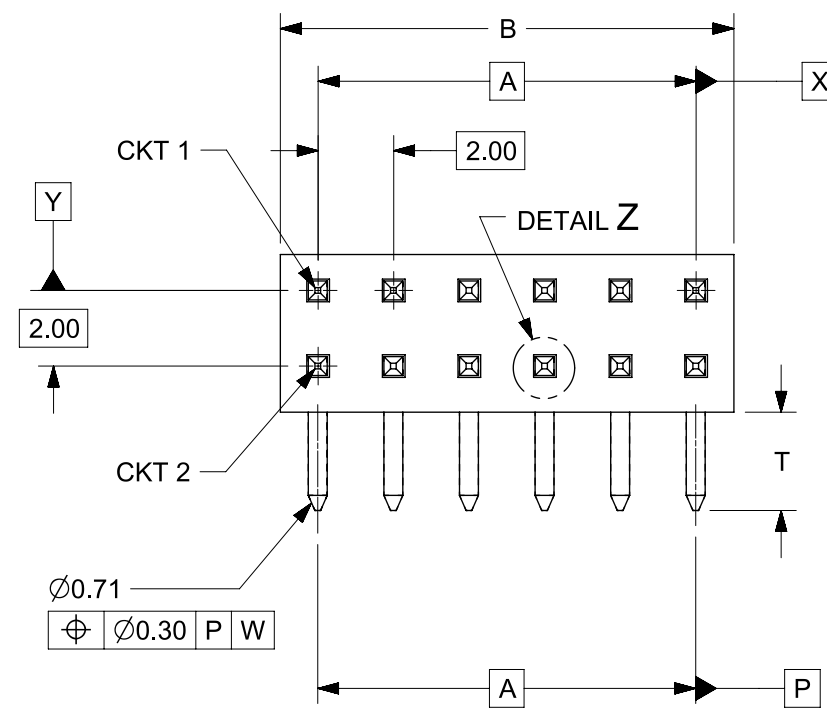
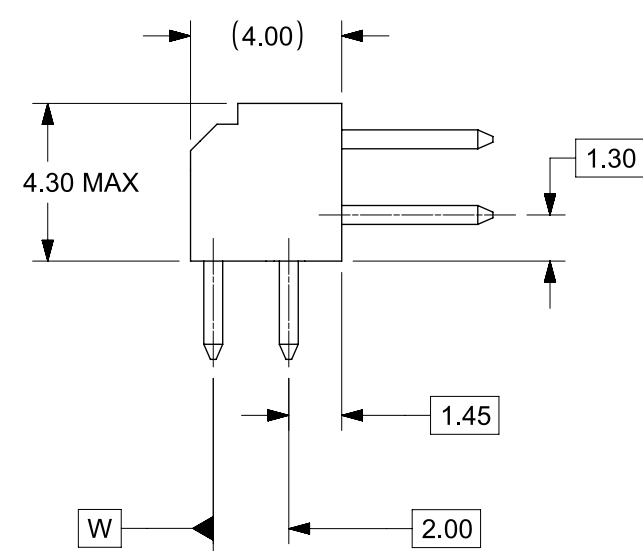
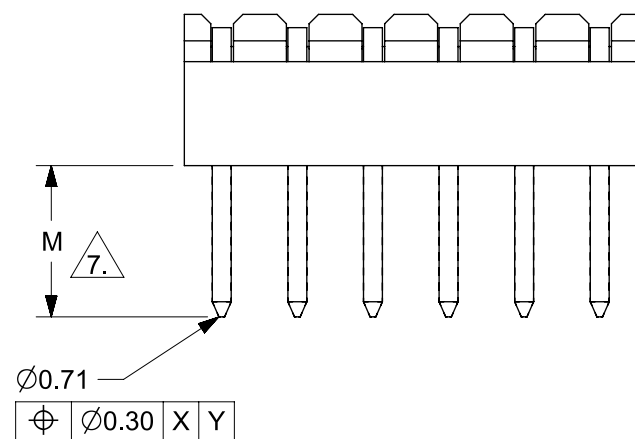


RECOMMENDED PCB LAYOUT



NOTES:

1. MATERIAL:
HSG: PCT, 30% GLASS FILLED, UL 94V-0, COLOUR BLACK.
PIN: 0.50MM SQ PHOSPHOR BRONZE 510
2. PLATING:
***5 - 0.05µm MIN - 0.25µm MAX GOLD IN CONTACT AREA, 2.00µm MIN TIN IN SOLDERTAIL AREA, BOTH OVER 1.25µm MIN NICKEL OVERALL

***6 - 0.38µm MIN GOLD IN CONTACT AREA, 2.00µm MIN TIN IN SOLDERTAIL AREA, BOTH OVER 1.25µm MIN NICKEL OVERALL

***7 - 0.76µm MIN GOLD IN CONTACT AREA, 2.00µm MIN TIN IN SOLDERTAIL AREA, BOTH OVER 1.25µm MIN NICKEL OVERALL

***8 - 2.54µm MIN TIN OVER 1.25µm MIN NICKEL OVERALL
3. 12 CKT USED FOR ILLUSTRATION ONLY
4. PART TO BE PACKED IN POCKET TRAY/TUBE (SEE TABLE).
5. PRODUCT SPEC PS-87761-100 APPLIES.
6. RECOMMENDED PCB BOARD THK 1.60±0.10 MM.
7. MATING LENGTH: 1 - 4.00MM
2 - 3.50MM
3 - 3.06MM
4 - 5.75MM
8. PART NUMBERS THAT ARE UNAVAILABLE IN THIS SD: 87760-0646, 87760-1046, 87760-1446, 87760-2446, 87760-4046. (REFER TO SD-87760-133 FOR THESE PART NUMBERS)

LEGEND:

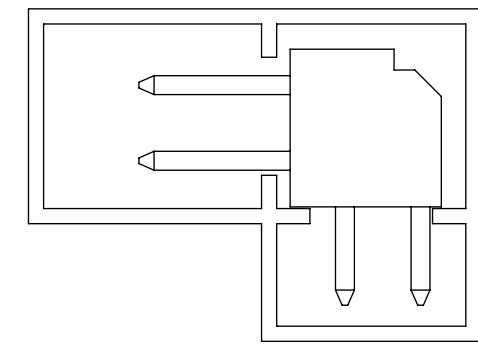
8 7 7 6 0 - * * * *

PLATING OPTION (SEE NOTE 2) 2.

MATING OPTION 7.

THIS DRAWING CONTAINS INFORMATION THAT IS PROPRIETARY TO MOLEX ELECTRONIC TECHNOLOGIES, LLC AND SHOULD NOT BE USED WITHOUT WRITTEN PERMISSION									
DIMENSION UNITS		SCALE		CURRENT REV DESC: MIGRATED TO ECTR					
mm		NTS		molex					
GENERAL TOLERANCES (UNLESS SPECIFIED)									
		MM	INCH	MGRID, 2MM DUAL ROW HDR. R/A					
4 PLACES	±								
3 PLACES	±			PRODUCT CUSTOMER DRAWING					
2 PLACES	±	0.2							
1 PLACE	±			DOCUMENT NUMBER: SD-87760-109					
0 PLACES	±								
ANGULAR TOL		± 3.0°		EC NO: 178255		DRWN: VLM		2018/01/24	
DRAFT WHERE APPLICABLE MUST REMAIN WITHIN DIMENSIONS		THIRD ANGLE PROJECTION		APPR: GGA		CHK'D: CD		2018/08/02	
				APPR: SKTOH		DRWN: KSEE		2018/08/03	
				SERIES		MATERIAL NUMBER		CUSTOMER	
				A3-SIZE		87760		GENERAL MARKET	
				SHEET NUMBER		1 OF 3			

PART NUMBER	VOID PIN LOCATION	CKT SIZE	A	B	M	T	PACKAGING TYPE
87760-04**	-	4	2.00	4.00	REFER TO NOTE 7.	2.60	TRAY
87760-06**	8	6	4.00	6.00			
87760-08**	-	8	6.00	8.00			
87760-10**	8	10	8.00	10.00			
87760-12**	8	12	10.00	12.00			
87760-14**	8	14	12.00	14.00			
87760-16**	-	16	14.00	16.00			
87760-18**	-	18	16.00	18.00			
87760-20**	-	20	18.00	20.00			
87760-22**	-	22	20.00	22.00			
87760-24**	8	24	22.00	24.00			
87760-26**	-	26	24.00	26.00			
87760-28**	-	28	26.00	28.00			
87760-30**	-	30	28.00	30.00			
87760-32**	-	32	30.00	32.00			
87760-34**	-	34	32.00	34.00			
87760-36**	-	36	34.00	36.00			
87760-38**	-	38	36.00	38.00			
87760-40**	8	40	38.00	40.00			
87760-42**	-	42	40.00	42.00			
87760-44**	-	44	42.00	44.00			
87760-46**	-	46	44.00	46.00			
87760-48**	-	48	46.00	48.00			
87760-50**	-	50	48.00	50.00			



PART IN TUBE

THIS DRAWING CONTAINS INFORMATION THAT IS PROPRIETARY TO MOLEX ELECTRONIC TECHNOLOGIES, LLC AND SHOULD NOT BE USED WITHOUT WRITTEN PERMISSION

DIMENSION UNITS		SCALE		CURRENT REV DESC: MIGRATED TO ECTR				molex					
mm		NTS											
GENERAL TOLERANCES (UNLESS SPECIFIED)				EC NO: 178255				MGRID, 2MM DUAL ROW HDR. R/A					
				DRWN: VLM 2018/01/24									
				CHK'D: CD 2018/08/02				PRODUCT CUSTOMER DRAWING					
				APPR: GGA 2018/08/03									
1 PLACE ±				INITIAL REVISION:				DOCUMENT NUMBER					
0 PLACES ±				DRWN: KSEE 2003/10/15				SD-87760-109					
ANGULAR TOL ± 3.0°				APPR: SKTOH 2003/12/11				PSD 001 A17					
DRAFT WHERE APPLICABLE MUST REMAIN WITHIN DIMENSIONS				THIRD ANGLE PROJECTION		DRAWING		SERIES		MATERIAL NUMBER		CUSTOMER	
				A3-SIZE		87760		SEE TABLE		GENERAL MARKET		SHEET NUMBER 2 OF 3	

9 8 7 6 5 4 3 2 1

PART NUMBER	VOID PIN LOCATION	CKT SIZE	A	B	M	T	PACKAGING TYPE
87760-5116	5, 6 & 26	50	48.00	50.00	REFER TO NOTE 7.	2.60	TUBE
87760-531*	-	24	22.00	24.00		1.50	TRAY
87760-5216	-	04	2.00	4.00		2.60	TUBE
87760-5416	-	20	18.00	20.00			
87760-5248	-	28	26.00	28.00			
87760-5516	5, 6, 7, 8, 9, 10, 15, 16, 17, 18, 19, 20, 25, 26, 27, 28, 29, 30	34	32.00	34.00			

E

E

D

D

C

C

B

B

A

A

THIS DRAWING CONTAINS INFORMATION THAT IS PROPRIETARY TO MOLEX ELECTRONIC TECHNOLOGIES, LLC AND SHOULD NOT BE USED WITHOUT WRITTEN PERMISSION											
DIMENSION UNITS		SCALE		CURRENT REV DESC: MIGRATED TO ECTR						molex	
mm		NTS									
GENERAL TOLERANCES (UNLESS SPECIFIED)				EC NO: 178255		DRWN: VLM		2018/01/24		MGRID, 2MM DUAL ROW HDR. R/A	
4 PLACES		±		CHK'D: CD		2018/08/02		PRODUCT CUSTOMER DRAWING			
3 PLACES		±		APPR: GGA		2018/08/03					
2 PLACES		± 0.2		INITIAL REVISION:				DOCUMENT NUMBER		DOC TYPE	
1 PLACE		±		DRWN: KSEE		2003/10/15		SD-87760-109		PSD	
0 PLACES		±		APPR: SKTOH		2003/12/11		001		A17	
ANGULAR TOL		± 3.0°		DRAFT WHERE APPLICABLE MUST REMAIN WITHIN DIMENSIONS		THIRD ANGLE PROJECTION		DRAWING		SHEET NUMBER	
						A3-SIZE		87760		3 OF 3	

DOCUMENT STATUS	P1	RELEASE DATE	2018/08/03	04:05:33
-----------------	----	--------------	------------	----------

9 8 7 6 5 4 3 2 1

FORMAT: Mef-Reg-Header-master-0-prod-A3
REVISION: 0
DATE: 2017/10/06