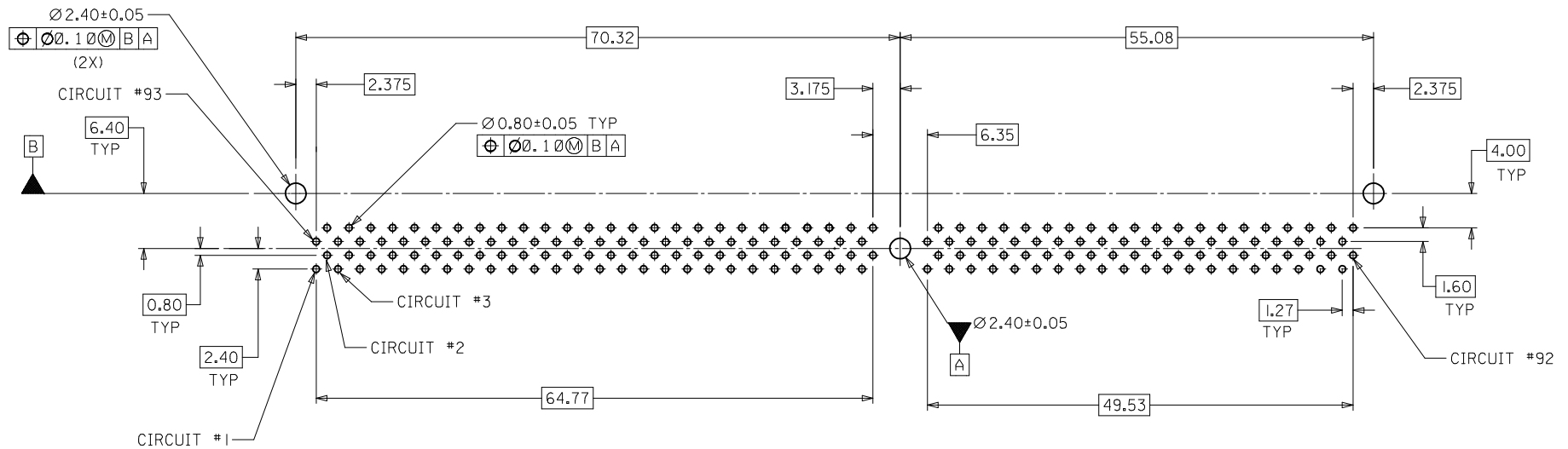
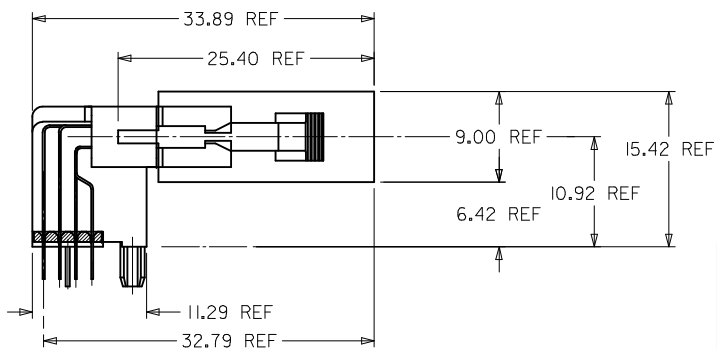


CONTACT AREA	PART NUMBER	VOLTAGE KEY	TAIL LENGTH P±0.25	RECOMMENDED PCB THICKNESS
0.38µm/15µ" MIN. GOLD	87655-0004	LEFT (2.5V)	2.79	1.57
	87655-0005		3.18	
0.76µm/30µ" MIN. GOLD	87655-0007		2.79	

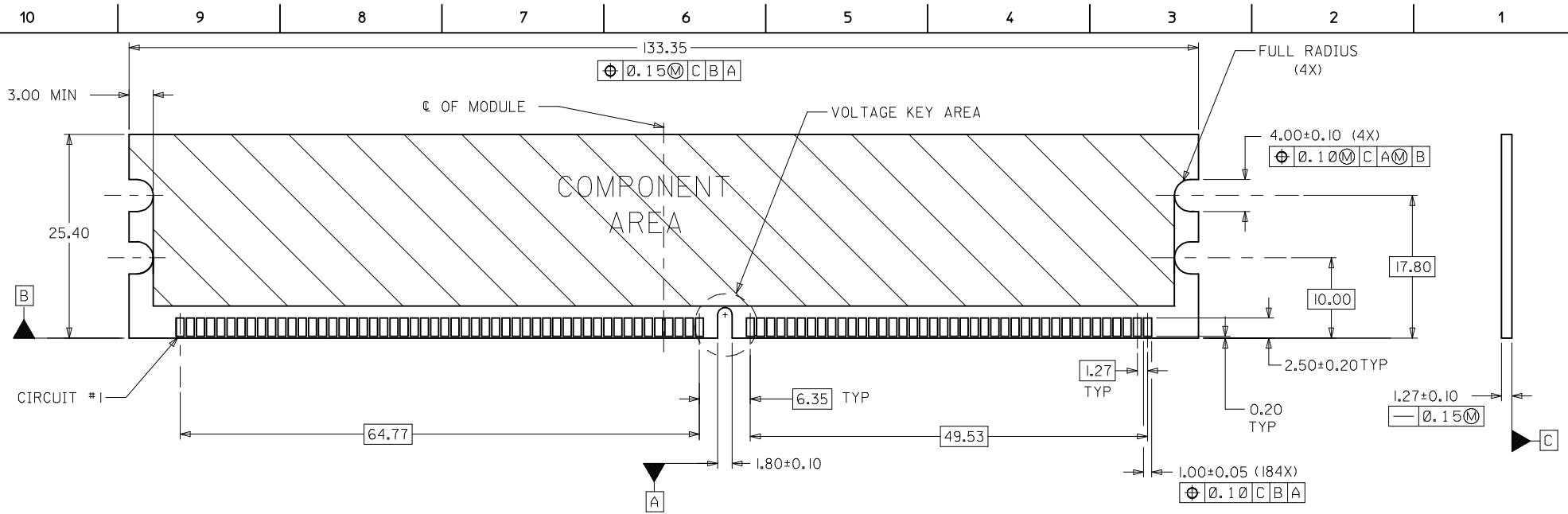


**RECOMMENDED
P.C. BOARD HOLE PATTERN
(CONNECTOR SIDE)**



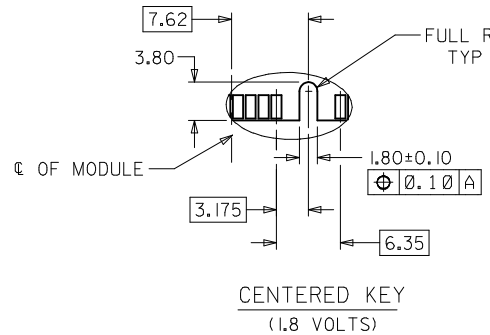
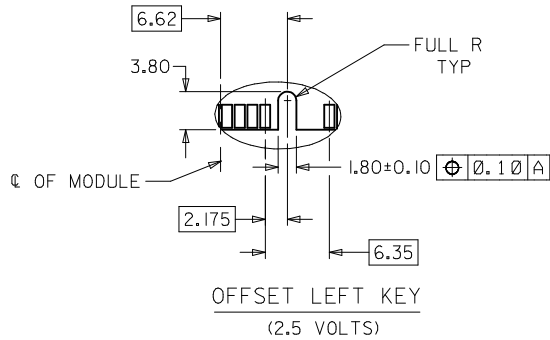
ACTUAL MODULE HEIGHT AND CLEARANCE WHEN USING A 9.00MM THICK BY 25.40MM HEIGHT MODULE (TYPICAL SOJ PACKAGING).

OBS TIN/LEAD P/N EC NO: S2006-0746 DRWN:MLONG 2006/02/27 CHKD:IHO 2006/02/28 APPR:GJLEE 2006/02/28	QUALITY SYMBOLS	GENERAL TOLERANCES (UNLESS SPECIFIED)	DIMENSION STYLE	SCALE	DESIGN UNITS	THIRD ANGLE PROJECTION	
	▽=0 ∇=0	mm INCH	MM ONLY	NTS	METRIC		
		4 PLACES ± --- ± --- 3 PLACES ± --- ± --- 2 PLACES ± 0.25 ± --- 1 PLACE ± --- ± ---	DRAWN BY DATE MLONG 2000/12/21	CHECKED BY DATE SQUEK 2000/12/29	TITLE DDR DIMM, 1.27MM PITCH 184 CKTS, R/A		
		ANGULAR ± 5 °	APPROVED BY DATE SKTOH 2000/12/29	MATERIAL NO.	MOLEX INCORPORATED		
	DRAFT WHERE APPLICABLE MUST REMAIN WITHIN DIMENSIONS	SIZE A3	SEE TABLE	DOCUMENT NO. SD-87655-001	SHEET NO. 2 OF 3		
		THIS DRAWING CONTAINS INFORMATION THAT IS PROPRIETARY TO MOLEX INCORPORATED AND SHOULD NOT BE USED WITHOUT WRITTEN PERMISSION					



RECOMMENDED MODULE LAYOUT
 (PER JEDEC STANDARD MO-206, 184 CKT.)
 UNLESS OTHERWISE SPECIFIED, GENERAL TOLERANCE FOR MODULE = ±0.13

VOLTAGE KEY AREA OPTIONS



OBS TIN/LEAD P/N EC NO: S2006-0746 DRWN:MLONG CHKD:IHO APPR:GJLEE	REV DESCRIPTION	QUALITY SYMBOLS	GENERAL TOLERANCES (UNLESS SPECIFIED)	DIMENSION STYLE	SCALE	DESIGN UNITS	THIRD ANGLE PROJECTION
		▽=0 ◻=0	mm INCH	MM ONLY	NTS	METRIC	
			4 PLACES ± --- ± ---	DRAWN BY DATE	TITLE		
			3 PLACES ± --- ± ---	MLONG 2000/12/21	DDR DIMM, 1.27MM PITCH 184 CKTS, R/A		
	2 PLACES ± 0.25 ± ---	CHECKED BY DATE	MOLEX INCORPORATED				
	1 PLACE ± --- ± ---	SQUEK 2000/12/29	DOCUMENT NO.				
	ANGULAR ± 5 °	APPROVED BY DATE	SD-87655-001				
		SKTOH 2000/12/29	SHEET NO.				
		MATERIAL NO.	3 OF 3				
		SEE TABLE	THIS DRAWING CONTAINS INFORMATION THAT IS PROPRIETARY TO MOLEX INCORPORATED AND SHOULD NOT BE USED WITHOUT WRITTEN PERMISSION				