

# LAST TIME BUY

## Closest Alternative is AP5724FDCG-7

### ZXLD1100

#### ADJUSTABLE LED DRIVER WITH INTERNAL SWITCH AND OPEN CIRCUIT PROTECTION IN SC70-6

#### DESCRIPTION

The ZXLD1100 is a PFM inductive boost converter designed for driving 2, 3 or 4 series connected white LEDs from a Li-Ion cell and up to 8 LEDs from a 5V supply. The device operates from an input supply of between 2.5V and 5.5V and provides an adjustable output current of up to 50mA.

The ZXLD1100 includes the output switch and peak current sense resistor, and can operate with a maximum output voltage of 28V.

Quiescent current is typically 60µA and a shutdown function is provided to reduce this current to less than 500nA in the 'off' state.

Output current can be adjusted by applying a PWM control signal to the 'Enable' pin. Depending upon the control frequency, this will provide either a continuous or a 'chopped' output current. The PWM filter components are contained within the chip.

The ZXLD1100 contains an internal avalanche diode to protect the output switch. This allows the device to operate indefinitely if the load is open circuit. Input supply current during this condition is less than 1mA.

The device is assembled in a low profile SC70-6 pin package with industry standard pinout.

#### ADVANCED FEATURES

- Internal 30V NDMOS switch, current sense and open circuit protection
- True Analog Dimming via PWM

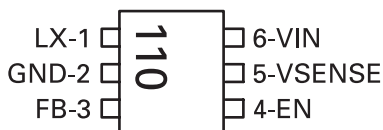
#### FEATURES

- Low profile SC70 6 pin package
- Internal PWM filter for flicker free output
- High efficiency (80% typ)
- Wide input voltage range: 2.5V to 5.5V
- Up to 50mA output current
- Low quiescent current: (60µA typ)
- 500nA maximum shutdown current
- Up to 1MHz switching frequency
- Low external component count
- Inherently matched LED currents

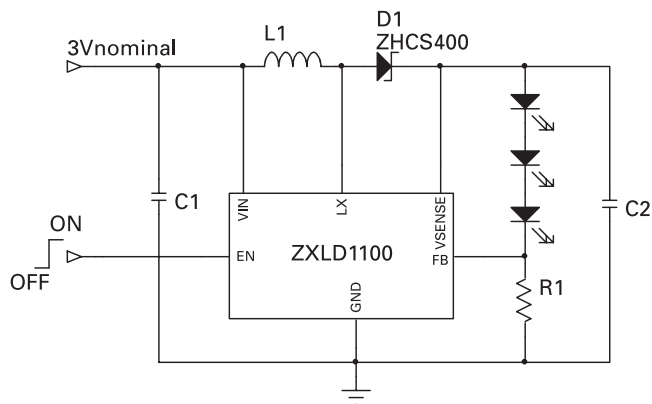
#### APPLICATIONS

- Mobile phones
- Digital cameras
- PDAs
- LCD modules
- Portable internet appliances
- Palmtop computers

#### PIN CONNECTIONS



#### TYPICAL APPLICATION CIRCUIT



# LAST TIME BUY

## Closest Alternative is AP5724FDCG-7

### ZXLD1100

#### ORDERING INFORMATION

DEVICE	DEVICE DESCRIPTION	TEMPERATURE RANGE	PART MARK	TAPING OPTIONS
ZXLD1100H6	Boost convertor in SC70-6	-40 to +85°C	110	TA, TC

ZXLD1100H6TA = 7" reel of 3,000 devices

ZXLD1100H6TC = 13" reel of 10,000 devices

#### ABSOLUTE MAXIMUM RATINGS (Voltages to GND unless otherwise stated)

PARAMETER	SYMBOL	LIMIT	UNIT
Input voltage	( $V_{IN}$ )	7	V
LX output voltage	( $V_{LX}$ )	30	V
Switch output current	( $I_{LX}$ )	500	mA
Power dissipation	(PD)	300	mW
Operating temperature	( $T_{OP}$ )	-40 to 85	°C
Storage temperature	( $T_{ST}$ )	-55 to 150	°C
Junction temperature	( $T_{J\ MAX}$ )	125	°C

# LAST TIME BUY

## Closest Alternative is AP5724FDCG-7

**ZXLD1100**

**ELECTRICAL CHARACTERISTICS** (at  $V_{IN} = 3V$ ,  $T_{amb} = 25^{\circ}C$  unless otherwise stated<sup>(1)</sup>)

SYMBOL	PARAMETER	CONDITIONS	MIN.	TYP.	MAX.	UNIT
$V_{IN}$	Input voltage		2.5		5.5	V
$I_{IN}$	Supply current					
	Quiescent	$V_{EN} = V_{IN}$ , $I_{LX} = 0$ , Output not switching		60	100	$\mu A$
	Shutdown	$V_{EN} = 0V$			500	nA
$V_{FB}$	FB pin control voltage		90.5		109.5	mV
$I_{FB}$	FB pin input current				100	nA
$f_{LX}$	Operating frequency	$L = 10\mu H$ , $V_{OUT} = 10V$ , $I_{OUT} = 20mA$		0.35	1	MHz
$T_{OFF}$	LX output 'OFF' time		350	500		ns
$T_{ON}$	LX output 'ON' time <sup>(2)</sup>				5	$\mu s$
$I_{LXpk}$	Switch peak current limit	$L = 10\mu H$ , $V_{OUT} = 10V$ , $I_{OUT} = 20mA$		320		mA
$R_{LX}$	Switch 'On' resistance			1.5		$\Omega$
$I_{LX(leak)}$	Switch leakage current	$V_{LX} = 20V$			1	$\mu A$
$V_{OUT}$	Controller output voltage	Normal operation VSENSE pin open-circuit or grounded			28	V
$V_{OUT(MAX)}$	Controller output voltage with output open circuit <sup>(3)</sup>	VSENSE connected to Vout	25	30		V
$V_{ENH}$	EN pin High level Input voltage	Device active	1.5		$V_{IN}$	V
$V_{ENL}$	EN pin Low level Input voltage	Device in shutdown			0.4	V
$I_{ENL}$	EN pin Low level input current	$V_{EN} = 0V$			-100	nA
$I_{ENH}$	EN pin High level input current	$V_{EN} = V_{IN}$			1	$\mu A$
$T_{EN(hold)}$	EN pin turn off delay <sup>(4)</sup>	$V_{EN}$ switched from high to low		120		$\mu s$
$\Delta T/T$	PWM duty cycle range at 'EN' input for filtered PWM control <sup>(5)</sup>	$10kHz < f < 100kHz$ , $V_{ENH} = V_{IN}$	20		100	%
$f_{LPF}$	Internal PWM low pass filter cut-off frequency			4		kHz
$A_{LPF}$	Filter attenuation	$f = 30kHz$		52.5		dB

**NOTES:**

- (1) Production testing of the device is performed at 25°C. Functional operation of the device over a -40°C to +85°C temperature range is guaranteed by design, characterization and process control.
- (2) Nominal 'on' time ( $T_{ONnom}$ ) is defined by the input voltage ( $V_{IN}$ ), coil inductance (L) and peak current ( $I_{LXpkdc}$ ) according to the expression:  
 $T_{ONnom} = (I_{LX(pkdc)} \times L / V_{IN}) + 200ns$ .
- (3) When using the open circuit protection feature, the maximum output voltage under normal operation should be maintained below the minimum value specified, in order to prevent possible disturbance of the current control loop.
- (4) This is the time for which the device remains active after the EN pin has been asserted low. This delay is necessary to allow the output to be maintained during dc PWM mode operation.
- (5) The minimum PWM signal frequency during this mode of operation is to ensure that the device remains active during PWM control. This provides a continuous dc output current. For lower frequencies, the device will be gated 'on' and 'off' during PWM control.
- (6) The maximum PWM signal frequency during this mode of operation should be kept as low as possible to minimize errors due to the turn-off delay of the device (see Enable pin turn-off delay).

# LAST TIME BUY

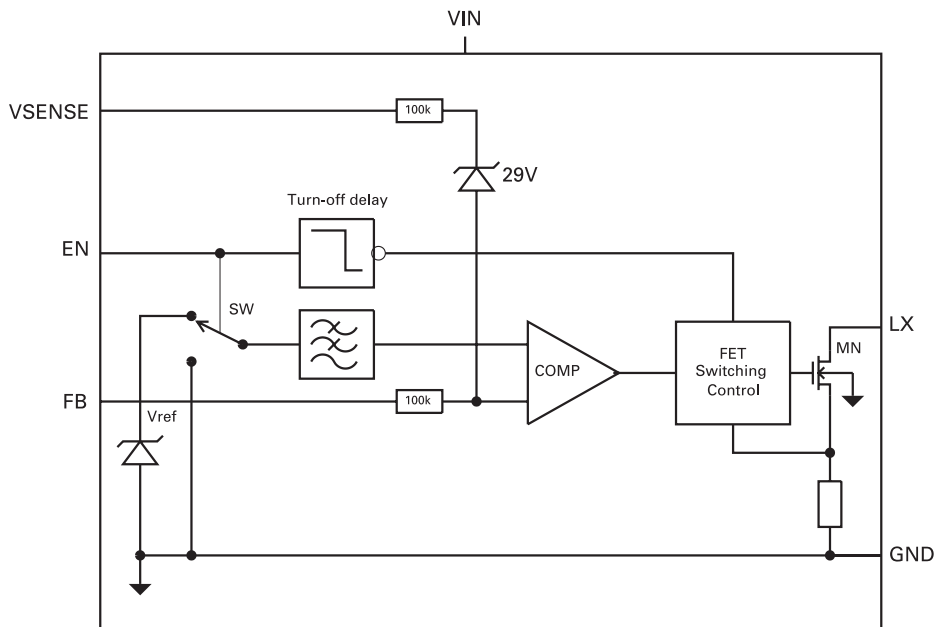
## Closest Alternative is AP5724FDCG-7

### ZXLD1100

#### PIN DESCRIPTION

PIN NO.	NAME	DESCRIPTION
1	LX	Output of NDMOS switch
2	GND	Ground (0V)
3	FB	Feedback pin for current control loop (connect resistor R1 from this pin to GND for output current $I=100\text{mV}/R1$ )
4	EN	Enable input (active high to turn on device) Also used to adjust output current by PWM signal. Connect to $V_{in}$ for permanent operation.
5	VSENSE	Output voltage sense (used for open circuit protection). Connect to GND if not required.
6	$V_{IN}$	Input voltage (2.5V to 5.5V). Decouple with capacitor close to device.

#### BLOCK DIAGRAM



# LAST TIME BUY

## Closest Alternative is AP5724FDCG-7

### ZXLD1100

#### DEVICE DESCRIPTION

The device is a PFM flyback dc-dc boost converter, working in discontinuous mode.

With reference to the chip block diagram and typical application circuit, the operation of the device is as follows:

#### Control loop

When 'EN' is high, the control circuits become active and the low side of the coil (L1) is switched to ground via NDMOS transistor (MN). The current in L1 is allowed to build up to an internally defined level (nominally 320mA) before MN is turned off. The energy stored in L1 is then transferred to the output capacitor (C2) via schottky diode (D1). When the voltage on C2 has risen above the threshold voltage of the series connected LEDs, current will flow through external sense resistor R1. The voltage developed across R1 is sensed at pin 'FB' and compared to a 100mV reference voltage ( $V_{REF}$ ). A comparator senses when the feedback voltage is above  $V_{REF}$  and its output is used to control the 'off' time of the output switch. The control loop is self-oscillating, producing pulses of up to 5 $\mu$ s maximum duration (switch 'on'), at a frequency that varies in proportion to the LED current. The feedback loop maintains a voltage of  $V_{REF}$  at the FB pin and therefore defines a maximum LED current equal to  $V_{REF}$  divided by R1. The minimum 'off' time of the output switch is fixed at 0.5 $\mu$ s nominal, to allow time for the coil's energy to be dissipated before the switch is turned on again. This maintains stable and efficient operation in discontinuous mode.

#### Open circuit protection

There is an internal avalanche diode between the  $V_{SENSE}$  and FB pins of the device. This diode, together with the associated resistors provides open circuit protection when the  $V_{SENSE}$  pin is connected to the output voltage. In the event of an open circuit condition, the output voltage will rise above the breakdown voltage of the internal diode, which will then conduct and override the control signal from the current sense resistor. This maintains the output voltage at a level below the breakdown voltage of the output switch. Supply current in this condition will fall to a low value as the control loop provides only the bias current for the diode.

#### Filtered PWM operation

The input of an internal low pass filter is switched to  $V_{REF}$  when the EN pin is high and switched to ground when the EN pin is low. The output of this filter drives the comparator within the control loop. A continuous high state on EN therefore provides a filtered voltage of value  $V_{REF}$  to the comparator. However, by varying the duty cycle of the EN signal at a suitably high frequency ( $f > 10\text{kHz}$ ), the control loop will see a voltage, that has an average value equal to the duty cycle multiplied by  $V_{REF}$ . This provides a means of adjusting the output current to a lower value. It also allows the device to be both turned on and adjusted with a single signal at the 'EN' pin. The output during this mode of operation will be a dc current equal to  $(V_{REF}/R1) \times \text{duty cycle}$

#### Gated PWM operation

The internal circuitry of the ZXLD1100 is turned off when no signal is present on the 'EN' pin for more than 120 $\mu$ s (nominal). A low frequency signal applied to the EN pin will therefore gate the device 'on' and 'off' at the gating frequency and the duty cycle of this signal can be varied to provide a 'chopped' output current equal to  $(V_{REF}/R1) \times \text{duty cycle}$ . For best accuracy, the gating frequency should be made as low as possible (e.g. below 1kHz), such that the turn off delay of the chip is only a small proportion of the gating period

Further details of setting output current are given in the applications section under brightness control.

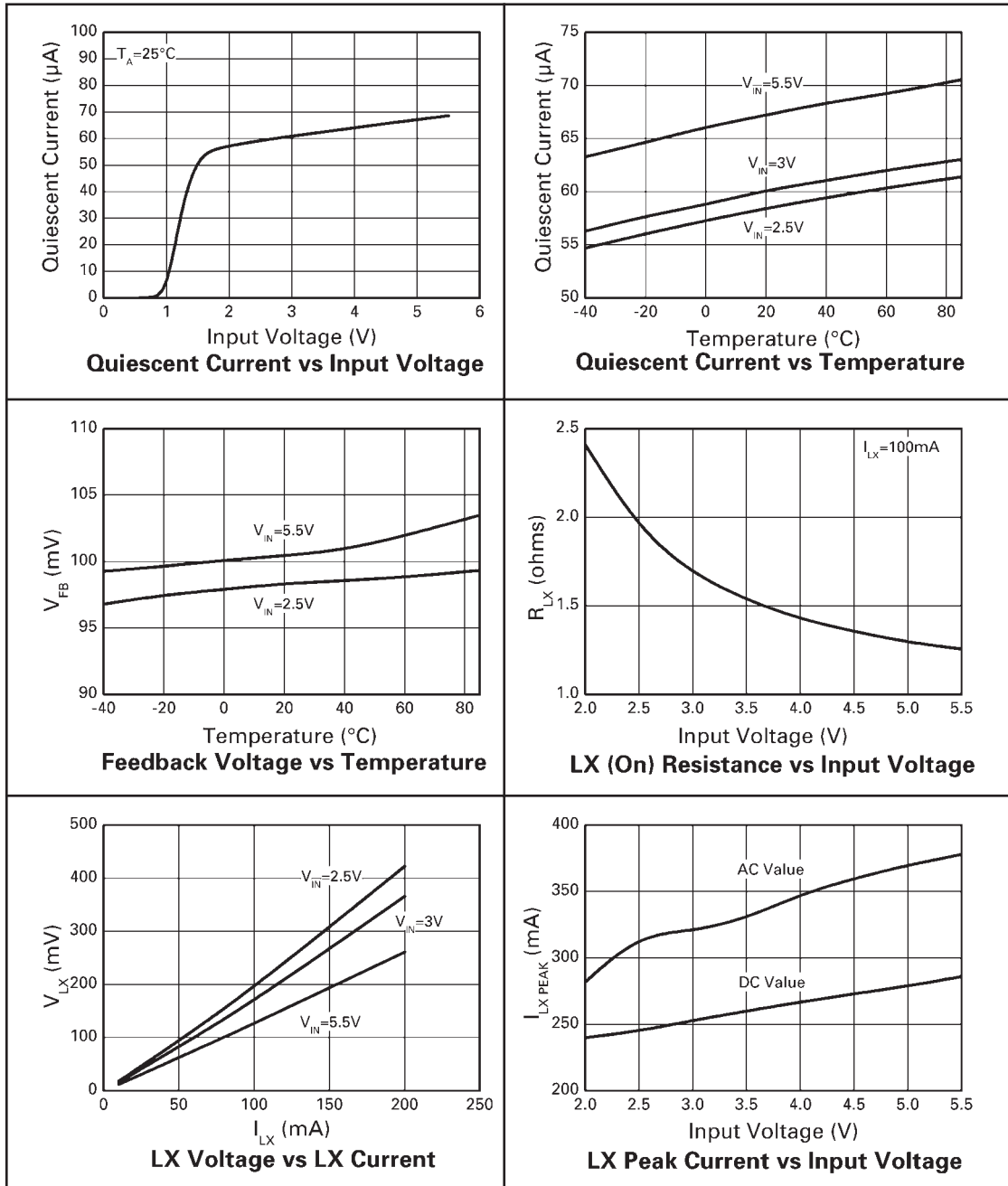
# LAST TIME BUY

## Closest Alternative is AP5724FDCG-7

### ZXLD1100

#### TYPICAL CHARACTERISTICS

(For typical application circuit at  $V_{IN}=3V$  and  $T_A=25^\circ C$  unless otherwise stated)



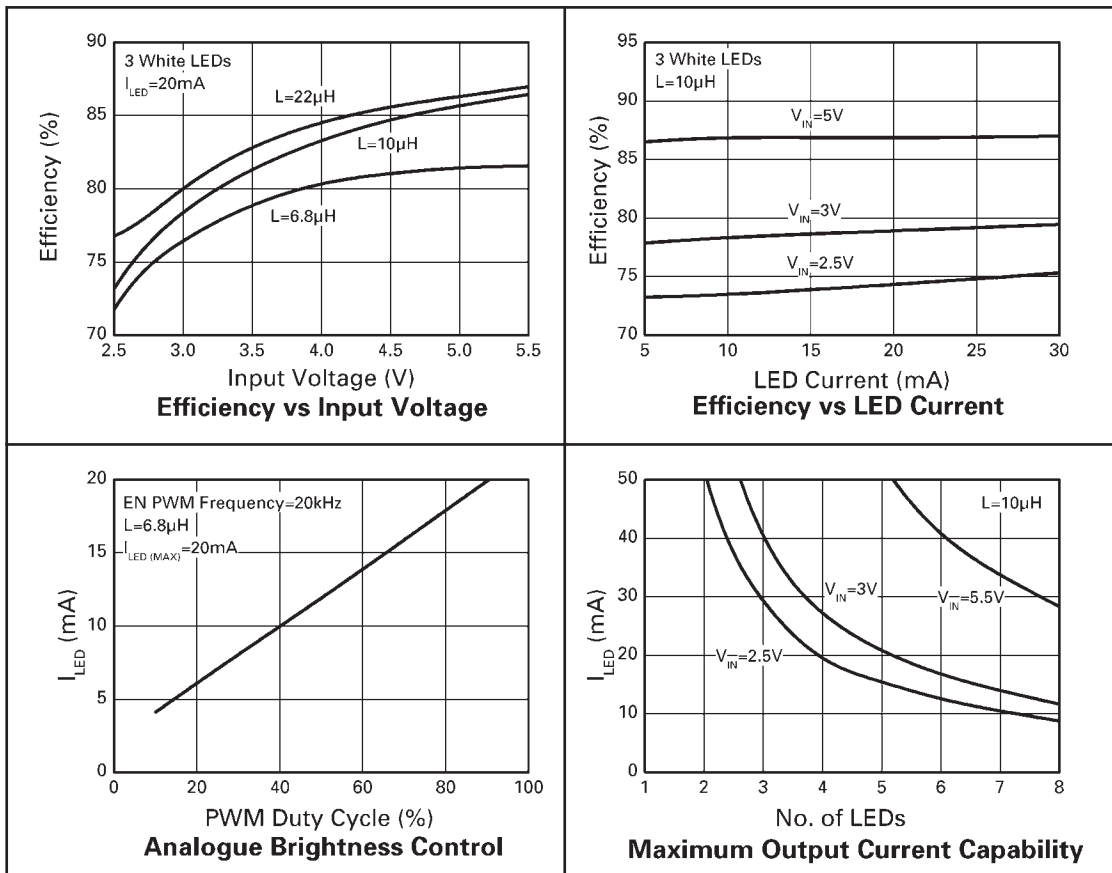
# LAST TIME BUY

## Closest Alternative is AP5724FDCG-7

**ZXLD1100**

### TYPICAL OPERATING CHARACTERISTICS

(For typical applications circuit at  $V_{IN}=3V$ ,  $L=10\mu H$  Coilcraft DO1608C Series, 3 series LEDs,  $I_{LED}=15mA$ ,  $T_A=25^\circ C$  unless otherwise stated)



# LAST TIME BUY

## Closest Alternative is AP5724FDCG-7

### ZXLD1100

#### APPLICATIONS

##### Programming the maximum LED current

The maximum LED current is programmed by adding a single resistor in series with the LED chain. The current is determined by the resistor value and feedback voltage and is given by:

$$I_{LED} = V_{FB}/R1$$

where  $V_{FB}=100mV$

The table below gives recommended resistor values for required LED currents:

LED Current	R1 Value
10mA	10Ω
15mA	6.8Ω
20mA	5Ω
30mA	3.3Ω

##### Dimming Control via a PWM signal on the EN pin

A Pulse Width Modulated (PWM) signal can be applied to the EN pin in order to adjust the output current to a value below the maximum LED current. Two modes of adjustment are possible as described below.

##### True Analog Dimming - Filtered 'DC' mode

If a PWM signal of 10kHz or higher is applied to the EN pin, the device will remain active when the EN pin is low. However, the input to the internal low pass filter will be switched alternately from  $V_{REF}$  to ground, with a duty cycle (D) corresponding to that of the PWM signal. This will present a filtered dc voltage equal to the duty cycle multiplied by  $V_{REF}$  to the control loop and will produce a dc output current lower than the maximum set value. This current is given by:

$$I_{OUTdc} = 0.1D/R1$$

This mode of adjustment minimizes flicker in the light output and system noise.

##### Pulsed Dimming - Gated Mode

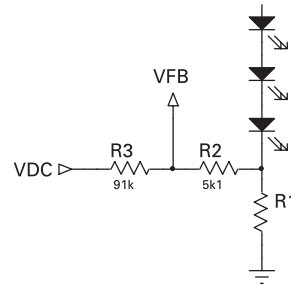
If a lower frequency of 1kHz or less is applied to the EN pin, the device will be gated 'on' and 'off' at a duty cycle (D) corresponding to that of the input signal. The average output current is then given by:

$$I_{OUTavg} \approx 0.1D/R1$$

This mode may be preferred over dc current control if the purest white output is required. However, note the 120μs nominal turn-off delay of the device, when using the device in this mode.

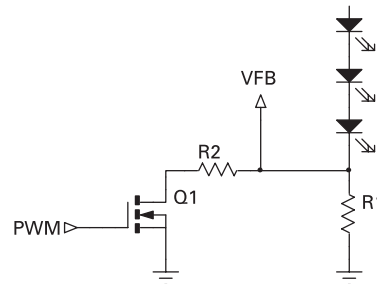
##### Dimming Control using a DC voltage

For applications where the EN pin is not available a DC voltage can be used to control dimming. By adding resistors R2 and R3 and applying a DC voltage, the LED current can be adjusted from 100% to 0%. As the DC voltage increases, the voltage drop across R2 increases and the voltage drop across R1 decreases, thus reducing the current through the LEDs. Selection of R2 and R3 should ensure that the current from the DC voltage is much less than the LED current and much larger than the feedback current. The component values in the diagram below represent 0% to 100% dimming control from a 0 to 2V DC voltage.



##### Dimming Control using a logic signal

For applications where the LED current needs to be adjusted in discrete steps a logic signal can be applied as shown in the diagram below. When Q1 is 'off', R1 sets the minimum LED current. When Q1 is 'on', R2 sets the LED current that will be added to the minimum LED current. The formula for selecting values for R1 and R2 are given below:



MOSFET 'off'

$$I_{LED(MIN)} = \frac{V_{FB}}{R_{LED}}$$

MOSFET 'on'

$$I_{LED(MAX)} = \frac{V_{FB}}{R_{LED}} + I_{LED(MIN)}$$

where  $V_{FB} = 100mV$



# LAST TIME BUY

## Closest Alternative is AP5724FDCG-7

ZXLD1100

### Open circuit protection

The voltage sense pin ( $V_{SENSE}$ ) can be connected to the output to provide open circuit protection for the device and external circuits when driving series connected LEDs, thus eliminating the need for an external Zener diode. Protection is provided by the internal avalanche diode (ZD), which limits the maximum output voltage to a value below the breakdown voltage of the output switch when the connection to the diodes is broken.

For maximum stability over temperature, capacitors with X7R dielectric are recommended, as these have a much smaller temperature coefficient than other types.

A table of recommended manufacturers is provided below:

Manufacturer	Website
Murata	<a href="http://www.murata.com">www.murata.com</a>
Taiyo Yuden	<a href="http://www.t-yuden.com">www.t-yuden.com</a>
Kemet	<a href="http://www.kement.com">www.kement.com</a>
AVX	<a href="http://www.avxcorp.com">www.avxcorp.com</a>

### Capacitor selection

A ceramic capacitor grounded close to the GND pin of the package is recommended at the output of the device. Surface mount types offer the best performance due to their lower inductance. A minimum value of  $0.22\mu\text{F}$  is advised, although higher values will lower switching frequency and improve efficiency especially at lower load currents. A higher value will also minimize ripple when using the device to provide an adjustable dc output current.

A good quality, low ESR capacitor should also be used for input decoupling, as the ESR of this capacitor is effectively in series with the source impedance and lowers overall efficiency. This capacitor has to supply the relatively high peak current to the coil and smooth the current ripple on the input supply. A minimum value of  $1\mu\text{F}$  is acceptable if the input source is close to the device, but higher values will improve performance at lower input voltages, when the source impedance is high. The input capacitor should be mounted as close as possible to the IC.

# LAST TIME BUY

## Closest Alternative is AP5724FDCG-7

### ZXLD1100

#### Inductor selection

The choice of inductor will depend on available board space as well as required performance. Small value inductors have the advantage of smaller physical size and may offer lower series resistance and higher saturation current compared to larger values. A disadvantage of lower inductor values is that they result in higher frequency switching, which in turn causes reduced efficiency due to switch losses. Higher inductor values can provide better performance at lower supply voltages. However, if the inductance is too high, the output power will be limited by the internal oscillator, which will prevent the coil current from reaching its peak value. This condition will arise whenever the ramp time ( $LX_{(peak)} \times L/V_{IN}$ ) exceeds the nominal  $5\mu s$  maximum 'on' time limit for the LX output.

The graphs opposite show the ZXLD1100 performance for given inductor values and different manufacturers.

Recommended inductor values for the ZXLD1100 are in the range  $6.8\mu H$  to  $22\mu H$ . The inductor should be mounted as close to the device as possible with low resistance connections to the LX and VIN pins.

Suitable coils for use with the ZXLD1100 are shown in the table below:

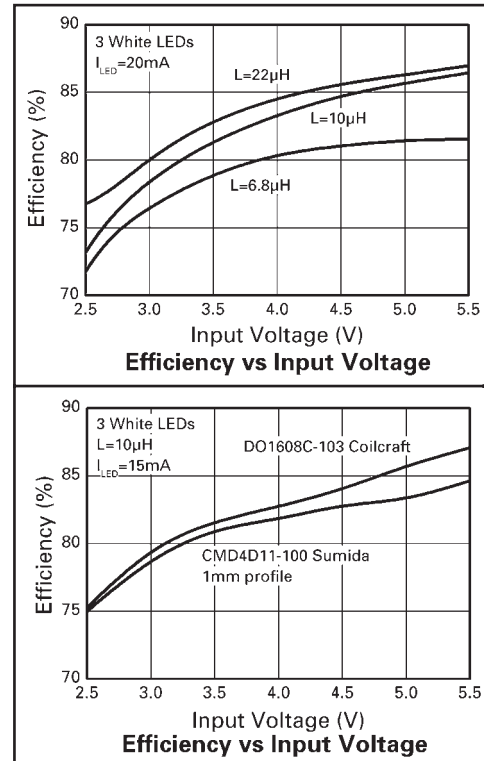
Part No.	L ( $\mu H$ )	DCR ( $\Omega$ )	$I_{SAT}$ (A)	Manufacturer
CMD4D11-100MC	10	0.457	0.5	Sumida www.sumida.com
DO1608-103	10	0.16	1.1	Coilcraft www.coilcraft.com
LQH31CN100	10	1.3	0.23	Murata www.murata.com
LB2012Y100MR	10	0.5	0.1	Taiyo Yuden www.t-yuden.com

#### Diode selection

The rectifier diode (D1) should be a fast low capacitance schottky diode with low reverse leakage at the working voltage. It should also have a peak current rating above the peak coil current and a continuous current rating higher than the maximum output load current.

The table below gives some typical characteristics for diodes that can be used with the ZXLD1100:

Diode	$V_F$ @ 100mA (mV)	$I_{FSM}$ (mA)	$I_C$ (mA)	$I_R$ at 30V ( $\mu A$ )	Package
ZHCS400	300	1000	400	15	SOD323
ZHCS500	300	1000	500	15	SOT23



#### Layout considerations

PCB tracks should be kept as short as possible to minimize ground bounce, and the ground pin of the device should be soldered directly to the ground plane. It is particularly important to mount the coil and the input/output capacitors close to the device to minimize parasitic resistance and inductance, which will degrade efficiency. The FB pin is a high impedance input so PCB track lengths to this should also be kept as short as possible to reduce noise pickup. Excess capacitance from the FB pin to ground should be avoided.

# LAST TIME BUY

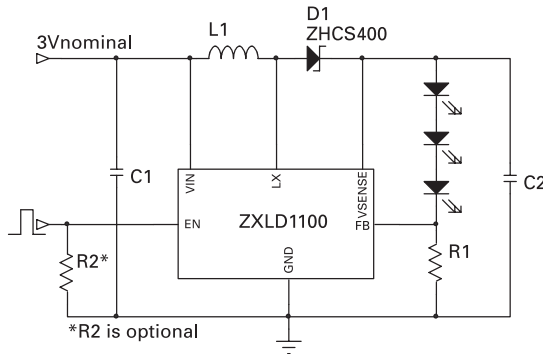
## Closest Alternative is AP5724FDCG-7

**ZXLD1100**

### REFERENCE DESIGNS

#### 3 LED Driver for Handset LCD Backlight

#### Circuit Diagram



Note: LED current is set to 15mA

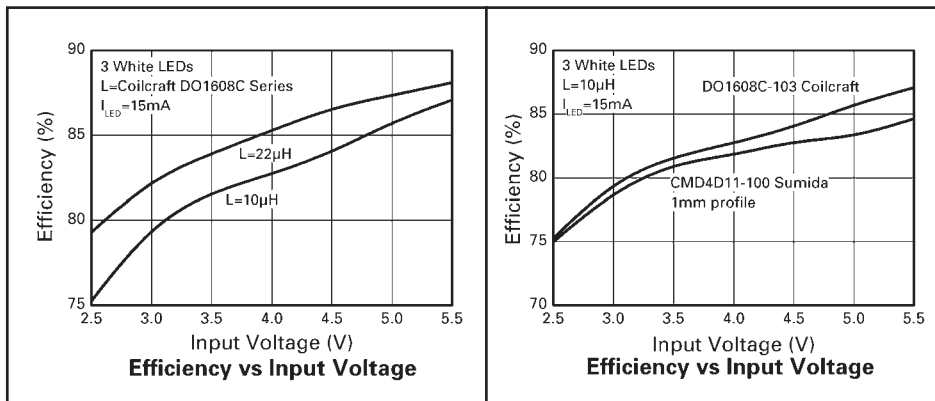
\*R2 is optional

#### Bill of materials

Ref	Value	Package	Part Number	Manufacturer	Notes
U1		SC70-6	ZXLD1100H6	Zetex	LED Driver IC
D1	400mA	SOD323	ZHCS400	Zetex	400mA Schottky Diode
L1	10 $\mu$ H		CMD4D11-100MC	Sumida	1mm Height Profile
R1	6.8 $\Omega$	0603	Generic	Generic	
R2 <sup>1</sup>	100k $\Omega$	0603	Generic	Generic	
C1	1 $\mu$ F	0603	Generic	Generic	
C2	1 $\mu$ F	0603	Generic	Generic	
LEDs			NSCW215	Nichia	3pcs per board

Note: R2 is optional. If EN is floating add R2 to shutdown the ZXLD1100 and LEDs. If EN pin can be driven low, R2 is not necessary.

#### Performance Graphs



ISSUE 4 - JULY 2004

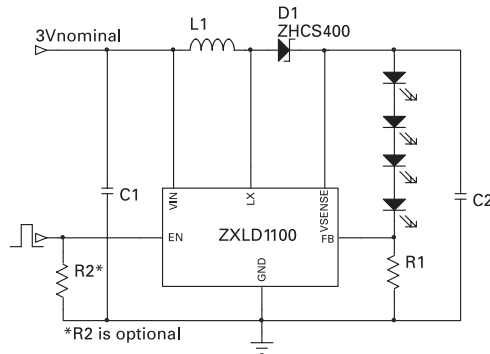
# LAST TIME BUY

## Closest Alternative is AP5724FDCG-7

### ZXLD1100

4 LED Driver for Handset LCD Backlight

#### Circuit Diagram



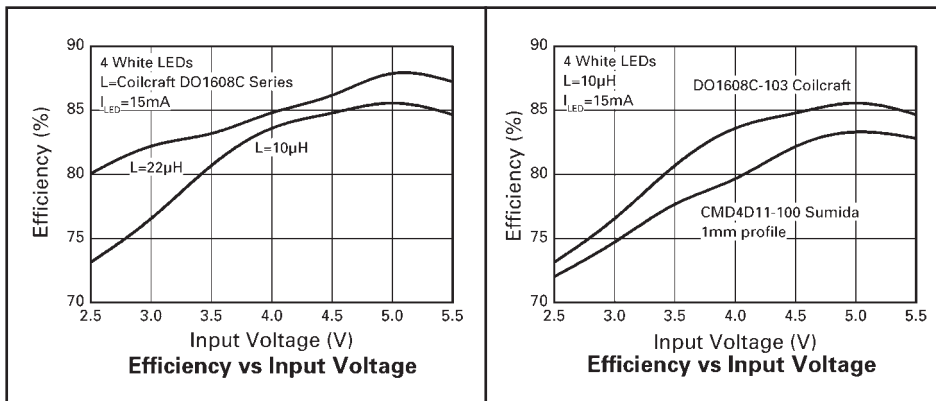
Note: LED current is set to 15mA

#### Bill of materials

Ref	Value	Package	Part Number	Manufacturer	Notes
U1		SC70-6	ZXLD1100H6	Zetex	LED Driver IC
D1	400mA	SOD323	ZHCS400	Zetex	400mA Schottky Diode
L1	10 $\mu$ H		CMD4D11-100MC	Sumida	1mm Height Profile
R1	6.8 $\Omega$	0603	Generic	Generic	
R2 <sup>1</sup>	100k $\Omega$	0603	Generic	Generic	
C1	1 $\mu$ F	0603	Generic	Generic	
C2	1 $\mu$ F	0603	Generic	Generic	
LEDs			NSCW215	Nichia	4pcs per board

Note: R2 is optional. If EN is floating add R2 to shutdown the ZXLD1100 and LEDs. If EN pin can be driven low, R2 is not necessary.

#### Performance Graphs



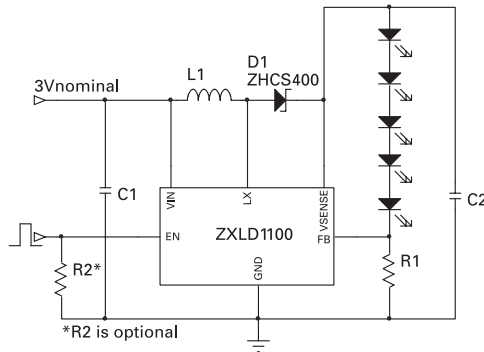
# LAST TIME BUY

## Closest Alternative is AP5724FDCG-7

**ZXLD1100**

5 LED Driver for Handset Main and Sub Display LCD Backlight

### Circuit Diagram



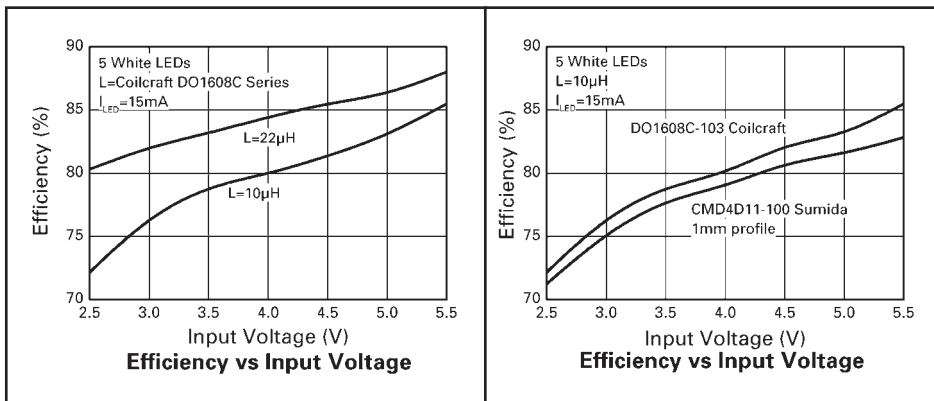
Note: LED current is set to 15mA

### Bill of materials

Ref	Value	Package	Part Number	Manufacturer	Notes
U1		SC70-6	ZXLD1100H6	Zetex	LED Driver IC
D1	400mA	SOD323	ZHCS400	Zetex	400mA Schottky Diode
L1	10 $\mu$ H		CMD4D11-100MC	Sumida	1mm Height Profile
R1	6.8 $\Omega$	0603	Generic	Generic	
R2 <sup>1</sup>	100k $\Omega$	0603	Generic	Generic	
C1	1 $\mu$ F	0603	Generic	Generic	
C2	1 $\mu$ F	0603	Generic	Generic	
LEDs			NSCW215	Nichia	5pcs per board

Note: R2 is optional. If EN is floating add R2 to shutdown the ZXLD1100 and LEDs. If EN pin can be driven low, R2 is not necessary.

### Performance Graphs



ISSUE 4 - JULY 2004

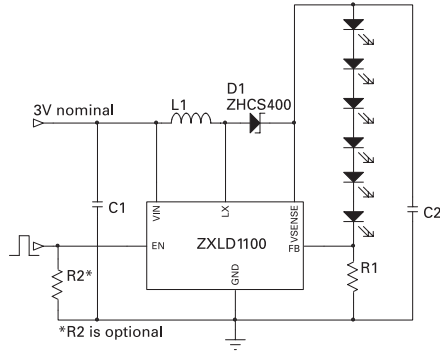
# LAST TIME BUY

## Closest Alternative is AP5724FDCG-7

### ZXLD1100

6 LED Driver for LCD Backlight

Circuit Diagram



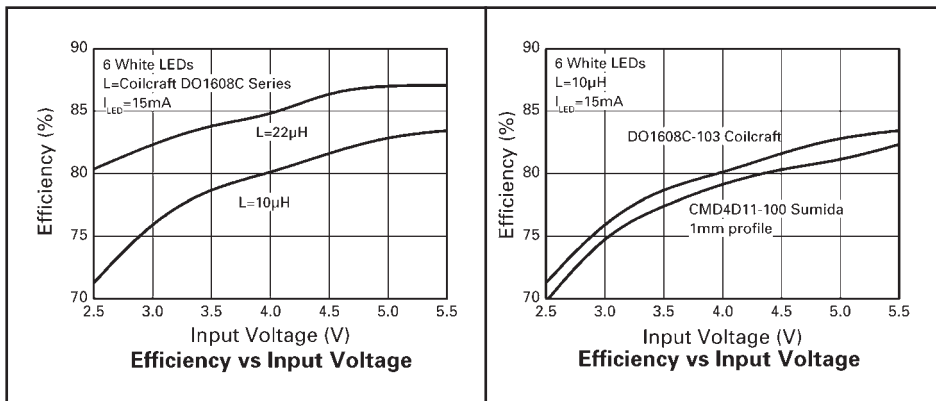
Note: LED current is set to 15mA

### Bill of materials

Ref	Value	Package	Part Number	Manufacturer	Notes
U1		SC70-6	ZXLD1100H6	Zetex	LED Driver IC
D1	400mA	SOD323	ZHCS400	Zetex	400mA Schottky Diode
L1	10 $\mu$ H		CMD4D11-100MC	Sumida	1mm Height Profile
R1	6.8 $\Omega$	0603	Generic	Generic	
R2 <sup>1</sup>	100k $\Omega$	0603	Generic	Generic	
C1	1 $\mu$ F	0603	Generic	Generic	
C2	1 $\mu$ F	0603	Generic	Generic	
LEDs			NSCW215	Nichia	6pcs per board

Note: R2 is optional. If EN is floating add R2 to shutdown the ZXLD1100 and LEDs. If EN pin can be driven low, R2 is not necessary.

### Performance Graphs



**LAST TIME BUY**  
**Closest Alternative is AP5724FDCG-7**

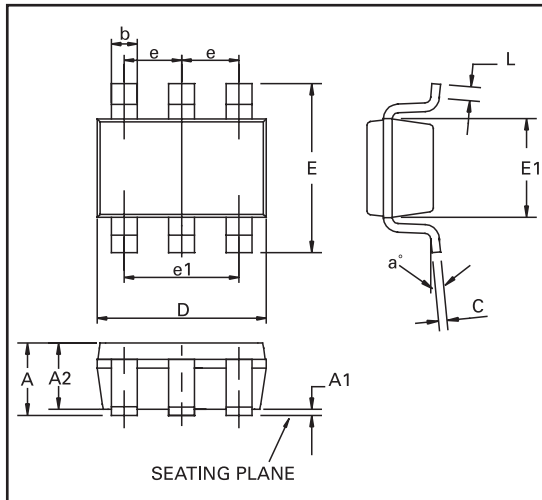
**ZXLD1100**

# LAST TIME BUY

## Closest Alternative is AP5724FDCG-7

### ZXLD1100

#### PACKAGE OUTLINE - SC70-6



Controlling dimensions are in millimeters. Approximate conversions are given in inches

#### PACKAGE DIMENSIONS

DIM	Millimeters		Inches		DIM	Millimeters		Inches	
	Min	Max	Min	Max		Min	Max	Min	Max
A	0.80	1.10	0.0315	0.0433	E	2.10BSC		0.0826 BSC	
A1	-	0.10	-	0.0039	E1	1.25	1.35	0.0492	0.0531
A2	0.80	1.00	0.0315	0.0394	e	0.65 BSC		0.0255 BSC	
b	0.15	0.30	0.006	0.0118	e1	1.30 BSC		0.0511 BSC	
C	0.08	0.25	0.0031	0.0098	L	0.26	0.46	0.0102	0.0181
D	2.00 BSC		0.0787 BSC		a°	0°	8°	0°	8°

© Zetex plc 2003

Europe	Americas	Asia Pacific
Zetex plc Fields New Road Chadderton Oldham, OL9 8NP United Kingdom Telephone: (44) 161 622 4444 Fax: (44) 161 622 4446 hq@zetex.com	Zetex GmbH Streitfeldstraße 19 D-81673 München  Germany Telefon: (49) 89 45 49 49 0 Fax: (49) 89 45 49 49 49 europe.sales@zetex.com	Zetex (Asia) Ltd 3701-04 Metroplaza Tower 1 Hing Fong Road Kwai Fong Hong Kong Telephone: (852) 26100 611 Fax: (852) 24250 494 asia.sales@zetex.com
	Zetex Inc 700 Veterans Memorial Hwy Hauppauge, NY 11788  USA Telephone: (1) 631 360 2222 Fax: (1) 631 360 8222 usa.sales@zetex.com	

These offices are supported by agents and distributors in major countries world-wide.

This publication is issued to provide outline information only which (unless agreed by the Company in writing) may not be used, applied or reproduced for any purpose or form part of any order or contract or be regarded as a representation relating to the products or services concerned. The Company reserves the right to alter without notice the specification, design, price or conditions of supply of any product or service.

For the latest product information, log on to [www.zetex.com](http://www.zetex.com)



ISSUE 4 - JULY 2004