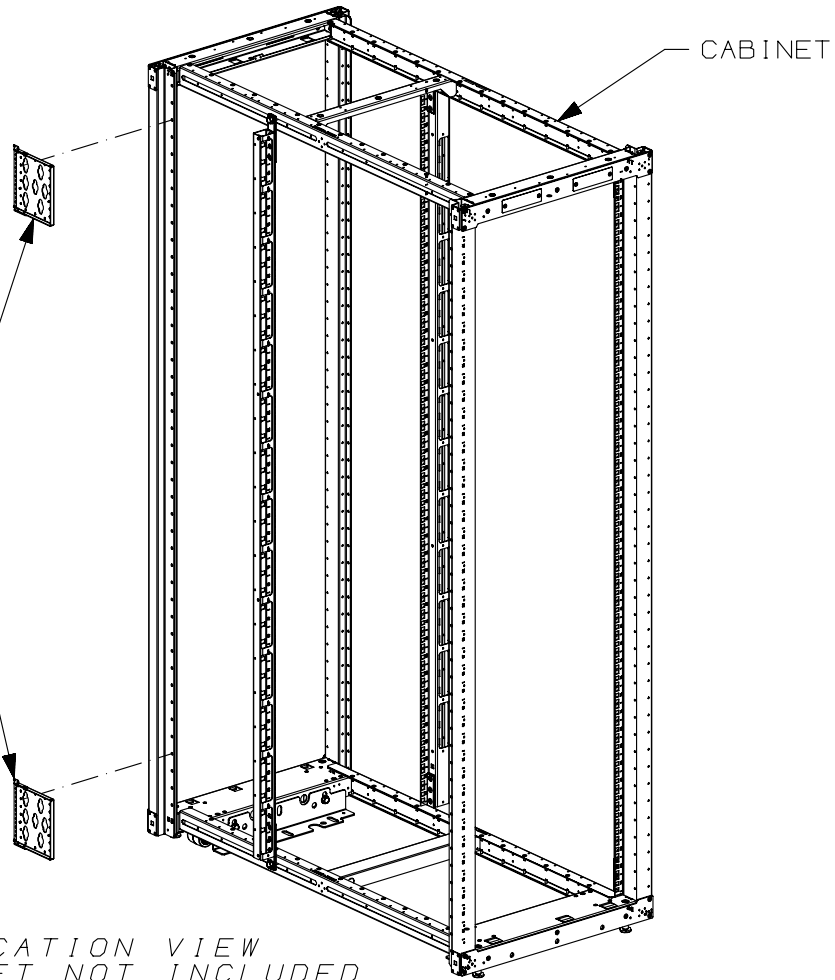


2

1

THIS COPY IS PROVIDED ON A RESTRICTED BASIS AND IS NOT TO BE USED IN ANY WAY DETRIMENTAL TO THE INTERESTS OF PANDUIT CORP.

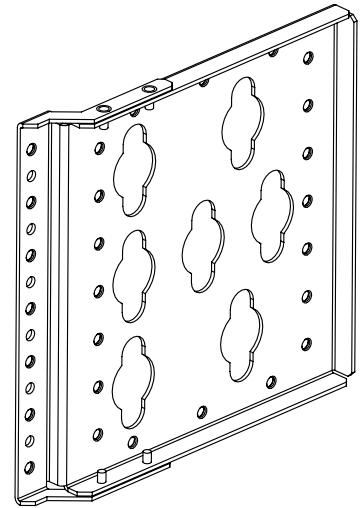


PDU MOUNTING BRACKETS CAN BE ADJUSTED VERTICALLY ALONG CABINET PER RACK SPACE

APPLICATION VIEW  
CABINET NOT INCLUDED

PANDUIT P/N	WEIGHT
SPDUBRK	2.0 Kg/EACH 4.4 LBS/EACH

- NOTES:
- VISIT OUR ON-LINE CATALOG AT [WWW.PANDUIT.COM](http://WWW.PANDUIT.COM) FOR A LIST OF CURRENT PARTS APPLICABLE FOR USE WITH THIS PRODUCT.
  - PRIMARY DIMENSIONS ARE IN MILLIMETERS (mm).
  - PARTS SUPPLIED:
    - (1)- PAIR OF PDU MOUNTING BRACKETS
    - (1)- HARDWARE KIT
    - (1)- INSTRUCTION SHEET



B

B



A

A

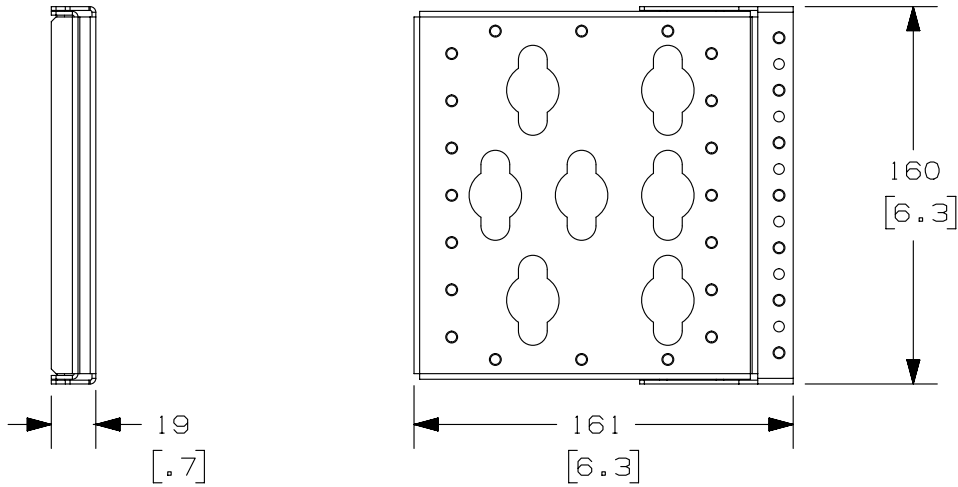
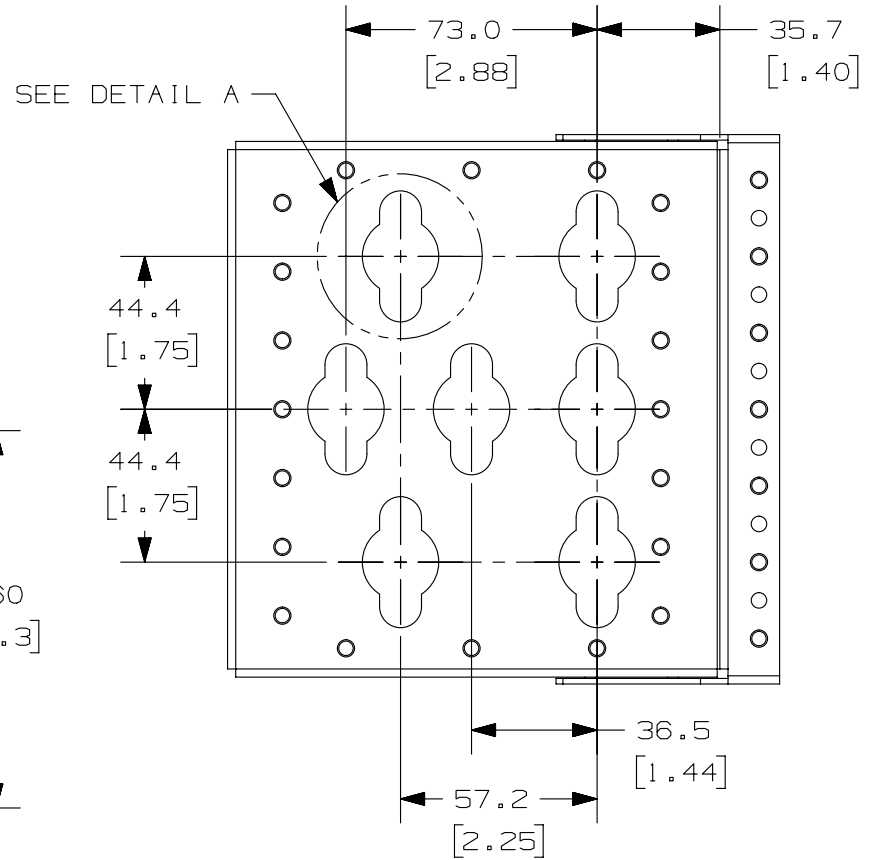
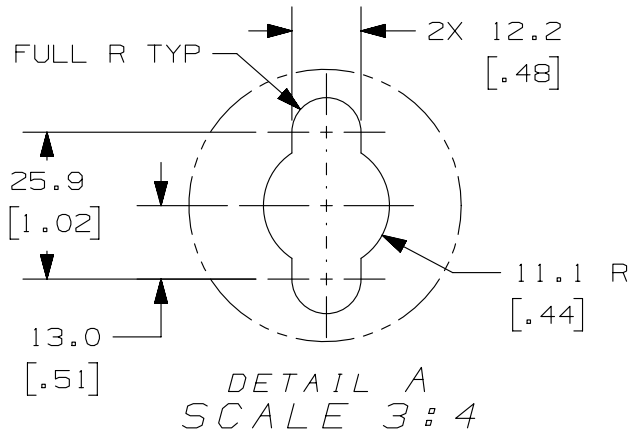
REV	DATE	BY	CHK	APR	DESCRIPTION	ECN
02A	8-29-13	PBS	PIP	KRKE	RELEASED TO PRODUCTION	12V343ZC-DC

TITLE		SPDUBRK	
		CUSTOMER DRAWING	
ITEM REVISION NAME		12V343ZC/02.PRT	
DATASET FILE NAME		12V343ZC_DC_02A.PRT	
UNLESS OTHERWISE SPECIFIED, DIMENSIONAL TOLERANCES ARE:		MATERIAL/COLOR:	
INCHES	METRIC - MILLIMETER		
X.X +/- 0.06	X.X +/- 1.5		
X.XX +/- 0.03	X.X +/- 0.8		
X.XXX +/- 0.015	X.XX +/- 0.4		
DRAWING NUMBER:		12V343ZC-DC	
DRAWN BY	DATE	CHK	SCALE
PBS	8-29-13	PIP	NONE
SHT 1 OF 2		SIZE	
		A	

2

1

THIS COPY IS PROVIDED ON A RESTRICTED BASIS AND IS NOT TO BE USED IN ANY WAY DETRIMENTAL TO THE INTERESTS OF PANDUIT CORP.



O2A	8-29-13	PBS	PIP	KRKE	SEE SHEET 1 OF 2 FOR REVISIONS				12V343ZC-DC
REV	DATE	BY	CHK	APR	DESCRIPTION		ECN		

TITLE				SPDUBRK					
CUSTOMER DRAWING									
ITEM REVISION NAME				12V343ZC/02.PRT					
DATASET FILE NAME				12V343ZC_DC_02A.PRT					
UNLESS OTHERWISE SPECIFIED, DIMENSIONAL TOLERANCES ARE:				MATERIAL/COLOR:					
INCHES		METRIC - MILLIMETER		ANGLE					
X.X	+/- 0.06	X.	+/- 1.5						
X.XX	+/- 0.03	X.X	+/- 0.8		+/- 1°				
X.XXX	+/- 0.015	X.XX	+/- 0.4						
DRAWING NUMBER:				12V343ZC-DC					
DRAWN BY				DATE		CHK		SCALE	
PBS				8-29-13		PIP		NONE	
THIRD ANGLE PROJECTION									
SHT 2 OF 2								SIZE	
								A	