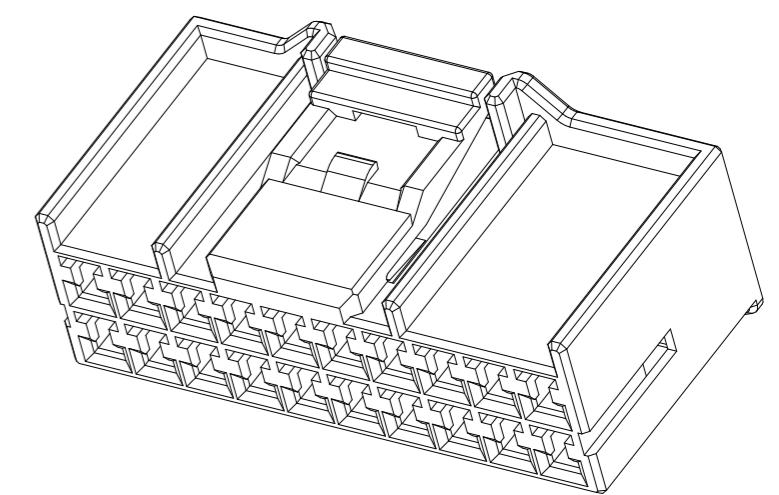
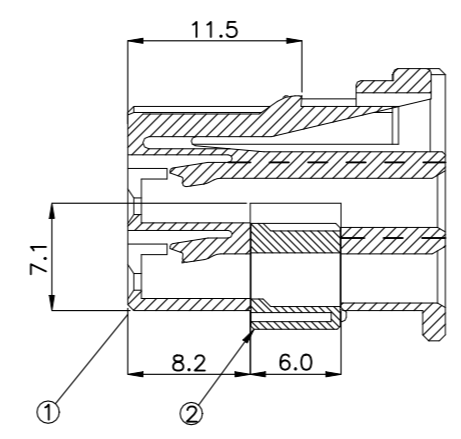
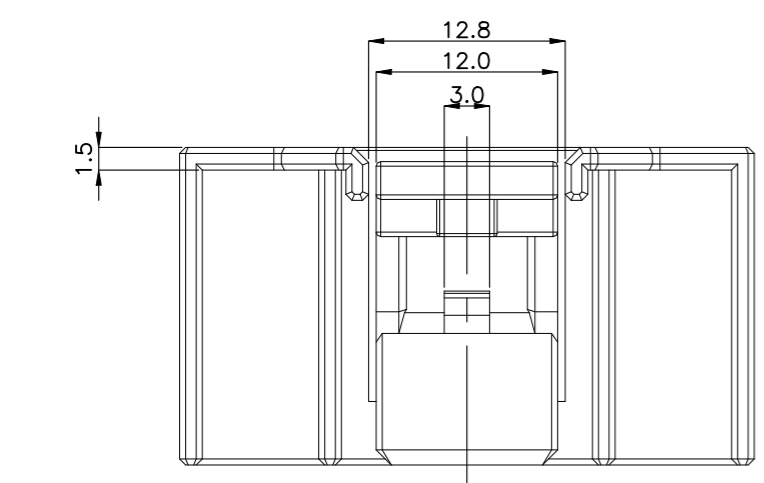
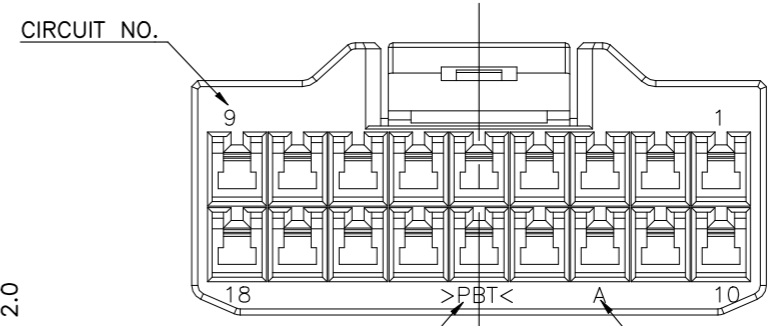
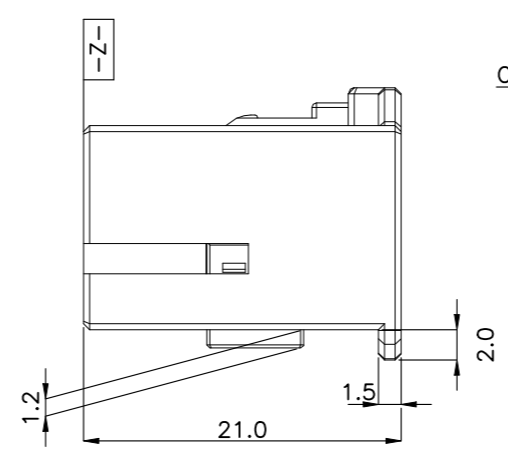
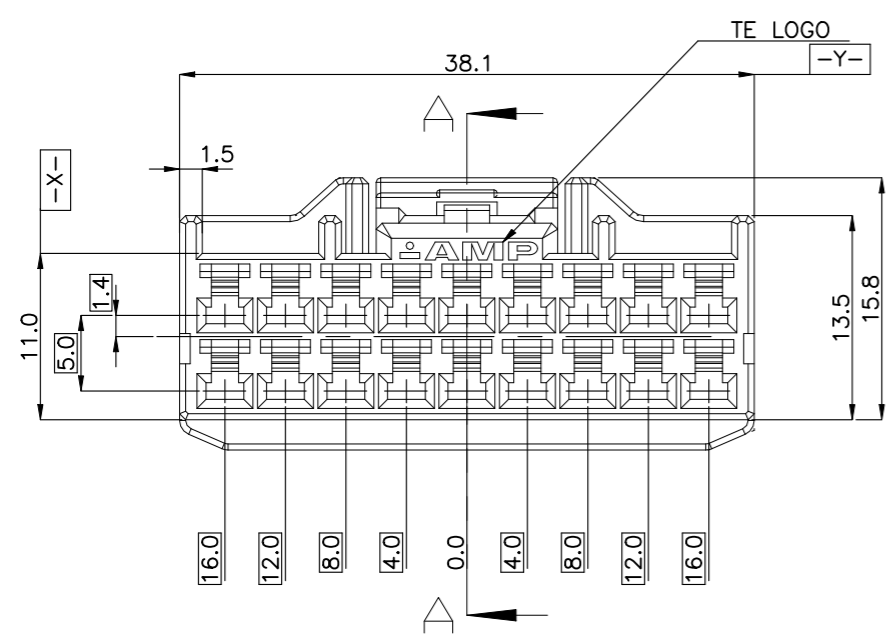


| REVISIONS | | | | | |
|-----------|-----|------------------------|-----------|-----|------|
| P | LTR | DESCRIPTION | DATE | DWN | APVD |
| B3 | | REVISED(ECR-22-135846) | 13APR2022 | HG | YJ |



SECTION A-A



| ASSY P/N | QTY | STATUS |
|------------|-----|----------|
| 0-936204-8 | 1 | |
| 0-936204-7 | 1 | |
| 0-936204-6 | 1 | OBSOLETE |
| 0-936204-5 | 1 | |
| 0-936204-4 | 1 | |
| 0-936204-3 | 1 | |
| 0-936204-2 | 1 | |
| 0-936204-1 | 1 | |

| NO | COLOR | MATERIAL | DESCRIPTION | P/N | QTY |
|----|---------|----------|-------------|------------|-----------------|
| 1 | BLUE | PBT | PLUG | 0-936205-8 | 1 |
| | GREEN | PBT | PLUG | 0-936205-7 | 1 |
| | RED | PBT | PLUG | 0-936205-6 | 1 |
| | YELLOW | PBT | PLUG | 0-936205-5 | 1 |
| | BROWN | PBT | PLUG | 0-936205-4 | 1 |
| | D/GRAY | PBT | PLUG | 0-936205-3 | 1 |
| | BLACK | PBT | PLUG | 0-936205-2 | 1 |
| | NATURAL | PBT | PLUG | 0-936205-1 | 1 |
| 2 | NATURAL | PBT | DBL | 0-936206-1 | 1 1 1 1 1 1 1 1 |

TOLERANCES UNLESS OTHERWISE SPECIFIED:
 0 <XX<10 ± 0.2
 10<XX<30 ± 0.25
 30<XX ± 0.3
 ANGLES ± 3°

| | |
|--|---|
| THIS DRAWING IS A CONTROLLED DOCUMENT. | |
| DIMENSIONS: mm | TOLERANCES UNLESS OTHERWISE SPECIFIED: 0 PLC ± - 1 PLC ± - 2 PLC ± - 3 PLC ± - 4 PLC ± - ANGLES ± - |
| MATERIAL SEE TABLE | FINISH - |

DWN KT JUNG
 CHK JW JUNG
 APVD HG CHO
 PRODUCT SPEC
 APPLICATION SPEC
 WEIGHT 0
 CUSTOMER DRAWING

STE TE Connectivity
 090III 18P PLUG ASS'Y
 SIZE A3 CAGE CODE 00779 DRAWING NO C-936204 RESTRICTED TO -
 SCALE 1:1 SHEET 1 OF 1 REV B3

NOTES.
 1. THE MATING HSG. P/N ; 936213
 2. APPLIED CONTACT P/N ;
 090 II REC.- 368083,368084,368085
 090 III REC.- 1743654,1743655,1743656,1897753,1897598

-추가-

1. 상대 하우징 P/N. ; 936213
 2. 적용단자 P/N. ; 090 II REC.- 368083,368084,368085
 090 III REC.- 1743654,1743655,1743656,1897753,1897598