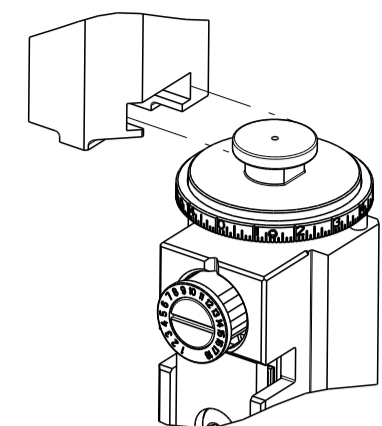


PART NUMBER	REVISION	DESCRIPTION	FEED TYPE
2151403-2	F	FINE CRIMP HEIGHT ADJUST	PNEUMATIC
7-2151403-2	F	PNEUMATIC AND CRIMP TOOLING KIT	PNEUMATIC
7-2151403-7	F	CRIMP TOOLING KIT	-

ATLANTIC VERSION TERMINATOR INTERFACE ADAPTER



APPLICATOR DATA		
CRIMP	SIZE	TYPE
WIRE	3.00 mm [.118]	F
INSUL	3.75 mm [.148]	OV

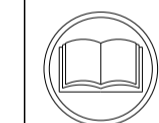
APPLICATOR INSTRUCTIONS 408-35042

TERMINAL DATA: YAZAKI TERMINAL YAZAKI CRIMP SPECIFICATION			
TERMINAL NAME: 6.3mm YESC UNSEALED MALE TERMINAL			
WIRE STRIP LENGTH	INSULATION DIAMETER RANGE		
5.00-5.50 mm [.197-.217 IN]	Ø2.20-3.40 mm [.087-.134 IN]		
TERMINAL APPLICATION SPECIFICATION	YPES-72-WT10-1433-1 Rev WA1916		
TERMINALS APPLIED			
TE TERMINAL	YAZAKI TERMINAL	TE TERMINAL	YAZAKI TERMINAL
1949106-1	7114-4121-02		

TERMINAL DATA: YAZAKI TERMINAL YAZAKI CRIMP SPECIFICATION			
TERMINAL NAME: 6.3mm YESC UNSEALED FEMALE TERMINAL			
WIRE STRIP LENGTH	INSULATION DIAMETER RANGE		
5.00-5.50 mm [.197-.217 IN]	Ø2.20-3.40 mm [.087-.134 IN]		
TERMINAL APPLICATION SPECIFICATION	YPES-72-WT10-1433-1 Rev WA1916		
TERMINALS APPLIED			
TE TERMINAL	YAZAKI TERMINAL	TE TERMINAL	YAZAKI TERMINAL
1949107-1	7116-4121-02		

WIRE SIZE	CRIMP HEIGHT mm [INCH]	CRIMP HEIGHT REFERENCE SETTING
2.50mm ²	1.85+/-0.05 [.073+/- .002]	7.5
2.00mm ²	1.75+/-0.05 [.069+/- .002]	7.5
2 x 0.85mm ²	1.65+/-0.05 [.065+/- .002]	9.1
1.50mm ²	1.65+/-0.05 [.065+/- .002]	9.1

WIRE SIZE	CRIMP HEIGHT mm [INCH]	CRIMP HEIGHT REFERENCE SETTING
2.50mm ²	1.85+/-0.05 [.073+/- .002]	7.5
2.00mm ²	1.75+/-0.05 [.069+/- .002]	7.5
2 x 0.85mm ²	1.65+/-0.05 [.065+/- .002]	9.1
1.50mm ²	1.65+/-0.05 [.065+/- .002]	9.1



- RECOMMENDED SPARE PARTS
- REFER TO SUPPLIED INSTRUCTION SHEET FOR CLEANING, LUBRICATION AND STORAGE OF APPLICATOR.
- APPLY PART NUMBER 2-23419-6 LOCTITE TO THREADS OF ITEM 242.
- CRIMP HEIGHT REFERENCE SETTING WAS THE SETTING USED WHEN THE APPLICATOR WAS QUALIFIED AT THE FACTORY. ADJUSTMENT MAY BE NECESSARY WHEN RUNNING APPLICATOR IN THE FIELD.
- UNLESS SPECIFIED OTHERWISE TORQUE VALUES SHALL BE USED PER DOCUMENT, 101-35000.
- TERMINAL PITCH NOT COMPATIBLE WITH MECHANICAL FEED.
- TERMINAL LUBRICANT IS RECOMMENDED.

***WARNING**
ON INSTALLATION, SET WIRE DISC TO CRIMP HEIGHT REFERENCE SETTING FOR LARGEST WIRE SIZE. CRIMP HEIGHT REFERENCE SETTINGS GREATER THAN THE VALUE SHOWN MAY CAUSE DAMAGE TO THE CRIMP TOOLING. REFER TO THE INSTRUCTION SHEET FOR PROPER SETUP AND ADJUSTMENTS.

LOC	DIST	REVISIONS					
A	66	P	LTN	DESCRIPTION	DATE	OWN	APVD
		D		ECR-19-009011	08JUN2019	TB	TE
		D1		ECR-20-000343	09JAN2020	MZ	GB
		E		ECR-21-004116	07APR2021	LG	RK
		F		ECR-23-164588	25JAN2023	JWC	GB

-	1	1	5-1803945-1	TONKER	300
-	1	1	4-22278-3	SPRING, COMPRESSION	299
-	2	2	4-18032-3	SCR, SET, FLT PNT, M3 X 6.0	298
-	1	1	1803944-1	SPACER, TONKER	297
-	1	1	2119641-1	FEED CAM, AIR FEED	248
-	1	1	2119082-4	CAM, SNAIL, INSULATION ADJUSTMENT	244
-	1	1	2079764-1	WASHER, WAVE SPRING, CREST-TO-CREST	243
-	1	1	2119083-1	RETAINER, INSULATION DIAL	242
-	1	1	7-18023-7	SCR, SKT HD CAP M3 X 4.0	241
-	1	1	2844940-1	AIR FEED MODULE	238
-	REF	REF	994970-2	COUNTER, MAGNETIC	164
-	1	1	2119955-1	ASSY, LUBRICATOR, SIDE FEED	113
-	1	1	2844908-1	SCREW, LOCKING	99
-	1	1	2844907-1	POST, LOCKING	98
-	1	1	318563-1	GUARD, FRONT CHIP	89
-	1	1	455888-7	SPACER, CRIMPER	82
-	2	2	2079383-4	SCR, BHSC, RoHS (M4 X 8)	79
-	1	1	1803096-1	EXTENSION PLATE	78
-	1	1	1803607-3	DOCUMENTATION PACKAGE	71
-	1	1	2119791-5	DEPRESSOR, WIRE	70
-	1	1	2119740-1	TAG IDENTIFICATION	67
-	2	2	2168078-1	SCREW, DRIVE, RH, RoHS, 2 x .188	66
-	1	1	2168083-2	SCR, SKT HD CAP, RoHS, M4 X 8.0	60
-	1	1	5-18022-5	SCR, HEX HD CAP, M4 X 6.0	59
-	1	1	1338683-8	FEED PAWL	56
-	4	4	2168083-3	SCR, SKT HD CAP, RoHS, M4 X 12.0	54
-	2	2	2-2168083-5	SCR, SKT HD CAP, RoHS, M4 X 14	53
-	1	1	18023-9	SCR, SKT HD CAP M4 X 6.0	49
-	1	1	1803583-9	APPLICATOR BASIC ASSEMBLY, SF	46
-	1	1	1803515-1	RAM ASSEMBLY, SF ATLANTIC	44
-	1	1	1803602-1	SCR, BHSC, RoHS (M8 X 25)	41
-	1	1	1752356-1	SUPPORT, TERMINAL	34
-	2	2	2079383-5	SCR, BHSC, RoHS (M4 X 20)	33
-	2	2	2-2844962-0	SPACER, CYLINDRICAL, STRIP GUIDE	30
-	1	1	2844992-2	ASSEMBLY, STRIP GUIDE	29
-	1	1	455888-3	SPACER, CRIMPER	28
-	1	1	1320928-4	STRIP GUIDE	24
-	1	1	2168083-2	SCR, SKT HD CAP, RoHS, M4 X 8.0	21
-	1	1	1-18028-2	WASHER, FLAT, REG M4	20
-	1	1	2119533-1	STRIPPER, SIDE FEED	19
-	1	1	2119806-1	INSERT, SHEAR	13
-	1	1	3-22280-3	SPRING, COMPRESSION	12
-	1	1	1-356885-4	STOP, SHEAR	11
-	1	1	2119805-1	SHEAR HOLDER, FRONT	10
-	1	1	454276-5	FLOATING SHEAR, FRONT	9
-	1	2	1-1803056-8	ANVIL, COMBINATION	8
-	1	1	240641-5	SPACER	7
-	-	-	-	-	6
-	1	1	2119757-8	DEPRESSOR, SHEAR	5
-	1	1	238011-4	BLOCK, CRIMPER SPACER	4
-	1	2	2-1633963-6	CRIMPER, INSULATION OVERLAP PREMIUM	3
-	1	1	455888-6	SPACER, CRIMPER	2
-	1	2	1633609-3	CRIMPER, WIRE	1

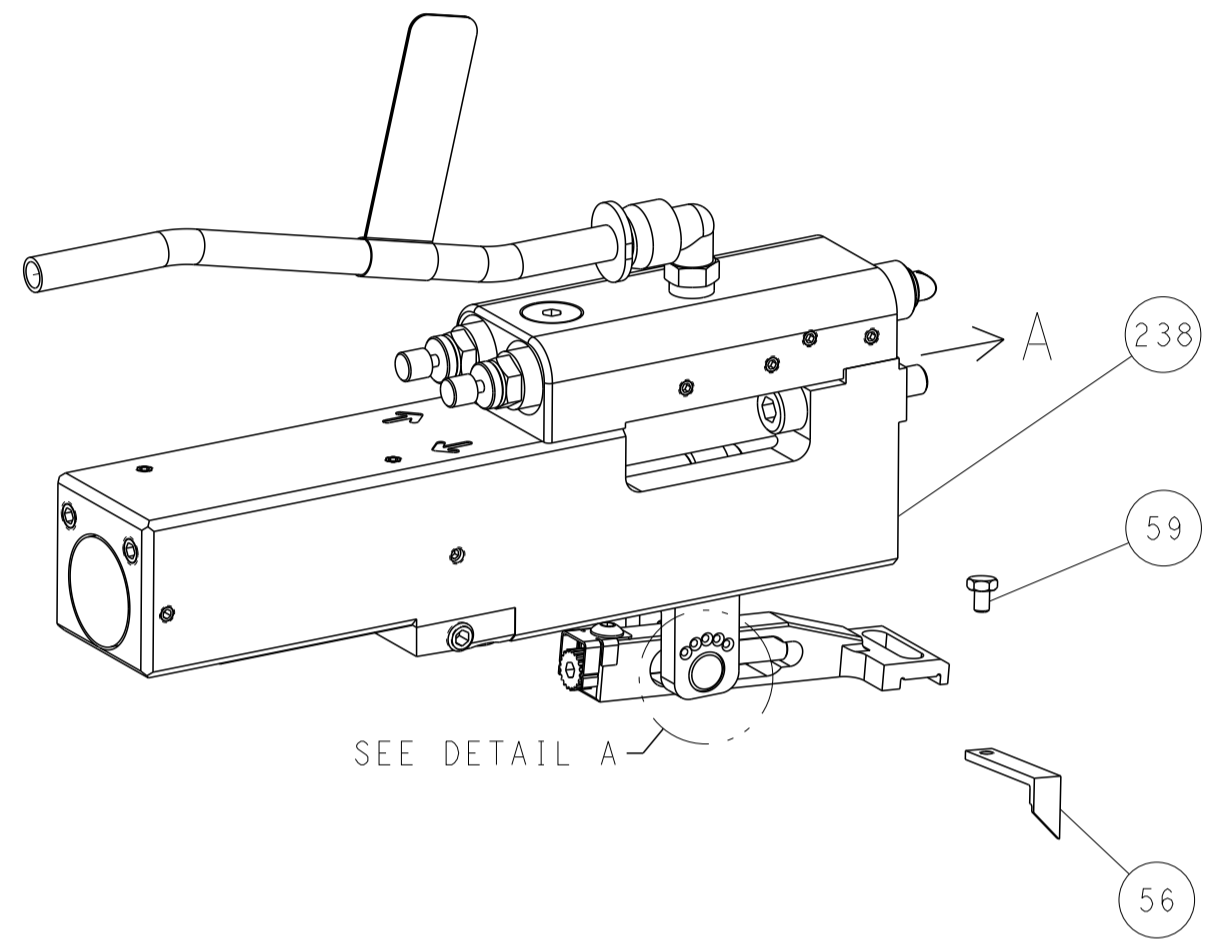
ATLANTIC VERSION
Shown on sheets 1 of 4 & 2 of 4
(Pacific version shown on sheets 3 of 4 & 4 of 4)

DIMENSIONS:		TOLERANCES UNLESS OTHERWISE SPECIFIED:		MATERIAL:		FINISH:		WEIGHT:		SCALE:		SHEET:		REV:	
mm	0 PLC ±	1 PLC ±	2 PLC ±	3 PLC ±	4 PLC ±	ANGLES	FINISH	WT	SCALE	SHEET	OF	REV	NO	NO	NO
-		-		-		-		-		1:2		1 OF 4		F	

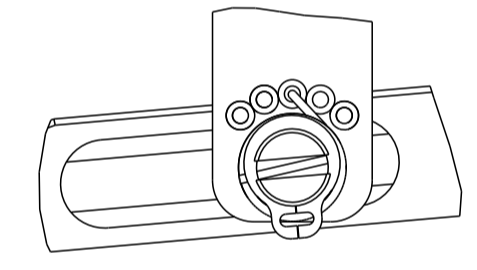
LOC	DIST	REVISIONS					
		P	LTN	DESCRIPTION	DATE	OWN	APVD
A	66	-	-	SEE SHEET 1	-	-	-

FEED TYPE

PNEUMATIC

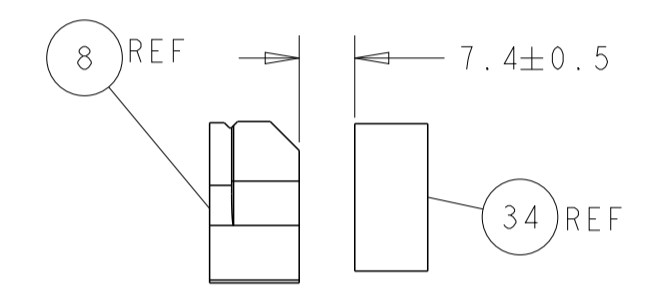
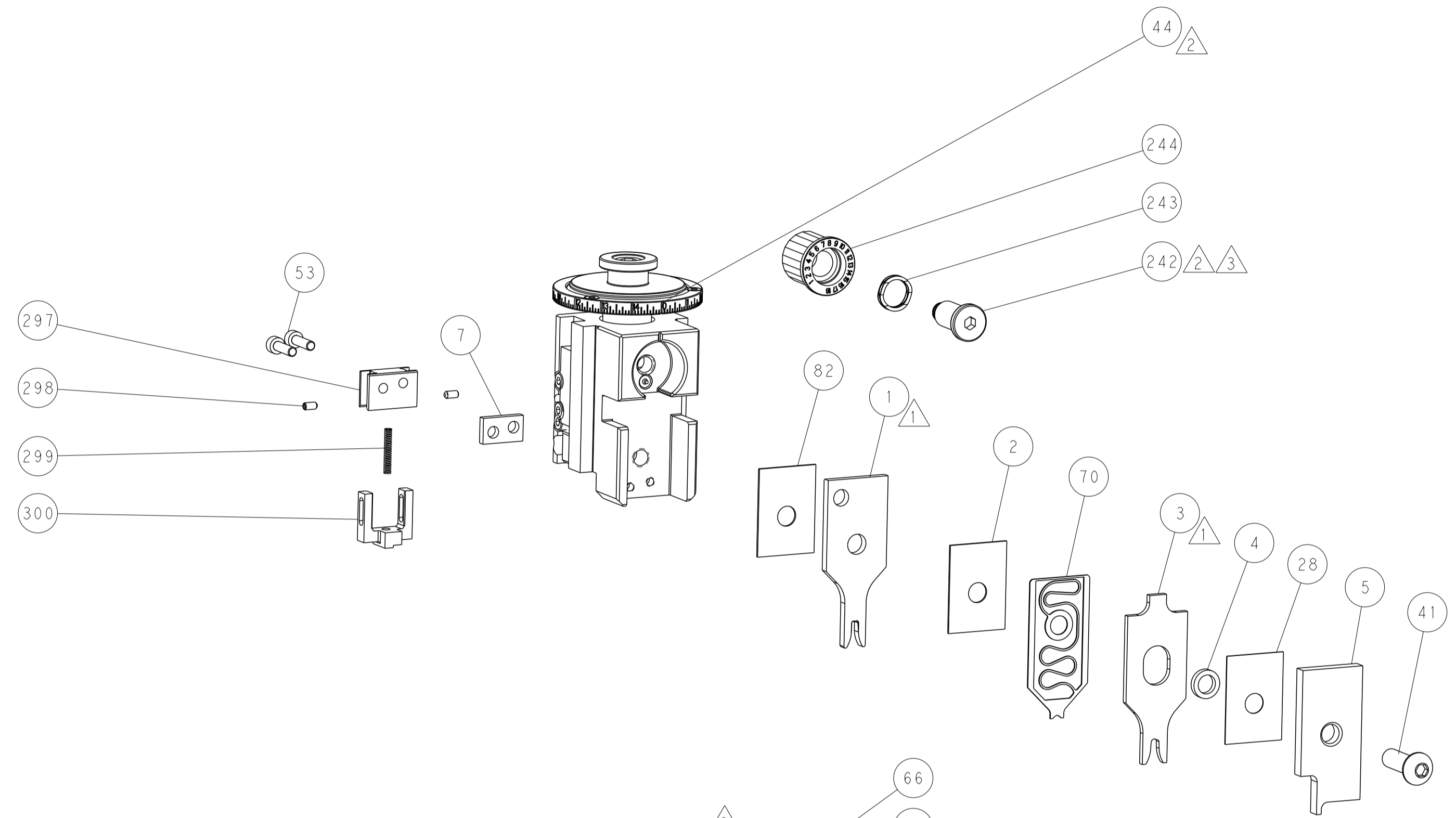
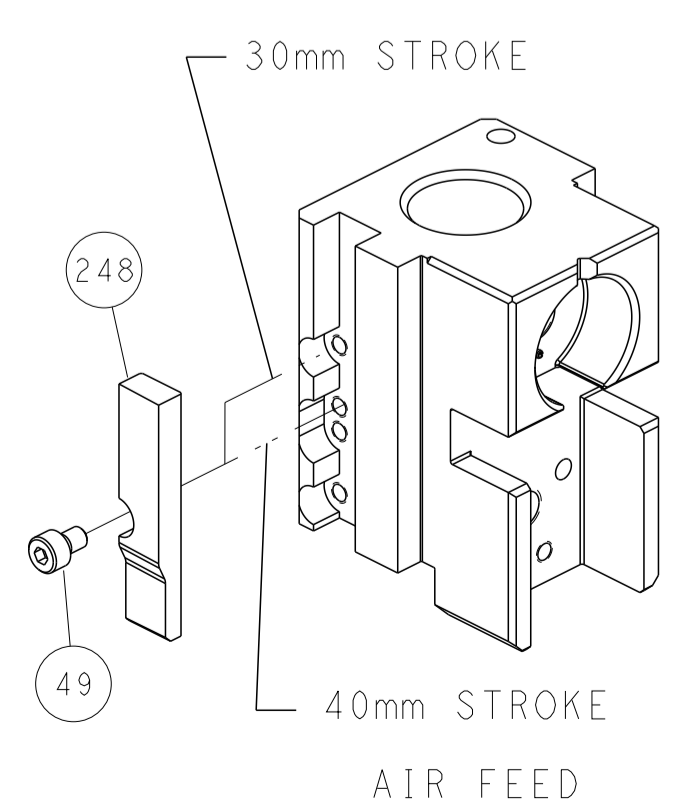


FEED SPRING SETTING POSITION (SHOWN FROM REAR SIDE)

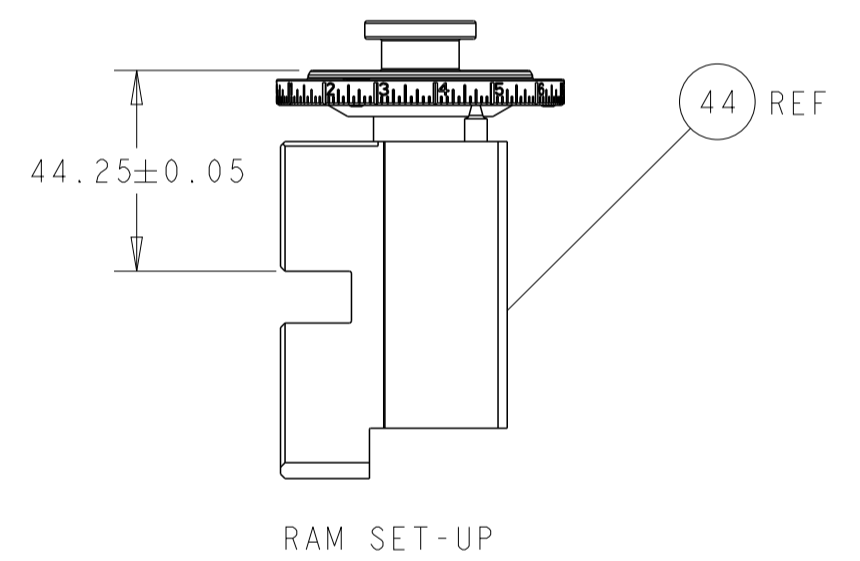


DETAIL A

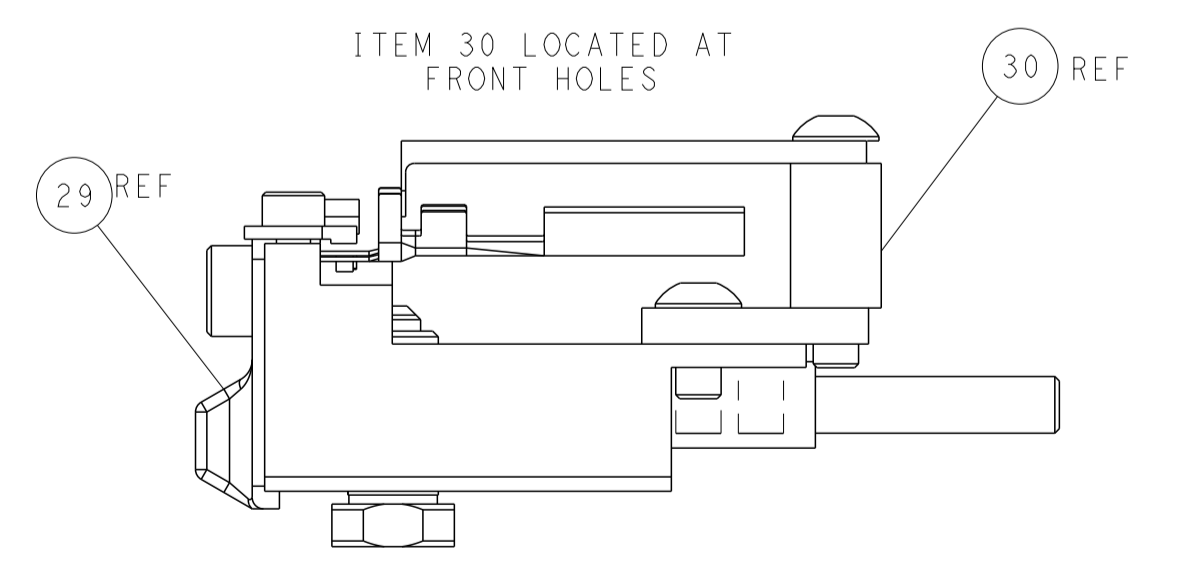
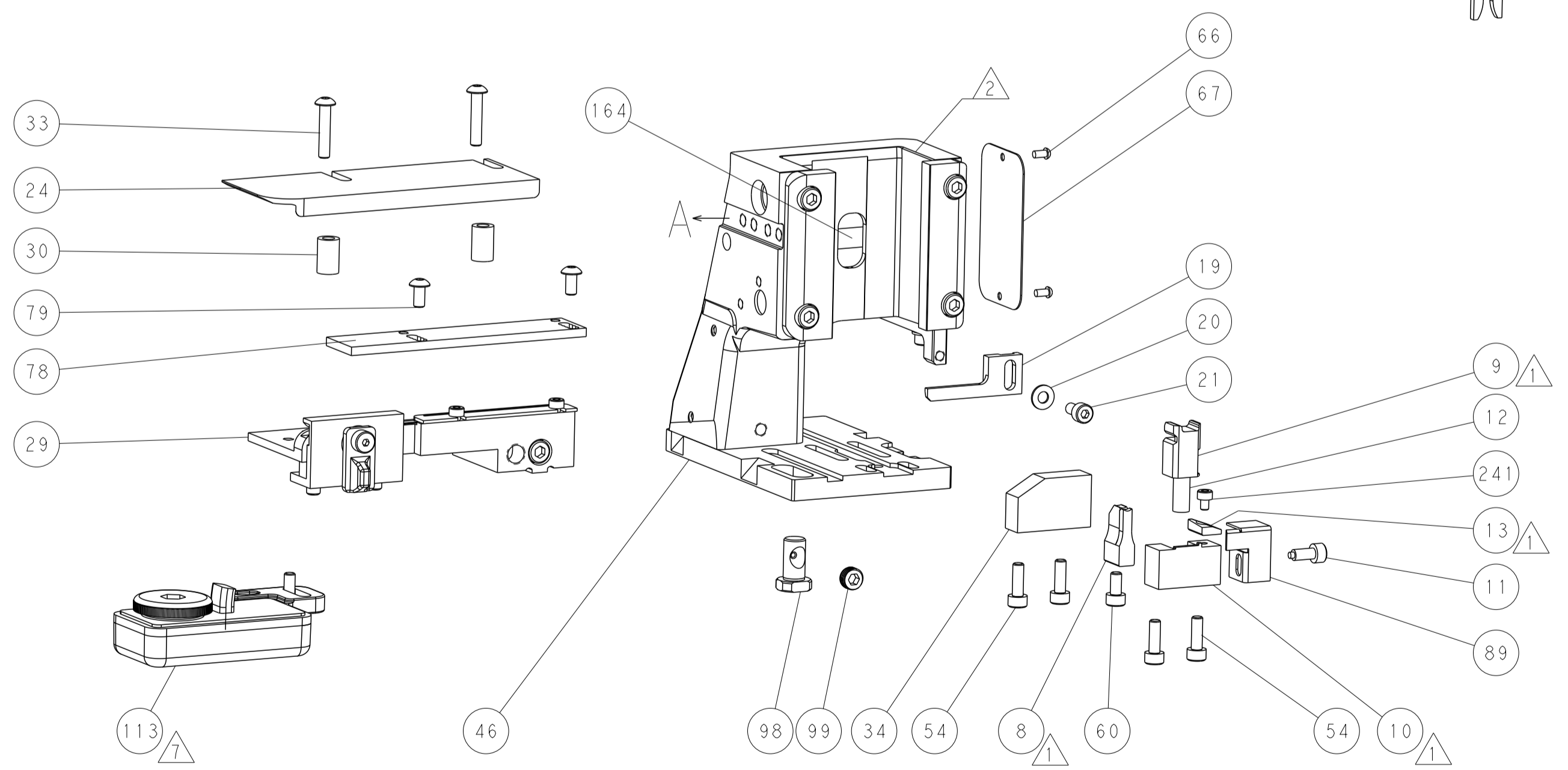
CAM POSITION



TERMINAL SUPPORT LOCATION



RAM SET-UP



FEED TRACK POSITION GUIDE BY INSULATION BARREL

ATLANTIC VERSION
 Shown on sheets 1 of 4 & 2 of 4
 (Pacific version shown on sheets 3 of 4 & 4 of 4)

DIMENSIONS:		TOLERANCES UNLESS OTHERWISE SPECIFIED:		DWG: BOB HIGMAN 13AUG2014		TE Connectivity	
mm	0 PLC	±		CHK: G. BAILEY 13AUG2014	Harrisburg, PA 17105-3608		
	1 PLC	±		APVD: G. BAILEY 13AUG2014	NAME: Ocean Side Feed		
	2 PLC	±		PRODUCT SPEC	Applicator		
	3 PLC	±		APPLICATION SPEC	SIZE: A1		
	4 PLC	±		WEIGHT	CAGE CODE: 00779		
	ANGLES	±		SCALE: 1:2	DRAWING NO: 2151403		
	FINISH	±		SHEET: 2 OF 4	REV: F		
MATERIAL:				Customer Accessible Production Drawing			

THIS DRAWING IS UNPUBLISHED.	RELEASED FOR PUBLICATION		
COPYRIGHT 20 BY TYCO ELECTRONICS CORPORATION. ALL RIGHTS RESERVED.			
PART NUMBER	REVISION	DESCRIPTION	FEED TYPE
2-2151403-2	F	FINE CRIMP HEIGHT ADJUST	PNEUMATIC
7-2151403-7	F	CRIMP TOOLING KIT	-

PACIFIC VERSION TERMINATOR
INTERFACE ADAPTER



APPLICATOR DATA		
CRIMP	SIZE	TYPE
WIRE	3.00 mm [.118]	F
INSUL	3.75 mm [.148]	OV
APPLICATOR INSTRUCTIONS 408-35042		

TERMINAL DATA: YAZAKI TERMINAL YAZAKI CRIMP SPECIFICATION			
TERMINAL NAME: 6.3mm YESC UNSEALED MALE TERMINAL			
WIRE STRIP LENGTH		INSULATION DIAMETER RANGE	
5.00-5.50 mm [.197-.217 IN]		∅2.20-3.40 mm [.087-.134 IN]	
TERMINAL APPLICATION SPECIFICATION	YPES-72-WT10-1433-1 Rev WA1916	-	-
TERMINALS APPLIED			
TE TERMINAL	YAZAKI TERMINAL	TE TERMINAL	YAZAKI TERMINAL
1949106-1	7114-4121-02	-	-

TERMINAL DATA: YAZAKI TERMINAL YAZAKI CRIMP SPECIFICATION			
TERMINAL NAME: 6.3mm YESC UNSEALED FEMALE TERMINAL			
WIRE STRIP LENGTH		INSULATION DIAMETER RANGE	
5.00-5.50 mm [.197-.217 IN]		∅2.20-3.40 mm [.087-.134 IN]	
TERMINAL APPLICATION SPECIFICATION	YPES-72-WT10-1433-1 Rev WA1916	-	-
TERMINALS APPLIED			
TE TERMINAL	YAZAKI TERMINAL	TE TERMINAL	YAZAKI TERMINAL
1949107-1	7116-4121-02	-	-

WIRE SIZE	CRIMP HEIGHT mm [INCH]	CRIMP HEIGHT REFERENCE SETTING
2.50mm ²	1.85+/-0.05 [.073+/- .002]	7.5
2.00mm ²	1.75+/-0.05 [.069+/- .002]	7.5
2 x 0.85mm ²	1.65+/-0.05 [.065+/- .002]	9.5
1.50mm ²	1.65+/-0.05 [.065+/- .002]	9.1

WIRE SIZE	CRIMP HEIGHT mm [INCH]	CRIMP HEIGHT REFERENCE SETTING
2.50mm ²	1.85+/-0.05 [.073+/- .002]	7.5
2.00mm ²	1.75+/-0.05 [.069+/- .002]	7.5
2 x 0.85mm ²	1.65+/-0.05 [.065+/- .002]	9.1
1.50mm ²	1.65+/-0.05 [.065+/- .002]	9.1

- RECOMMENDED SPARE PARTS
- REFER TO SUPPLIED INSTRUCTION SHEET FOR CLEANING, LUBRICATION AND STORAGE OF APPLICATOR.
- APPLY PART NUMBER 2-23419-6 LOCTITE TO THREADS OF ITEM 242.
- CRIMP HEIGHT REFERENCE SETTING WAS THE SETTING USED WHEN THE APPLICATOR WAS QUALIFIED AT THE FACTORY. ADJUSTMENT MAY BE NECESSARY WHEN RUNNING APPLICATOR IN THE FIELD.
- 5. UNLESS SPECIFIED OTHERWISE TORQUE VALUES SHALL BE USED PER DOCUMENT, 101-35000.
- TERMINAL PITCH NOT COMPATIBLE WITH MECHANICAL FEED.
- TERMINAL LUBRICANT IS RECOMMENDED.

***WARNING**
ON INSTALLATION, SET WIRE DISC TO CRIMP HEIGHT REFERENCE SETTING FOR LARGEST WIRE SIZE. CRIMP HEIGHT REFERENCE SETTINGS GREATER THAN THE VALUE SHOWN MAY CAUSE DAMAGE TO THE CRIMP TOOLING. REFER TO THE INSTRUCTION SHEET FOR PROPER SETUP AND ADJUSTMENTS.

PACIFIC VERSION
Shown on sheets 3 of 4 & 4 of 4
(Atlantic version shown on sheets 1 of 4 & 2 of 4)

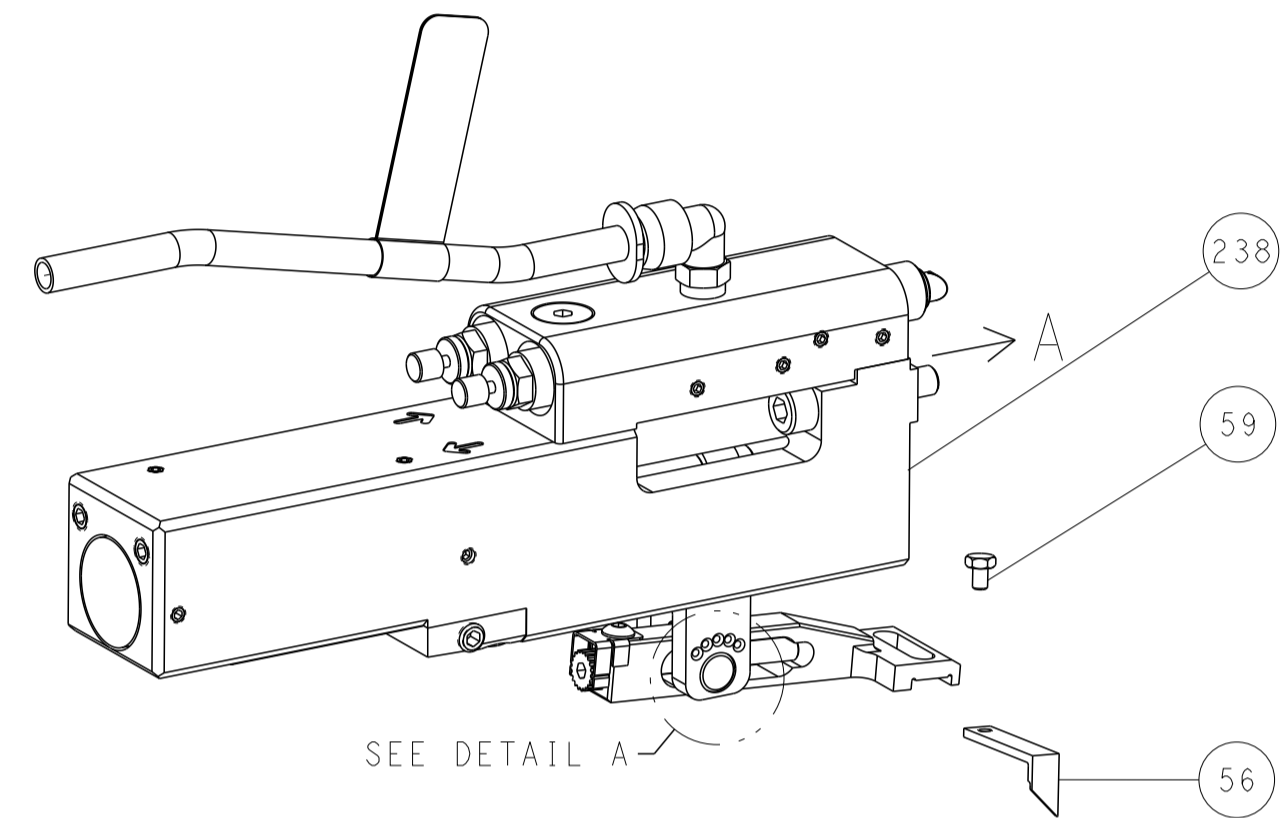
LOC	DIST	REV	DATE	BY	APPV
A	66	-	-	-	-

REV	DATE	BY	APPV	DESCRIPTION	ITEM NO
-	1	5-1803945-1		TONKER	300
-	1	4-22278-3		SPRING, COMPRESSION	299
-	2	4-18032-3		SCR, SET, FLT PNT, M3 X 6.0	298
-	1	1803944-1		SPACER, TONKER	297
-	1	2119082-4		CAM, SNAIL, INSULATION ADJUSTMENT	244
-	1	2079764-1		WASHER, WAVE SPRING, CREST-TO-CREST	243
-	1	2119083-1		RETAINER, INSULATION DIAL	242
-	1	7-18023-7		SCR, SKT HD CAP M3 X 4.0	241
-	1	2844940-1		AIR FEED MODULE	238
-	REF	994970-2		COUNTER, MAGNETIC	164
-	1	2119641-2		FEED CAM, AIR FEED	151
-	1	2168083-8		SCR, SKT HD CAP, RoHS, M4 X 16	144
-	4	2168083-9		SCR, SKT HD CAP, RoHS, M4 X 20	143
-	1	1-1803583-0		APPLICATOR BASIC ASSEMBLY, SF	141
-	1	1803516-1		RAM ASSEMBLY, SF PACIFIC	140
-	1	2119955-1		ASSY, LUBRICATOR, SIDE FEED	113
-	1	2844908-1		SCREW, LOCKING	99
-	1	2844907-1		POST, LOCKING	98
-	1	318563-1		GUARD, FRONT CHIP	89
-	1	455888-7		SPACER, CRIMPER	82
-	2	2079383-4		SCR, BHSC, RoHS (M4 X 8)	79
-	1	1803096-1		EXTENSION PLATE	78
-	1	1803607-3		DOCUMENTATION PACKAGE	71
-	1	2119791-5		DEPRESSOR, WIRE	70
-	1	2119740-1		TAG, IDENTIFICATION	67
-	2	2168078-1		SCREW, DRIVE, RH, RoHS, 2 x .188	66
-	1	5-18022-5		SCR, HEX HD CAP, M4 X 6.0	59
-	1	1338683-8		FEED PAWL	56
-	2	2-2168083-5		SCR, SKT HD CAP, RoHS, M4 X 14	53
-	1	18023-9		SCR, SKT HD CAP M4 X 6.0	49
-	1	1803602-1		SCR, BHSC, RoHS (M8 X 25)	41
-	1	1752356-1		SUPPORT, TERMINAL	34
-	2	2079383-5		SCR, BHSC, RoHS (M4 X 20)	33
-	2	2-2844962-0		SPACER, CYLINDRICAL, STRIP GUIDE	30
-	1	2844992-2		ASSEMBLY, STRIP GUIDE	29
-	1	455888-3		SPACER, CRIMPER	28
-	1	1320928-4		STRIP GUIDE	24
-	1	2168083-2		SCR, SKT HD CAP, RoHS, M4 X 8.0	21
-	1	1-18028-2		WASHER, FLAT, REG M4	20
-	1	2119533-1		STRIPPER, SIDE FEED	19
-	1	2119806-1		INSERT, SHEAR	13
-	1	3-22280-3		SPRING, COMPRESSION	12
-	1	1-356885-4		STOP, SHEAR	11
-	1	2119805-1		SHEAR HOLDER, FRONT	10
-	1	454276-5		FLOATING SHEAR, FRONT	9
-	1	1-1803056-8		ANVIL, COMBINATION	8
-	1	240641-5		SPACER	7
-	-	-		-	6
-	1	2119757-8		DEPRESSOR, SHEAR	5
-	1	238011-4		BLOCK, CRIMPER SPACER	4
-	1	2-1633963-6		CRIMPER, INSULATION OVERLAP PREMIUM	3
-	1	455888-6		SPACER, CRIMPER	2
-	1	1633609-3		CRIMPER, WIRE	1
-	77	22		PART NO	

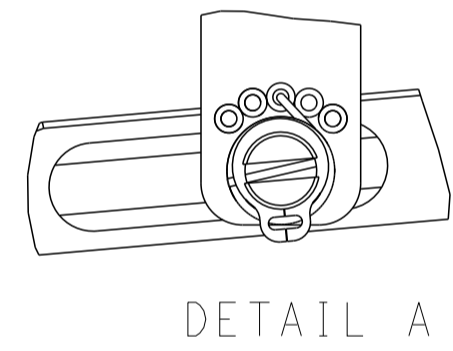
<small>THIS DRAWING IS UNPUBLISHED. IT IS THE PROPERTY OF TYCO ELECTRONICS CORPORATION. IT IS TO BE USED ONLY FOR THE PURPOSES SPECIFIED HEREIN. IT IS TO BE RETURNED TO TYCO ELECTRONICS CORPORATION UPON REQUEST. IT IS TO BE DESTROYED UPON THE EXPIRATION OF THE PATENT RIGHTS. IT IS TO BE KEPT IN CONFIDENTIALITY AND NOT TO BE DISCLOSED TO ANY OTHER PARTY WITHOUT THE WRITTEN PERMISSION OF TYCO ELECTRONICS CORPORATION.</small>		DWN BOB HIGMAN 13AUG2014 CHK G. BAILEY 13AUG2014 APPV G. BAILEY 13AUG2014	TE Connectivity Harrisburg, PA 17105-3608
DIMENSIONS: mm 		TOLERANCES UNLESS OTHERWISE SPECIFIED: 0 PLC ± 1 PLC ± 2 PLC ± 3 PLC ± 4 PLC ± ANGLES ± FINISH ±	NAME Ocean Side Feed Applicator SIZE CAGE CODE DRAWING NO RESTRICTED TO A1 00779 C=2151403 SCALE 1:2 SHEET 3 OF 4 REV F
MATERIAL:		APPLICATION SPEC:	WEIGHT:

LOC	DIST	REVISIONS					
A	66	P	LTN	DESCRIPTION	DATE	OWN	APVD
		-		SEE SHEET 1			

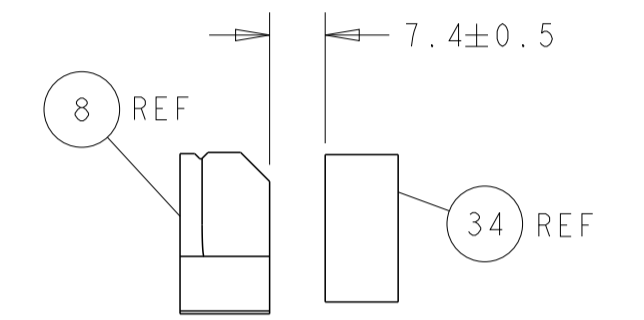
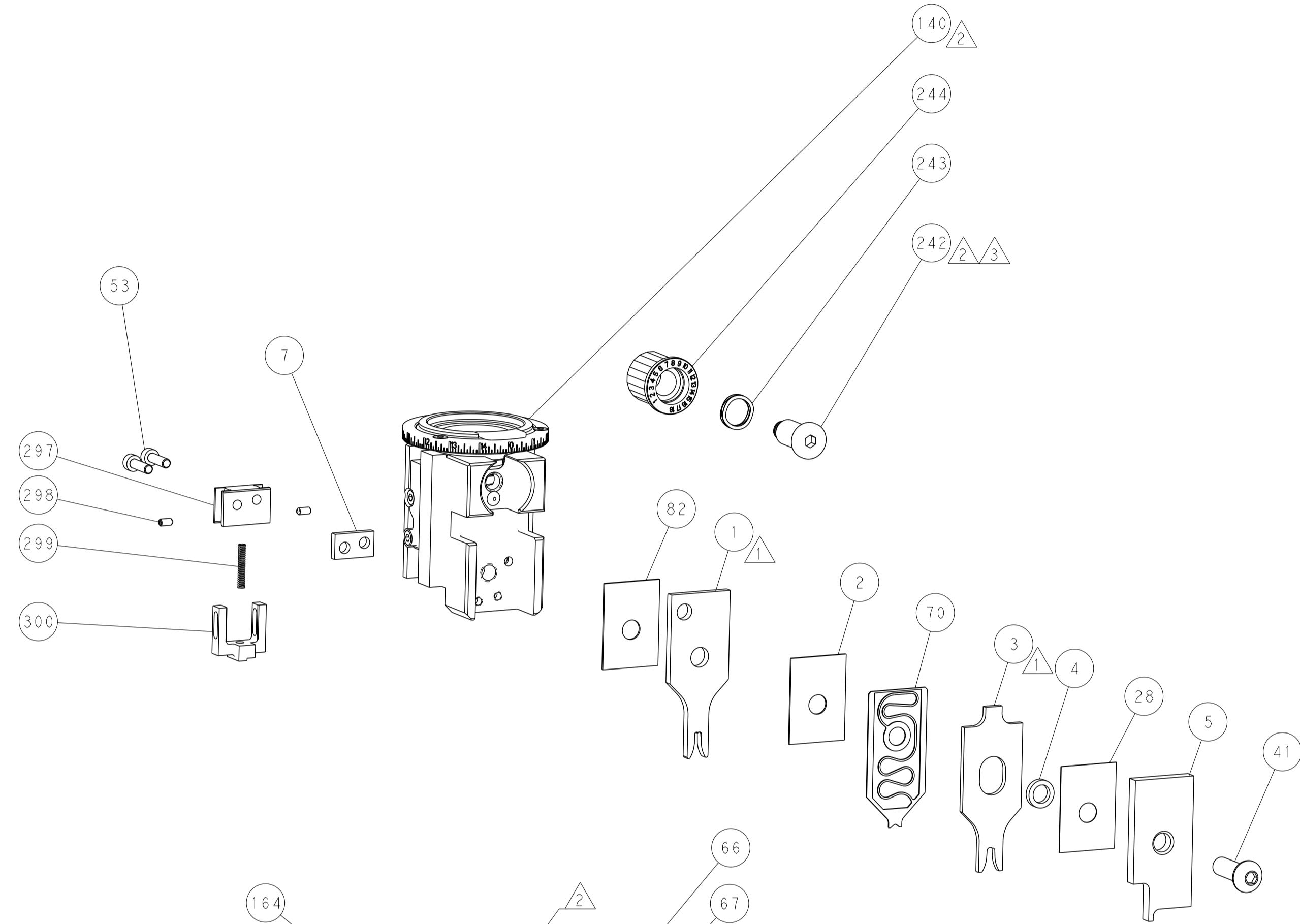
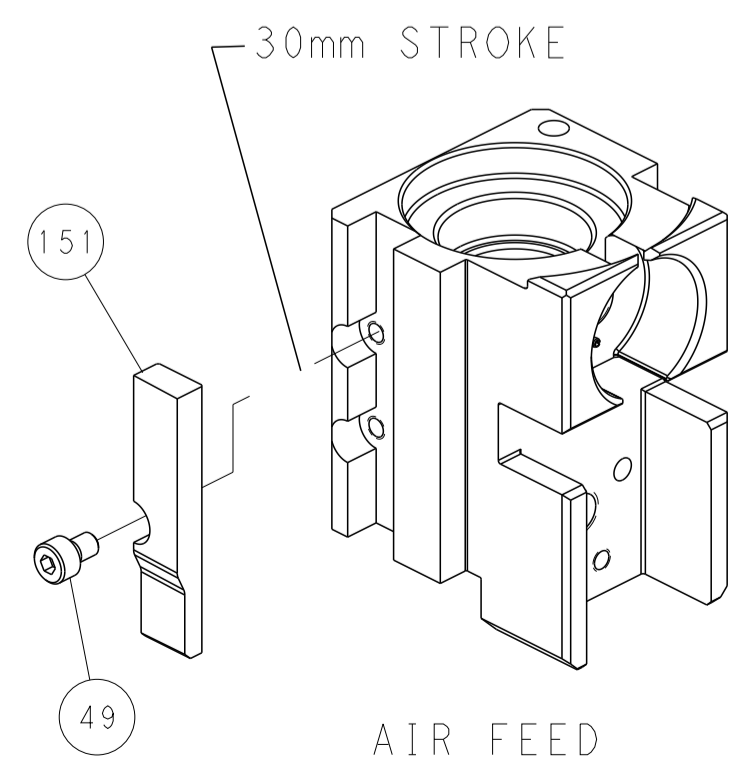
FEED TYPE PNEUMATIC



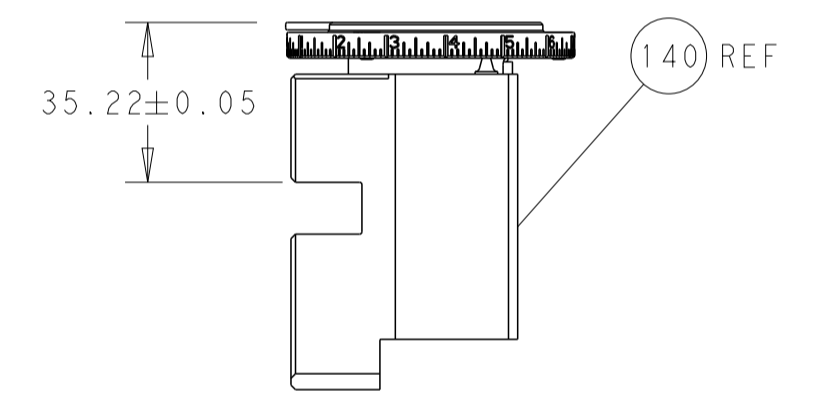
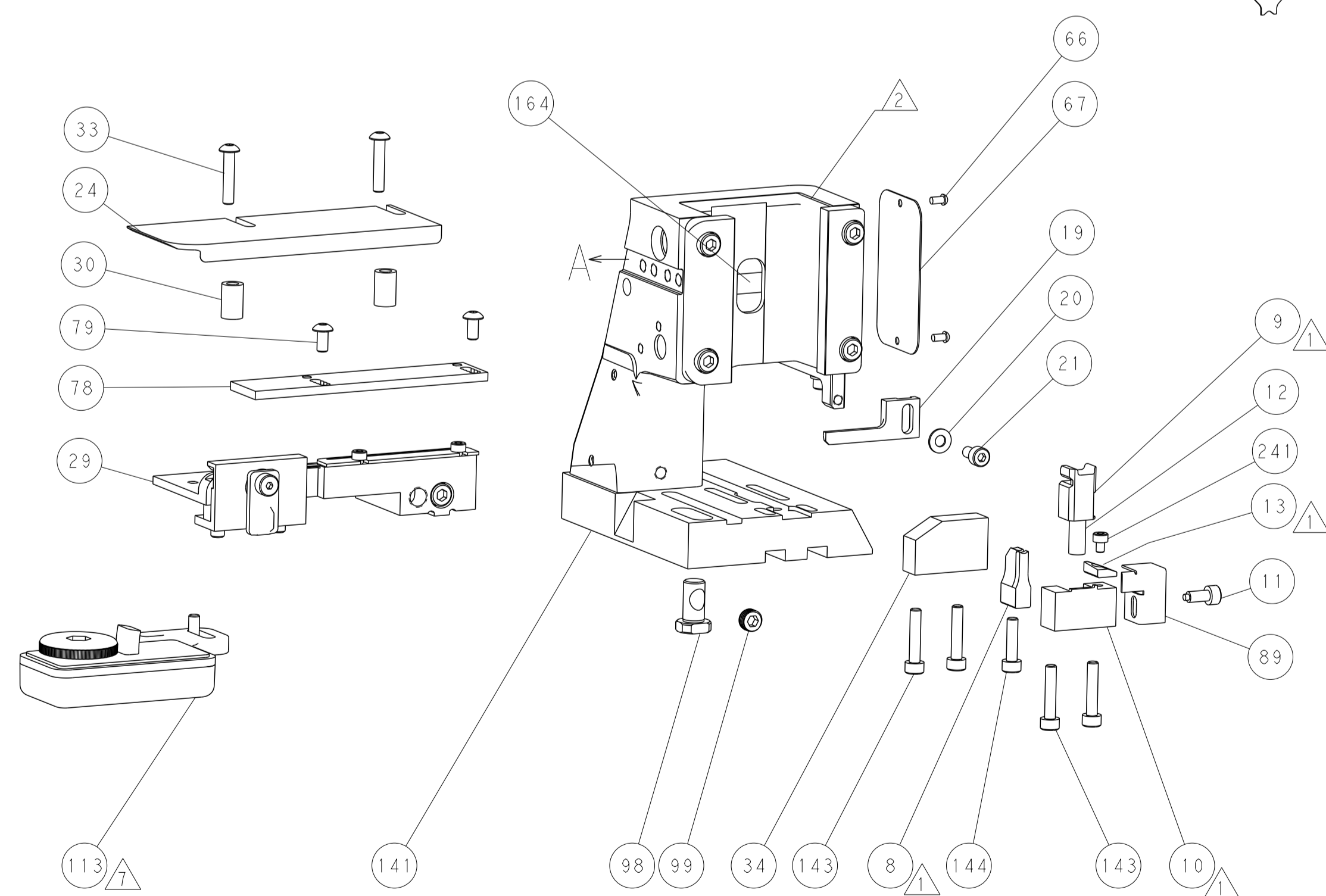
FEED SPRING SETTING POSITION (SHOWN FROM REAR SIDE)



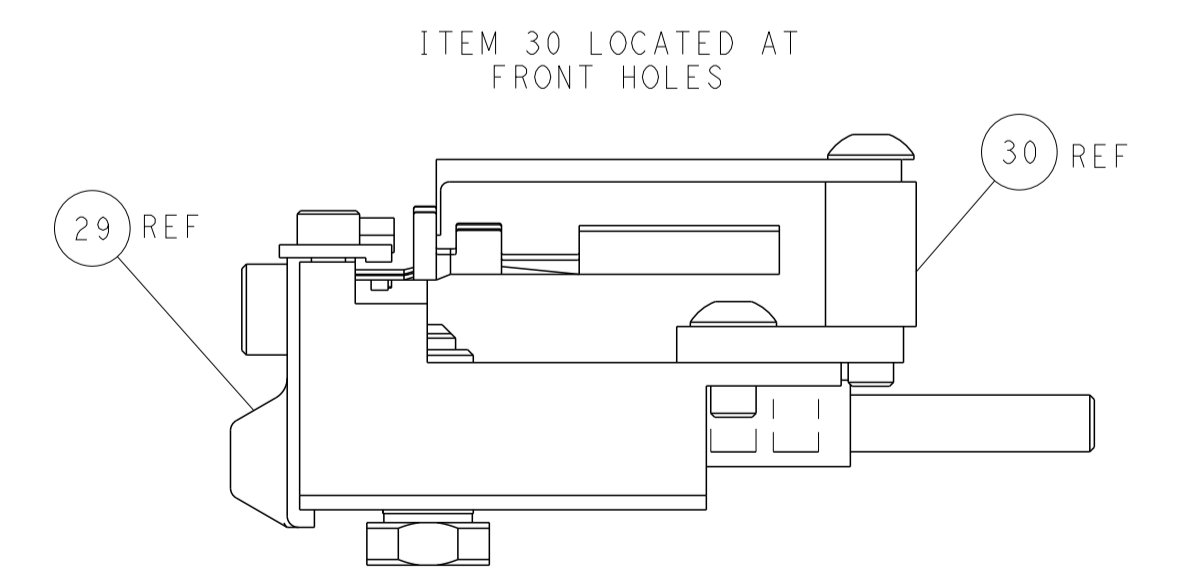
CAM POSITION



TERMINAL SUPPORT LOCATION



RAM SET-UP



FEED TRACK POSITION GUIDE BY INSULATION BARREL

PACIFIC VERSION
 Shown on sheets 3 of 4 & 4 of 4
 (Atlantic version shown on sheets 1 of 4 & 2 of 4)

<small>THIS DRAWING IS UNPUBLISHED. RELEASED FOR PUBLICATION. IT IS THE PROPERTY OF TYCO ELECTRONICS CORPORATION. IT IS TO BE USED ONLY FOR THE PURPOSES AND IN THE MANNER SPECIFIED BY THE USER. IT IS NOT TO BE REPRODUCED OR TRANSMITTED IN ANY FORM OR BY ANY MEANS, ELECTRONIC OR MECHANICAL, INCLUDING PHOTOCOPYING, RECORDING, OR BY ANY INFORMATION STORAGE AND RETRIEVAL SYSTEM, WITHOUT THE WRITTEN PERMISSION OF TYCO ELECTRONICS CORPORATION.</small>		DWN BOB HIGMAN 13AUG2014 CHK G. BAILEY 13AUG2014 APVD G. BAILEY 13AUG2014	TE Connectivity Harrisburg, PA 17105-3608
DIMENSIONS: mm TOLERANCES UNLESS OTHERWISE SPECIFIED: 0 PLC ± 1 PLC ± 2 PLC ± 3 PLC ± 4 PLC ± ANGLES ± FINISH		NAME Ocean Side Feed Applicator APPLICATION SPEC PRODUCT SPEC SIZE CAGE CODE DRAWING NO. A1 00779 ©=2151403 RESTRICTED TO	WEIGHT SCALE 1:2 SHEET 4 OF 4 REV F