

PART NUMBER	DIMENSION "A"	DIMENSION "B"	DIMENSION "C"	DIMENSION "D"
551-0207-003F	.095(2.41)	.016 X .018 [0.41 X 0.46]	.118±.010(3±.25)	.040(1.02)
551-0307-003F	.095(2.41)	.016 X .018 [0.41 X 0.46]	.118±.010(3±.25)	.040(1.02)
551-0407-003F	.095(2.41)	.016 X .018 [0.41 X 0.46]	.118±.010(3±.25)	.040(1.02)
551-1107-003F	.095(2.41)	.018(.46)	.115±.010(2.92±.25)	.040(1.02)
551-1207-003F	.095(2.41)	.018(.46)	.115±.010(2.92±.25)	.040(1.02)
551-1307-003F	.095(2.41)	.018(.46)	.115±.010(2.92±.25)	.040(1.02)

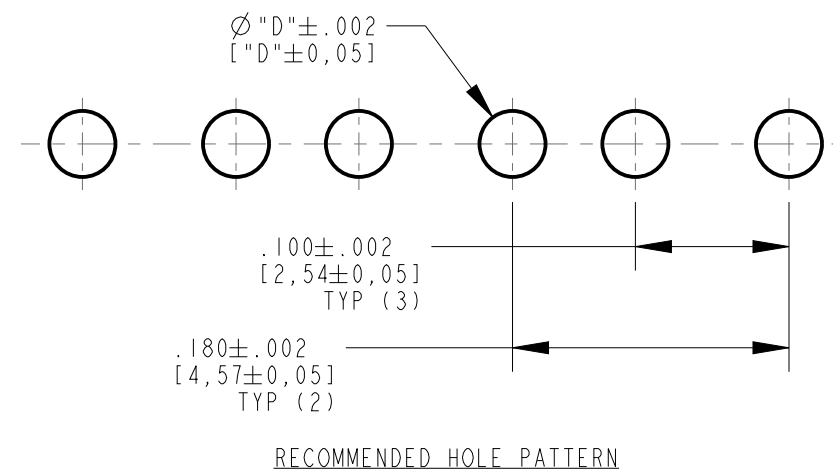
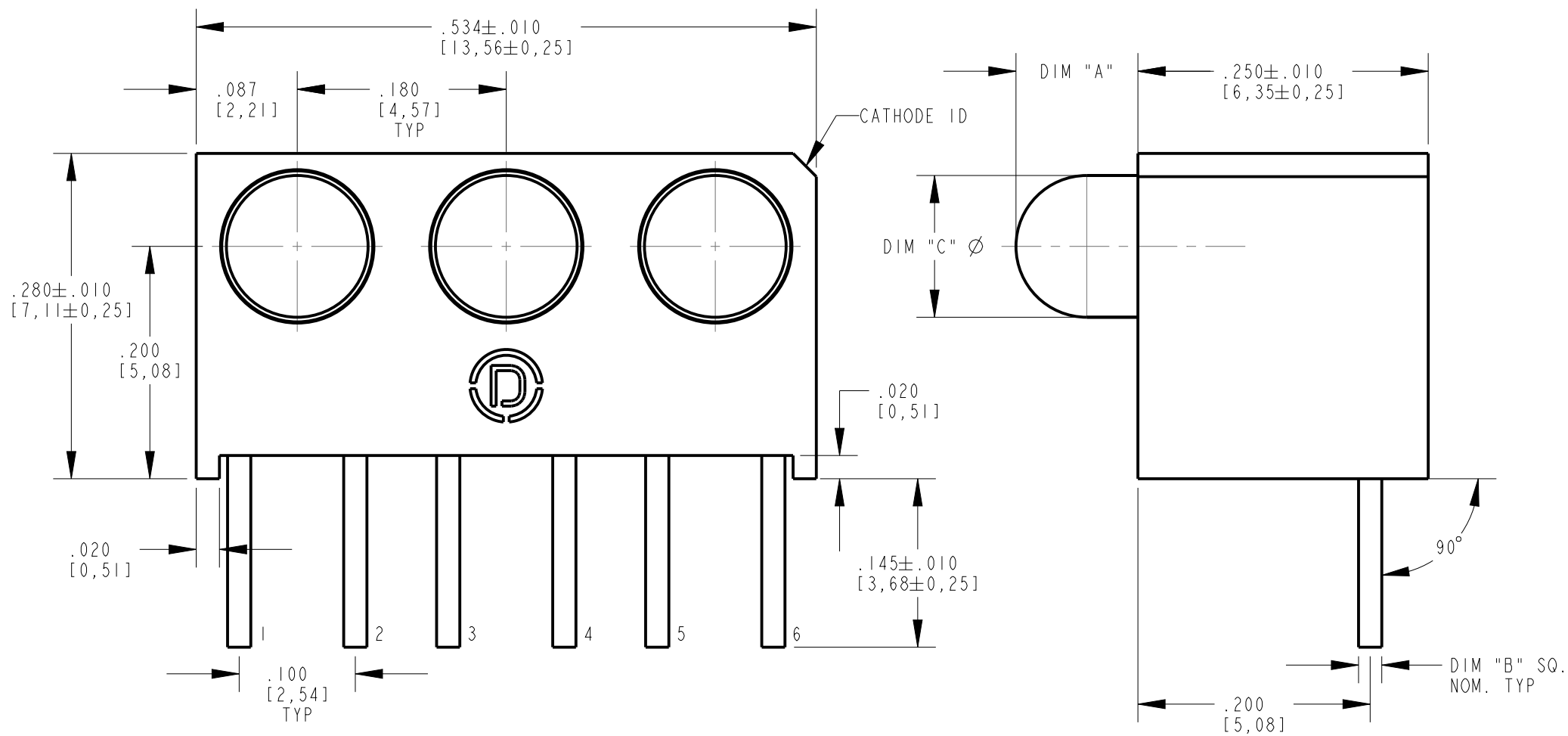
RoHS COMPLIANT 551-XX07-003F

Part Numbers with the "F" suffix ending are RoHS Compliant.
 For example: 551-0207-003F
 Packaging is marked with "RoHS Compliant" label or equivalent markings. Parts can be wave soldered, dip soldered or hand soldered using typical lead-free soldering process with max 260°C temp. for 5 sec.

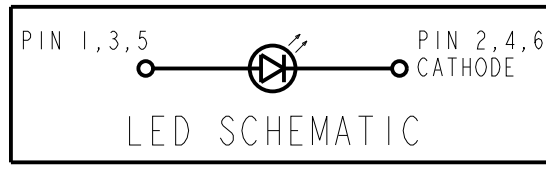
REV	ECN NO	REVISIONS	DRN	CKD	APP	DATE
A	—	NEW RELEASE	AJF	KLJ	NO	12-17-09
B	—	UPDATED DIM A,B,C & D FOR P/N'S 551-0207/0307/0407-003F. ALSO UPDATED LED SPECS	BP	—	NO	8-22-16

NOTES:

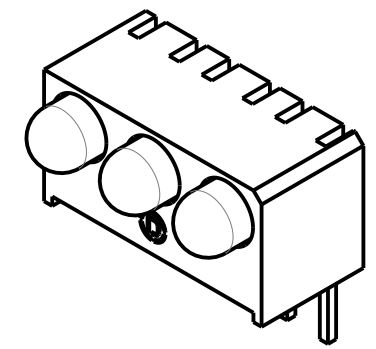
- LED LEAD DIMENSIONS SHOWN ARE MEASURED AT HOUSING EXIT.
- LEADS TO FIT INTO HOLES SPACED AS PER PATTERN.
- PIN NUMBERS FOR REFERENCE ONLY, DESIGNATION NON-EXISTENT ON PART.
- DIALIGHT PART NUMBERS: 551-XX07-003F.
- THIS ASSEMBLY CONTAINS ELECTROSTATIC DISCHARGE SENSITIVE DEVICES (ESDS). MAINTAIN ALL PRECAUTIONARY MEASURES DURING ASSEMBLY, HANDLING, AND STORAGE IN ACCORDANCE WITH IPC-A-610.



DIALIGHT PART NUMBER	LED COLOR	OPERATING CHARACTERISTICS AT 25°C AMBIENT							
		LUMINOUS INTENSITY (mcd)		FORWARD VOLTAGE (V)		REVERSE CURRENT (μA)	PEAK WAVELENGTH (nm)	VIEWING ANGLE (°)	TEST CONDITIONS
		MIN	TYP	TYP	MAX	MAX	TYP		
551-0207-003F	GREEN DIFF.	5.6	12.6	2.1	2.6	100 @ V _R =5V	565	60	I _F =10mA
551-0307-003F	YELLOW DIFF.	3.7	8.7	2.1	2.6	100 @ V _R =5V	585	60	I _F =10mA
551-0407-003F	RED DIFF.	2.5	8.7	2.0	2.6	100 @ V _R =5V	635	60	I _F =10mA
551-1107-003F	RED DIFF.	1.0	1.6	1.7	2.2	10 @ V _R =5V	635	60	I _F =2mA
551-1207-003F	YELLOW DIFF.	2.3	5.0	1.8	2.4	100 @ V _R =5V	591	60	I _F =2mA
551-1307-003F	GREEN DIFF.	1.0	1.6	1.9	2.2	10 @ V _R =5V	565	60	I _F =2mA



ATTENTION:
OBSERVE PRECAUTIONS FOR HANDLING ELECTROSTATIC SENSITIVE DEVICES



SCALE 3.000

ABSOLUTE MAXIMUM RATINGS AT 25°C AMBIENT	DIALIGHT PART NUMBER						UNITS
	551-0207-003F	551-0307-003F	551-0407-003F	551-1107-003F	551-1207-003F	551-1307-003F	
POWER DISSIPATION	120	60	100	20	75	20	mW
CONTINUOUS FORWARD CURRENT	30	20	30	7	30	7	mA
PEAK FORWARD CURRENT	90	60	90	500	60	500	mA
REVERSE VOLTAGE	5	5	5	5	5	5	V
SOLDERING TEMPERATURE, 5 SEC., 1/16" FROM BASE	260	260	260	260	260	260	°C
OPERATING TEMPERATURE	-55 TO +100	-55 TO +100	-55 TO +100	-55 TO +100	-40 TO +100	-55 TO +100	°C
STORAGE TEMPERATURE	-55 TO +100	-55 TO +100	-55 TO +100	-55 TO +100	-55 TO +100	-55 TO +100	°C

THIS DRAWING AND THE CONTENTS HEREIN ARE CONFIDENTIAL AND THE SOLE PROPERTY OF DIALIGHT. REPRODUCTION OF THIS DRAWING OR CONSTRUCTION OF ANY PARTS WITHIN THIS DRAWING ARE FORBIDDEN WITHOUT THE WRITTEN CONSENT OF DIALIGHT.

SCALE: 8.000
 ALL DIM'S IN: INCHES (MM)

TOLERANCES: UNLESS OTHERWISE SPECIFIED
 FRACTIONS: ±1/64
 DECIMALS (.XX): ±.02
 DECIMALS (.XXX): ±.015

ANGLES: ±3°
 FINISH:

DRAWING NUMBER: C-17808
 REV: B

TITLE: ∅3mm CBI TRI-BLOCK, .200" CENTERLINE
 MATERIAL:

Dialight 1501 ROUTE 34 SOUTH FARMINGDALE, NJ 07727

FSCM 83330
 SHEET 1 OF 1 FAMILY TABLE: