

T distributor - SAC-5PT-FB/2XMB PBDP SH - 1424711

Please be informed that the data shown in this PDF Document is generated from our Online Catalog. Please find the complete data in the user's documentation. Our General Terms of Use for Downloads are valid (<http://phoenixcontact.com/download>)




T distributor, PROFIBUS DP (12 Mbps), 5-position, shielded, Socket straight M12, B-coded, on Plug straight M12, B-coded and Plug straight M12, B-coded

Your advantages

- Safe use in the field, thanks to a high degree of protection
- Reliable signal transmission - 360° shielding in environments with electromagnetic interference



Key Commercial Data

Packing unit	1 pc
GTIN	 4 055626 376745
GTIN	4055626376745

Technical data

Ambient conditions

Ambient temperature (operation)	-25 °C ... 85 °C (Plug / socket)
---------------------------------	----------------------------------

General

Rated current at 40°C	1 A (Contact 2 and 4) 4 A (Contact 1 and 3)
Rated voltage	48 V AC 60 V DC
Number of positions	5
Color handle area	black
Coding	B-coded
Standards/regulations	M12 connector IEC 61076-2-101
Signal type/category	PROFIBUS DP, 12 Mbps
Status display	No
Overvoltage category	II
Degree of pollution	3

T distributor - SAC-5PT-FB/2XMB PBDP SH - 1424711

Technical data

General

Insertion/withdrawal cycles	≥ 100
Torque	0.4 Nm (M12 connector)

Material

Flammability rating according to UL 94	V0
Contact material	CuZn (pin) / CuSn (socket)
Contact surface material	Ni/Au
Contact carrier material	PBT
Material of grip body	PBT
Material, knurls	Zinc die-cast, nickel-plated
Sealing material	NBR

Standards and Regulations

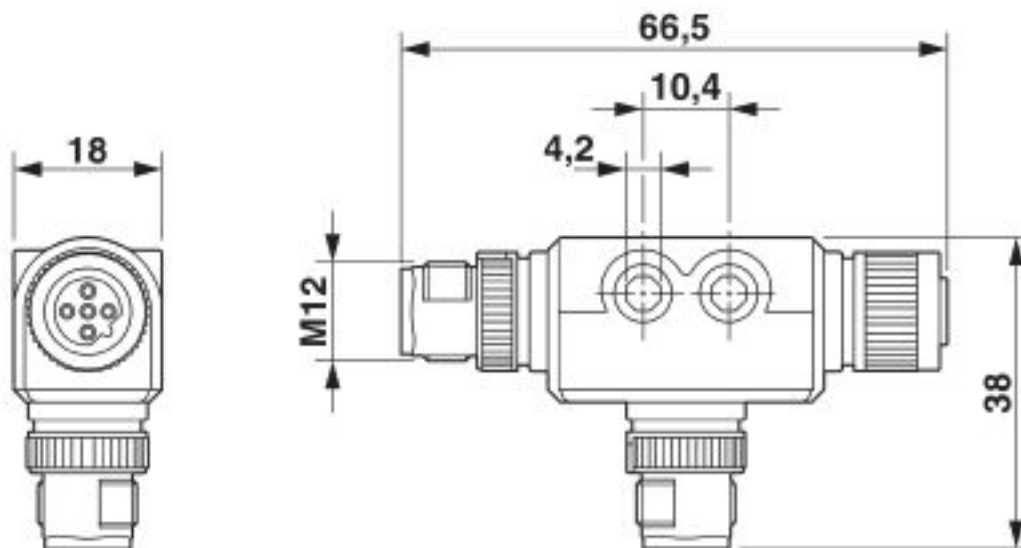
Standard designation	M12 connector
Standards/regulations	IEC 61076-2-101
Flammability rating according to UL 94	V0

Environmental Product Compliance

China RoHS	Environmentally Friendly Use Period = 50
	For details about hazardous substances go to tab "Downloads", Category "Manufacturer's declaration"

Drawings

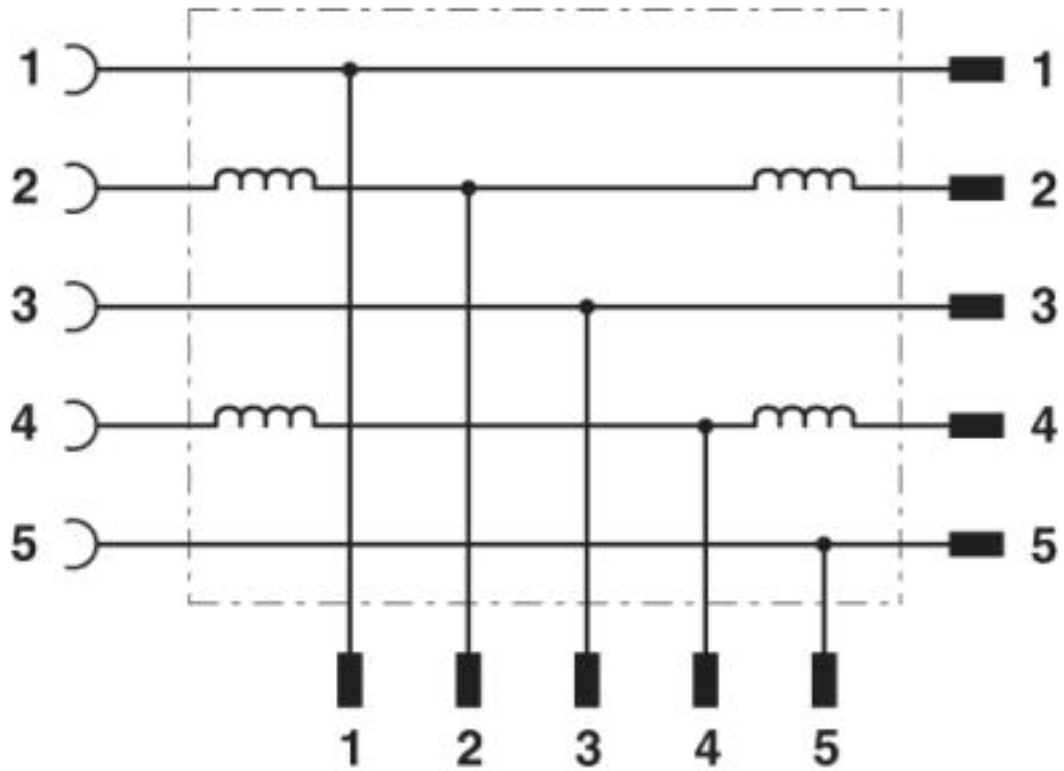
Dimensional drawing



M12 T distributor

T distributor - SAC-5PT-FB/2XMB PBDP SH - 1424711

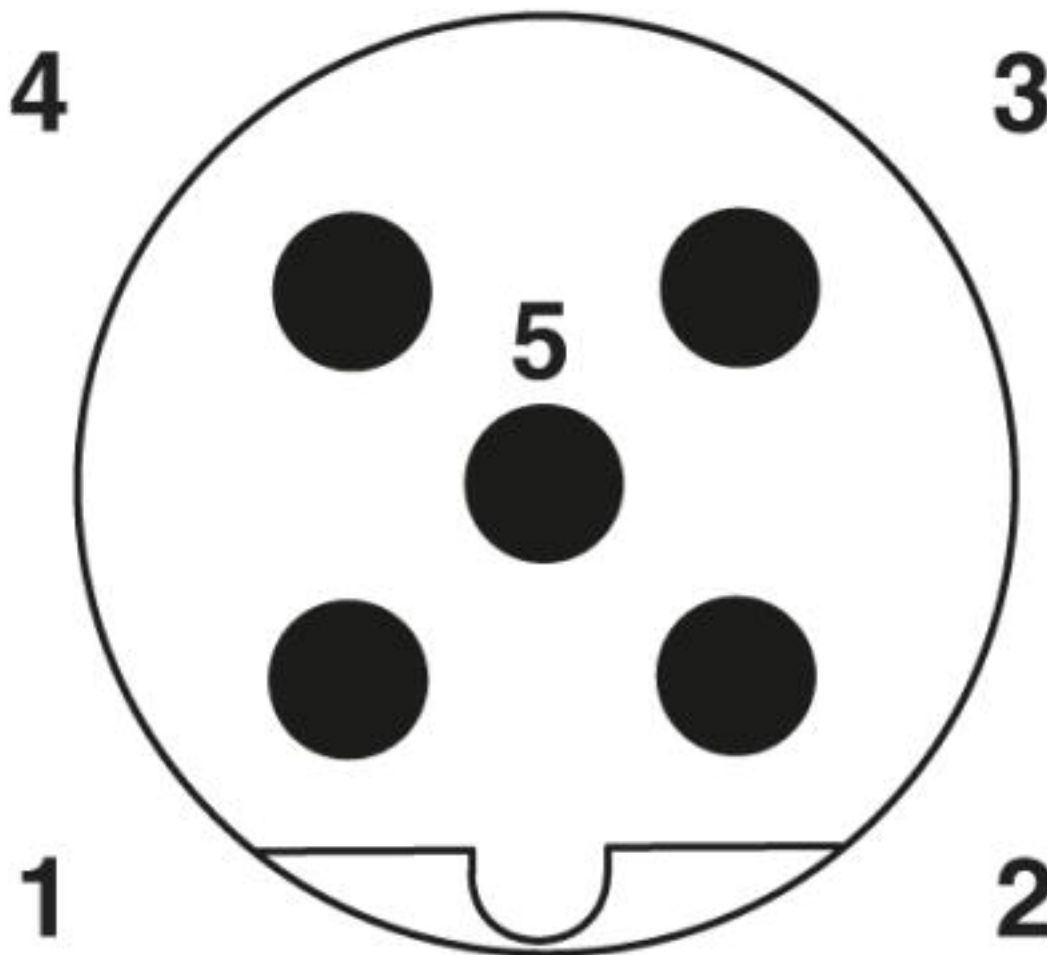
Circuit diagram



Contact assignment of the M12 plug and the M12 socket

T distributor - SAC-5PT-FB/2XMB PBDP SH - 1424711

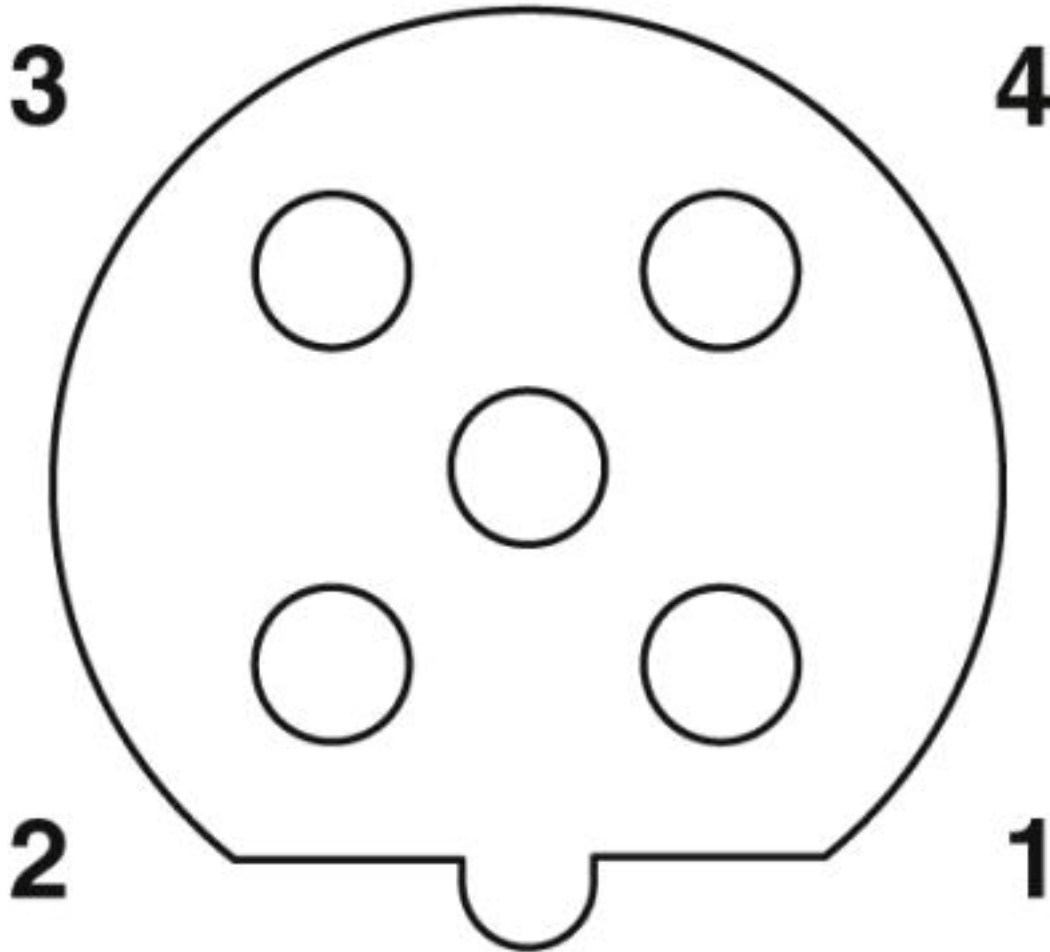
Schematic diagram



Pin assignment M12 male connector, 5-pos., B-coded, male side

T distributor - SAC-5PT-FB/2XMB PBDP SH - 1424711

Schematic diagram



Pin assignment M12 socket, 5-pos., B-coded, female side

Approvals

Approvals

Approvals


EAC

Ex Approvals

Approval details

T distributor - SAC-5PT-FB/2XMB PBDP SH - 1424711

Approvals

EAC		EAC-Zulassung
-----	---	---------------

Phoenix Contact 2019 © - all rights reserved
<http://www.phoenixcontact.com>

PHOENIX CONTACT GmbH & Co. KG
Flachsmarktstr. 8
32825 Blomberg
Germany
Tel. +49 5235 300
Fax +49 5235 3 41200
<http://www.phoenixcontact.com>