

# Cable gland - HC-B-G-M20-PLRBK - 1407669

Please be informed that the data shown in this PDF Document is generated from our Online Catalog. Please find the complete data in the user's documentation. Our General Terms of Use for Downloads are valid (<http://phoenixcontact.com/download>)



EVO plastic cable gland with bayonet locking, for housing series B, size M20, cable diameter: 7 ... 13 mm



## Key Commercial Data

|              |               |
|--------------|---------------|
| Packing unit | 1 pc          |
| GTIN         |               |
| GTIN         | 4046356776370 |

## Technical data

### Dimensions

|                         |                |
|-------------------------|----------------|
| Wrench size, union nut  | 22 mm          |
| External cable diameter | 7 mm ... 13 mm |

### Ambient conditions

|                                 |                   |
|---------------------------------|-------------------|
| Degree of protection (IP)       | IP66              |
| Degree of protection (NEMA)     | 12 (UL 50e)       |
| Ambient temperature (operation) | -40 °C ... 100 °C |

### General

|                                        |              |
|----------------------------------------|--------------|
| Type of the screw connection           | M20          |
| No. of conductors                      | 1            |
| Material                               | PA           |
| Cable gland material                   | PA           |
| Material, pressure screw               | PA           |
| Seal material                          | NBR          |
| Cable seal material                    | NBR          |
| Sealing material                       | NBR (O-ring) |
| Flammability rating according to UL 94 | V0 (Seal)    |
|                                        | V2 (Housing) |

# Cable gland - HC-B-G-M20-PLRBK - 1407669

## Technical data

### General

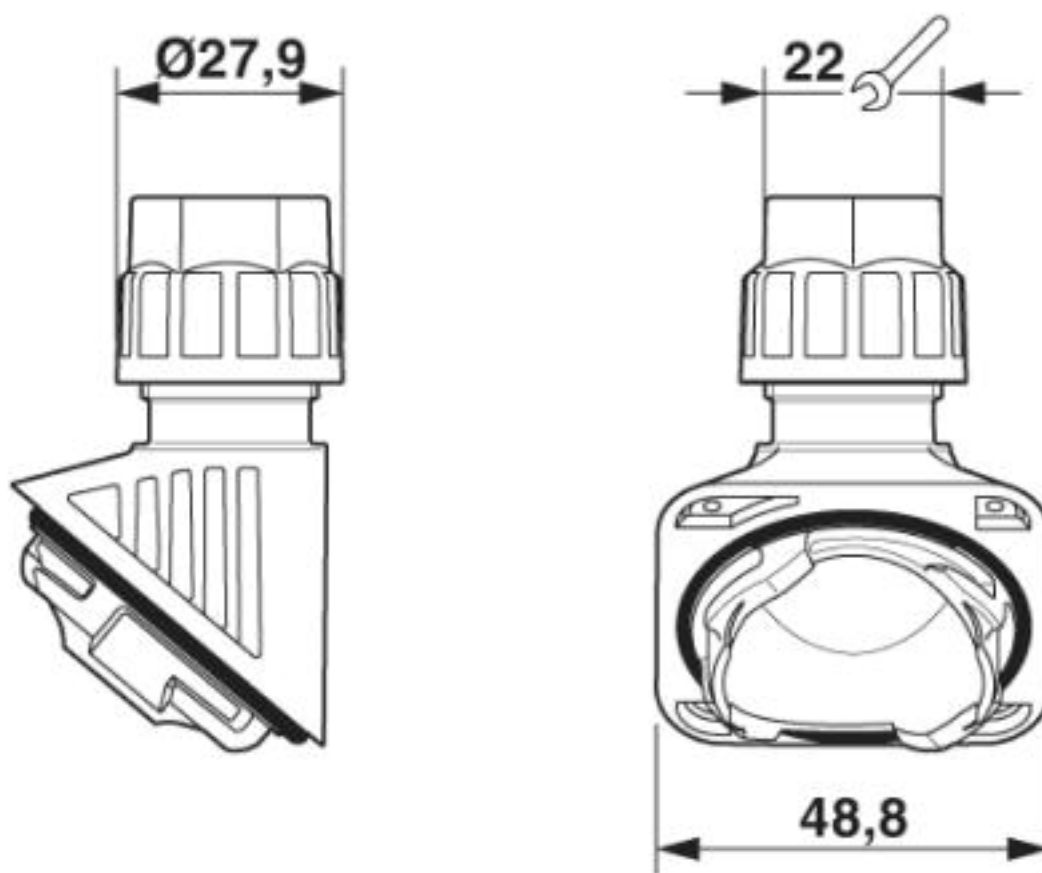
|                                |                                        |
|--------------------------------|----------------------------------------|
| Shielded                       | no                                     |
| Thread type on connection side | Bayonet B plastic                      |
| Tightening torque, union nut   | 5.00 Nm                                |
| Color                          | black                                  |
| Assembly instructions          | Bayonet locking max. 3x can be removed |

### Environmental Product Compliance

|            |                                                         |
|------------|---------------------------------------------------------|
| China RoHS | Environmentally friendly use period: unlimited = EFUP-e |
|            | No hazardous substances above threshold values          |

## Drawings

Dimensional drawing



Dimensional drawing

## Approvals

Approvals

# Cable gland - HC-B-G-M20-PLRBK - 1407669

## Approvals

---

### Approvals

UL Recognized / cUL Recognized / EAC / DNV GL / cULus Recognized

---

### Ex Approvals

---

### Approval details

|                  |  |                                                                                                                                                       |                          |
|------------------|--|-------------------------------------------------------------------------------------------------------------------------------------------------------|--------------------------|
| UL Recognized    |  | <a href="http://database.ul.com/cgi-bin/XYV/template/LISEXT/1FRAME/index.htm">http://database.ul.com/cgi-bin/XYV/template/LISEXT/1FRAME/index.htm</a> | E255026                  |
| cUL Recognized   |  | <a href="http://database.ul.com/cgi-bin/XYV/template/LISEXT/1FRAME/index.htm">http://database.ul.com/cgi-bin/XYV/template/LISEXT/1FRAME/index.htm</a> | E255026                  |
| EAC              |  |                                                                                                                                                       | RU C-<br>DE.AI30.B.01102 |
| DNV GL           |  | <a href="https://approvalfinder.dnvgl.com/">https://approvalfinder.dnvgl.com/</a>                                                                     | TAE000037S               |
| cULus Recognized |  |                                                                                                                                                       |                          |

---

Phoenix Contact 2019 © - all rights reserved  
<http://www.phoenixcontact.com>

PHOENIX CONTACT GmbH & Co. KG  
Flachsmarktstr. 8  
32825 Blomberg  
Germany  
Tel. +49 5235 300  
Fax +49 5235 3 41200  
<http://www.phoenixcontact.com>