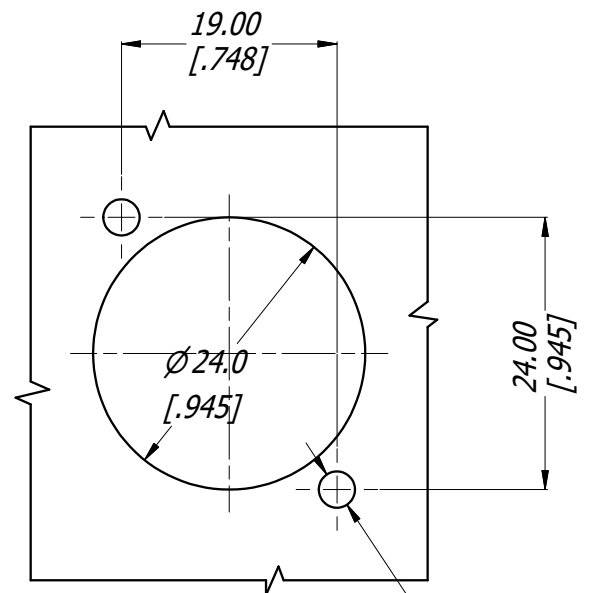


**3D VIEW**  
1:1



**PANEL CUT OUT**  
3:2

2 x  $\varnothing 3.20$   
[.126]

**TABLE OF PART NUMBERS**

PART No.	METAL SHELL FINISH	TRANSMISSION CLASS
RJXS8FD5I	NICKEL	CAT5e
RJXS8FD6I	NICKEL	CAT6

UNLESS OTHERWISE SPECIFIED TOLERANCE TO BE	
LINEAR	ANGULAR
X ± 0.5	X' ± 1
X.X ± 0.1	X.X' ± 30'
X.X ± 0.05	X.X' ± 15'

THIS DOCUMENT IS THE PROPERTY OF AMPHENOL AUSTRALIA PTY. LTD.  
NO PART THEREOF MAY BE REPRODUCED AND USED  
WITHOUT THE PRIOR WRITTEN CONSENT OF THE OWNER.

MATERIAL: **REFER SPECIFICATION**

FINISH:

DIMENSIONS IN MILLIMETRES

DRN: T.N DATE: 17/04/19

CKD: P.M DATE: 17/04/19

APP'D: P.M DATE: 17/04/19

SCALE: **3:2** SIZE: **A3**



**Amphenol**

Amphenol Australia Pty.Ltd,  
22 Industry Blvd, Carrum Downs  
VIC 3201 Australia

TITLE:  
**XLRnet D TYPE CAT6  
PUNCHDOWN IDC  
CUSTOMER DRAWING**

PART No:	REV
<b>REFER TABLE P/No</b>	<b>1</b>
DRAWING No.	SHEET
<b>55011364-000-2</b>	<b>2/2</b>