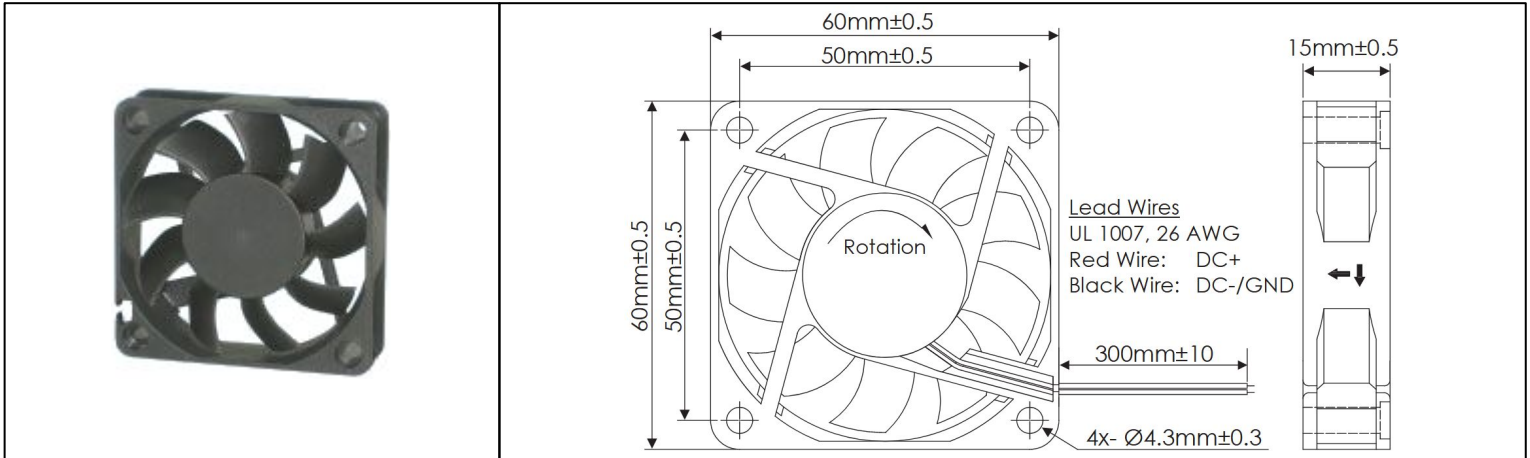


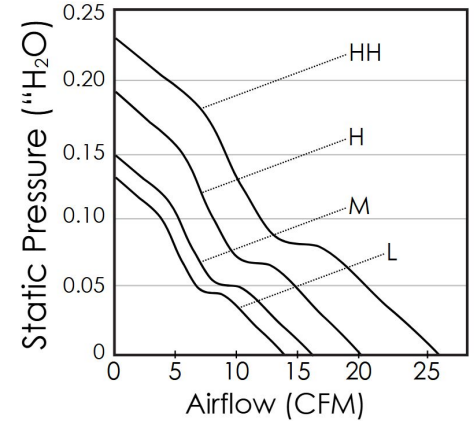
OD6015 Series



DC Fans - 5, 12, 24, 48V
60mm x 15mm (2.4" x 0.6")



Frame	PBT, UL94 V-0 Plastic	Operating Temperature -20°C ~ +65°C Storage Temperature -20°C ~ +75°C Life Expectancy 60,000 Hours (L10 at 40°C) Available Options Tachometer Output Alarm Output PWM Speed Control Input IP Ratings Sleeve Bearings Weight: 0.06 lbs
Impeller	PBT, UL94 V-0 Plastic	
Connection	2x Wire Leads, 26 AWG	
Motor	Brushless DC, Auto Cutoff, Auto Restart, Polarity Protected, Electronically Protected	
Bearing System	Ball Bearings	
Dielectric Strength	500VDC/min, <1mA	
Insulation Resistance	≥10MΩ @ 500 VDC	

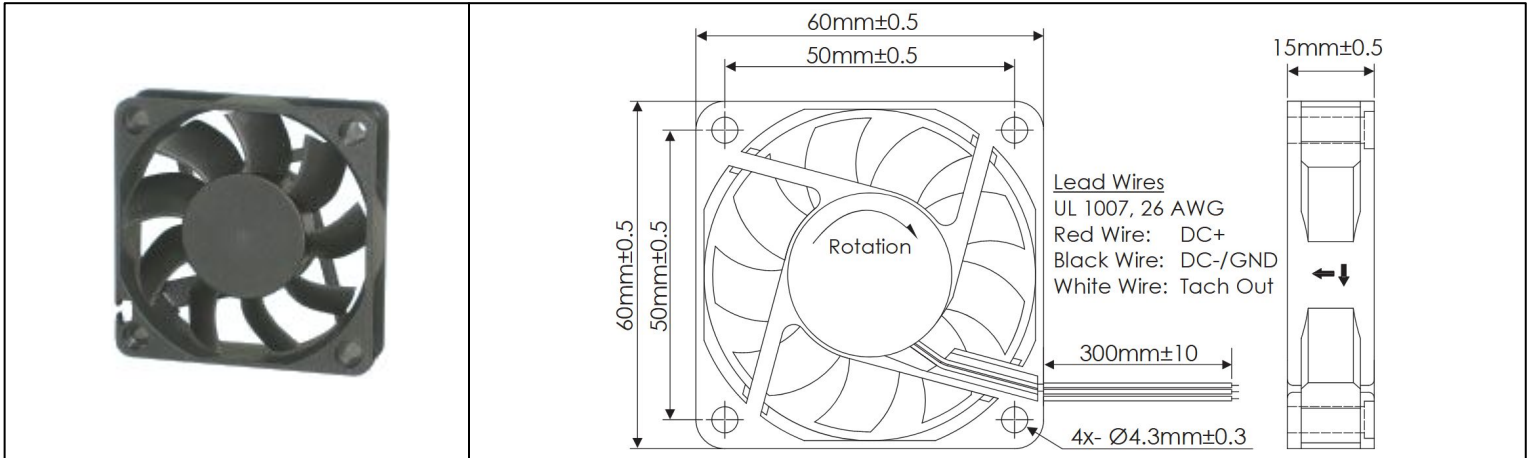


Part Number	Rated Voltage (Volts DC)	Voltage Range (Volts DC)	Input Power (Watts)	Rated Current (Amps)	Rated Speed (RPM)	Max Airflow (CFM)	Noise Level (dBA)	Max Static Pressure ("H ₂ O)
OD6015-05HB	5	4.5 ~ 5.5	1.5	0.25	4250	20.2	32.4	0.19
OD6015-05MB	5	4.5 ~ 5.5	1.2	0.19	3990	17.1	30.6	0.15
OD6015-05LB	5	4.5 ~ 5.5	0.8	0.15	3500	14.3	27.2	0.13
OD6015-12HHB	12	8 ~ 13.8	2.3	0.18	4975	25.8	36.3	0.23
OD6015-12HB	12	8 ~ 13.8	2.2	0.18	4250	20.2	32.4	0.19
OD6015-12MB	12	8 ~ 13.8	1.9	0.15	3990	17.1	30.6	0.15
OD6015-12LB	12	8 ~ 13.8	1.2	0.10	3500	14.3	27.2	0.13
OD6015-24HHB	24	15 ~ 26	3.6	0.15	4975	25.8	36.3	0.23
OD6015-24HB	24	15 ~ 26	3.5	0.15	4250	20.2	32.4	0.19
OD6015-24MB	24	15 ~ 26	3.2	0.13	3990	17.1	30.6	0.15
OD6015-24LB	24	15 ~ 26	2.0	0.07	3500	14.3	27.2	0.13
OD6015-48HHB	48	28 ~ 52	3.5	0.07	4975	25.8	36.3	0.23
OD6015-48HB	48	28 ~ 52	3.4	0.07	4250	20.2	32.4	0.19

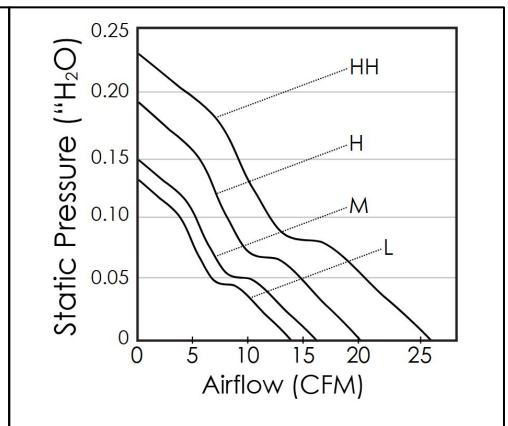
OD6015 Series with Tach



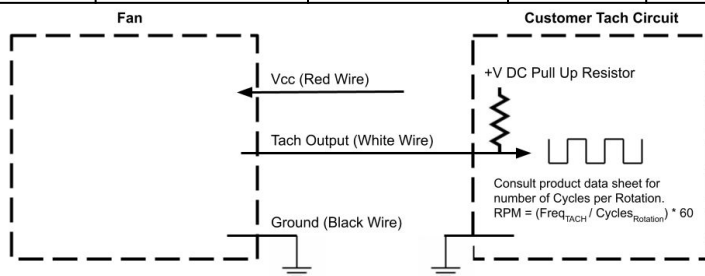
DC Fans - 5, 12, 24, 48V
60mm x 15mm (2.4" x 0.6")



Frame	PBT, UL94 V-0 Plastic	Operating Temperature -20°C ~ +65°C Storage Temperature -20°C ~ +75°C Life Expectancy 60,000 Hours (L10 at 40°C) Installed Options Open Collector Tach Output Available Options 5V TTL Tach Output Weight: 0.06 lbs
Impeller	PBT, UL94 V-0 Plastic	
Connection	3x Wire Leads, 26 AWG	
Motor	Brushless DC, Auto Cutoff, Auto Restart, Polarity Protected, Electronically Protected	
Bearing System	Ball Bearings	
Dielectric Strength	500VDC/min, <1mA	
Insulation Resistance	≥10MΩ @ 500 VDC	



Part Number	Rated Voltage (Volts DC)	Voltage Range (Volts DC)	Input Power (Watts)	Rated Current (Amps)	Rated Speed (RPM)	Max Airflow (CFM)	Noise Level (dBA)	Max Static Pressure (\"H ₂ O
OD6015-05HB01A	5	4.5 ~ 5.5	1.5	0.25	4250	20.2	32.4	0.19
OD6015-05MB01A	5	4.5 ~ 5.5	1.2	0.19	3990	17.1	30.6	0.15
OD6015-05LB01A	5	4.5 ~ 5.5	0.8	0.15	3500	14.3	27.2	0.13
OD6015-12HHB01A	12	8 ~ 13.8	2.3	0.18	4975	25.8	36.3	0.23
OD6015-12HB01A	12	8 ~ 13.8	2.2	0.18	4250	20.2	32.4	0.19
OD6015-12MB01A	12	8 ~ 13.8	1.9	0.15	3990	17.1	30.6	0.15
OD6015-12LB01A	12	8 ~ 13.8	1.2	0.10	3500	14.3	27.2	0.13
OD6015-24HHB01A	24	15 ~ 26	3.6	0.15	4975	25.8	36.3	0.23
OD6015-24HB01A	24	15 ~ 26	3.5	0.15	4250	20.2	32.4	0.19
OD6015-24MB01A	24	15 ~ 26	3.2	0.13	3990	17.1	30.6	0.15
OD6015-24LB01A	24	15 ~ 26	2.0	0.07	3500	14.3	27.2	0.13
OD6015-48HHB01A	48	28 ~ 52	3.5	0.07	4975	25.8	36.3	0.23
OD6015-48HB01A	48	28 ~ 52	3.4	0.07	4250	20.2	32.4	0.19



Tach Max Pullup Voltage: Fan Vcc
 Tach Max Sink Current: 5mA
 Tach Cycles per Rotation: 2