

This document is the property of Amphenol Corporation and is delivered on the express condition that is not to be disclosed, reproduced or used, in whole or in part, for manufacture or sale by anyone other than Amphenol Corporation without its prior consent, and that no right is granted to disclose or to use any information in this document.
The marking on this product doesn't contain environmental hazardous materials per directive 2011/65/EU for RoHS compliant.



ORIGINAL

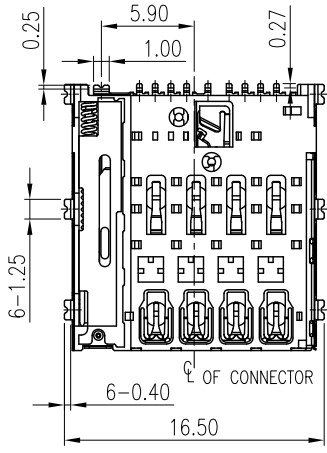
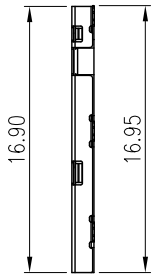
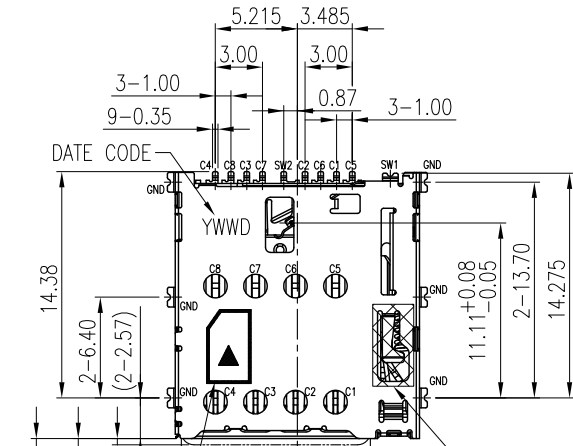


REVISIONS				
SYM	ECN No.	DESCRIPTION	DATE	APPROVED
A	NE-17085	RELEASE TO PRODUCTION	04/24/2017	Roger Tsai
B	NE-19115	CHANGE CD PIN SHORT TO LONG / ADD CD PIN DIMENSION 11.11mm +0.08/-0.05/ADD A LASER SIGN FOR CARD INSERTION ON THE SHELL	06/27/2019	Roger Tsai

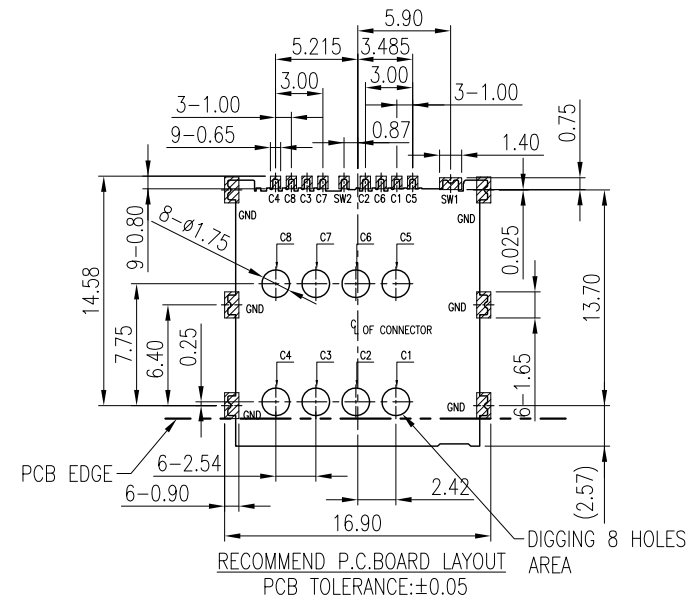
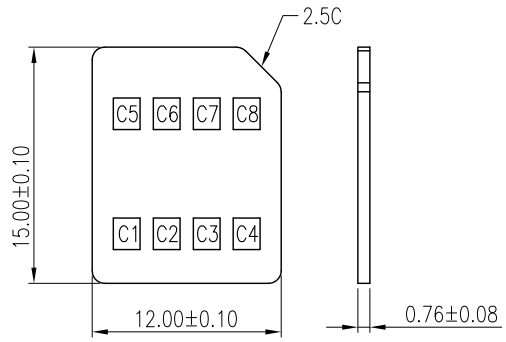
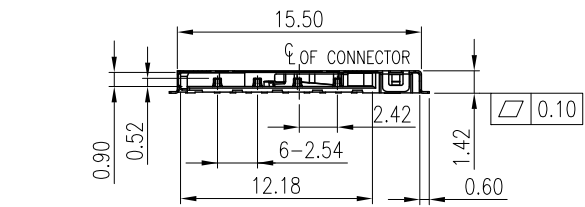
NOTES:

- MATERIAL:
HOUSING: HIGH TEMPERATURE THERMAL PLASTIC LCP, UL94V-0, COLOR: BLACK.
TERMINAL: COPPER ALLOY.
SHELL: STAINLESS STEEL.
SPRING: SWP.
PUSH HOOK: STAINLESS STEEL.
- FINISH:
TERMINAL:
CONTACT AREA: GOLD PLATING OPTION;
SOLDERING AREA: GOLD FLASH PLATING;
UNDER PLATING: NICKEL PLATING 50μ" THICKNESS MIN. OVERALL.
SHELL: GOLD FLASH ON SOLDERING PAD.
NICKEL PLATING 50μ" THICKNESS MIN. OVERALL.
SPRING: NICKEL PLATING 50μ" THICKNESS MIN. OVERALL.
- PRODUCT SPECIFICATION REFER TO : PS-7625.
- TEST SUMMARY REFER TO : TS-7625-001.
- THIS PRODUCT DOESN'T CONTAIN ENVIRONMENTAL HAZARDOUS PER DIRECTIVE 2011/65/EU FOR RoHS COMPLIANT.
OR PER IEC 61249-2-21 FOR HALOGEN-FREE COMPLIANT.

PART NO. G85B2 X 10 X B1HR
CONTACT FINISH: 2: 15u" GOLD, 3: 30u" GOLD
PACKAGING: 2: TAPE & REEL



THE SHRAPNEL AREAS PROHIBIT CONTACT AND EXTRUDED BY THE CARD PUSH POSITION
CARD LOCK POSITION
CARD DASHING POSITION
LASER MARK
Ø OF CONNECTOR



CARD PIN ASSIGNMENT

C1	VCC
C2	RST
C3	CLK
C4	RESERVED
C5	GND
C6	VPP
C7	I/O
C8	RESERVED
SW1	GND
SW2	CD

DETECT SWITCH

CARD INSERTING POSITION	CLOSE	
	NO CARD	OPEN
	OPEN	

TOLERANCE	APPROVALS	DATE	TITLE
X.	DRAWN Karen Su	06/27/2019	MICRO SIM CARD CONNECTOR 8 POS., 2.54PITCH, 1.42H SMT PUSH/PUSH TYPE FOR CISCO ONLY
X.X ±0.30			
X.XX ±0.20			
X.XXX ±0.10	CHECKED Aqua Chou	06/27/2019	
ANGULAR ±1°	APPROVED Roger Tsai	06/27/2019	
UNLESS OTHERWISE SPECIFIED	DWG TYPE CUST DWG	PROJECT CODE OTHER	

Amphenol®
Amphenol Corporation
Amphenol Taiwan Corporation

PART No. G85B2X10XB1HR
DWG No. G85B2X10XB1HR
REV. B

UNIT mm SIZE A3
SCALE NA SHEET 1 OF 2

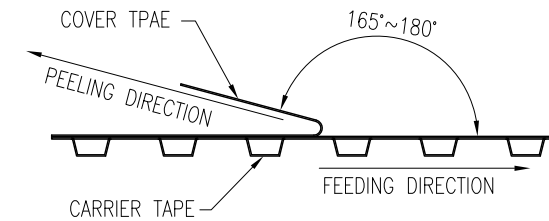
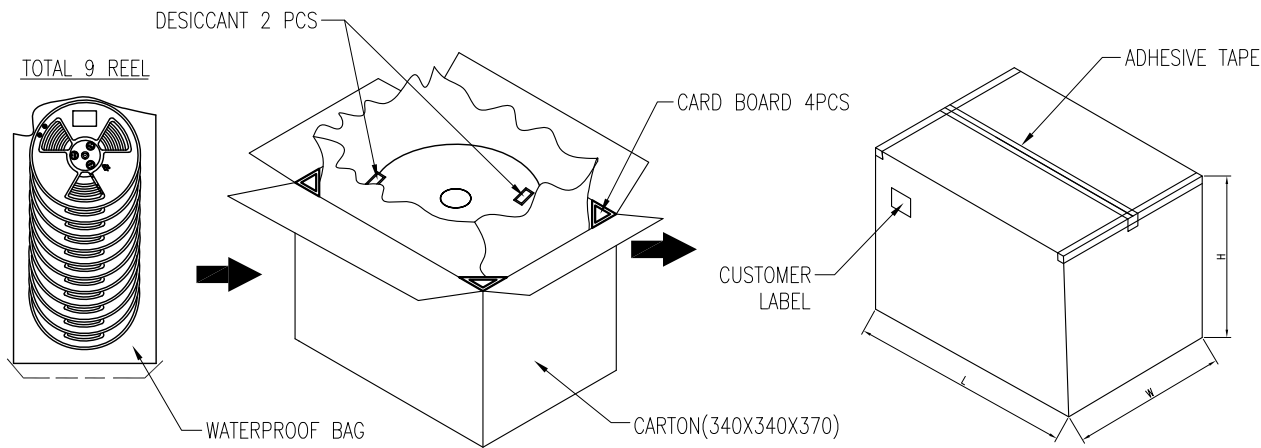
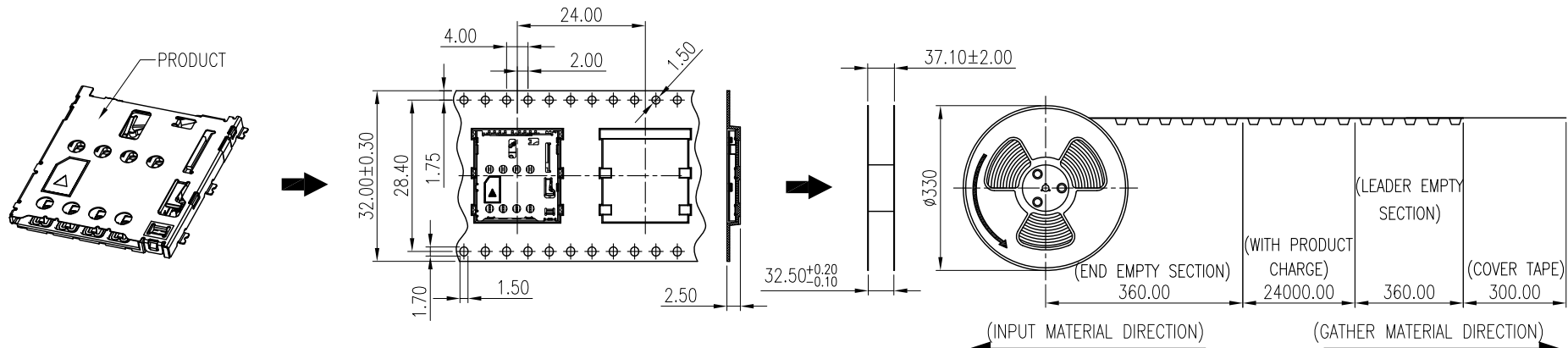
This document is the property of Amphenol Corporation and is delivered on the express condition that is not to be disclosed, reproduced or used, in whole or in part, for manufacture or sale by anyone other than Amphenol Corporation without its prior consent, and that no right is granted to disclose or to use any information in this document.
The marking on this product doesn't contain environmental hazardous materials per directive 2011/65/EU for RoHS compliant.



ORIGINAL



REVISIONS				
SYM	ECN No.	DESCRIPTION	DATE	APPROVED
A	NE-17085	RELEASE TO PRODUCTION	04/24/2017	Roger Tsai
B	NE-19115	CHANGE CD PIN SHORT TO LONG / ADD CD PIN DIMENSION 11.1mm +0.08/-0.05/ADD A LASER SIGN FOR CARD INSERTION ON THE SHELL	06/27/2019	Roger Tsai



NOTES:

- CARRIER TAPE MATERIAL: Transparent Polystyrene.(HJ-TR-500)
- PEELING SPEED: 300mm/MINUTE
- COVER TAPE PEELING STRENGTH: 20gf~100gf. AT 300mm/Min
- PACKING QUANTITY:
 - 1000 PCS PRODUCT/REEL.
 - 9 PCS REEL/CARTON.
 - 9000 PCS PRODUCT/CARTON.

TOLERANCE		APPROVALS		DATE	TITLE MICRO SIM CARD CONNECTOR 8 POS., 2.54PITCH, 1.42H SMT PUSH/PUSH TYPE FOR CISCO ONLY	Amphenol® Amphenol Corporation Amphenol Taiwan Corporation	
X.		DRAWN	Karen Su	06/27/2019		UNIT mm	SIZE A3
X.X	±0.30	CHECKED	Aqua Chou	06/27/2019			
X.XX	±0.20	APPROVED	Roger Tsai	06/27/2019	SCALE NA	SHEET 2 OF 2	DWG No. G85B2X10XB1HR
X.XXX	±0.10	DWG TYPE	CUST DWG	PROJECT CODE			
ANGULAR ±1°							
UNLESS OTHERWISE SPECIFIED							