

Customer Information Sheet

DRAWING No.: G125-MHXXX05L2P

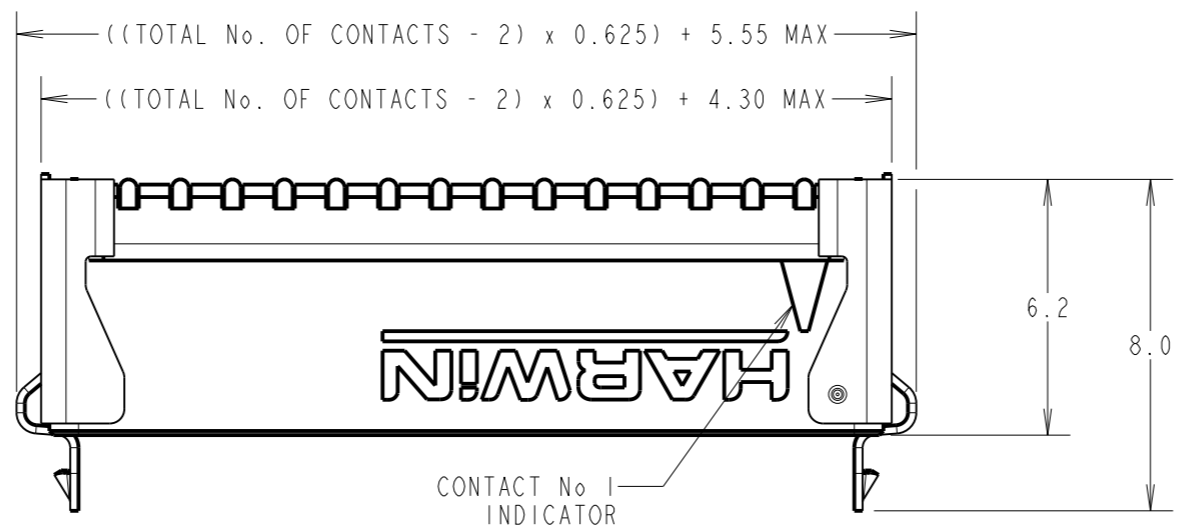
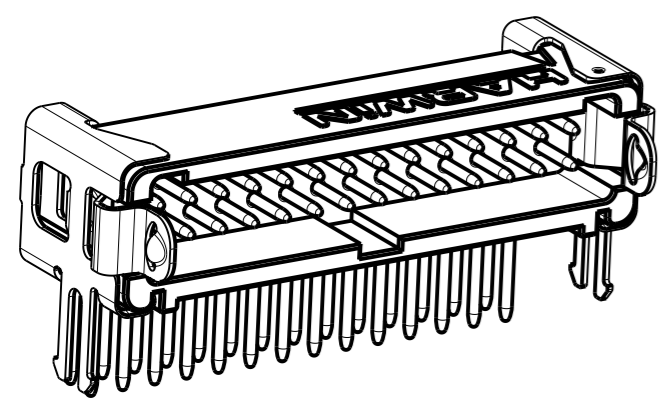
IF IN DOUBT - ASK

©

NOT TO SCALE

THIRD ANGLE PROJECTION

ALL DIMENSIONS IN mm



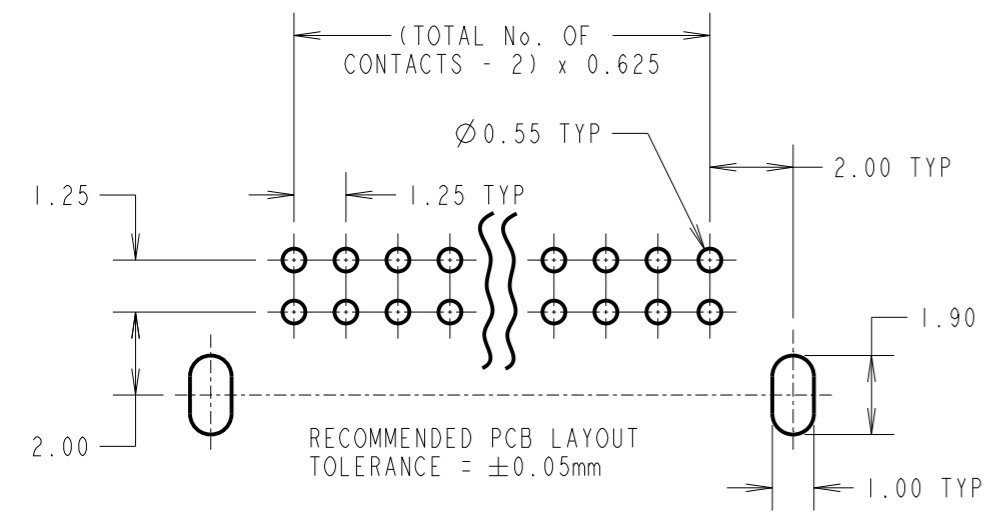
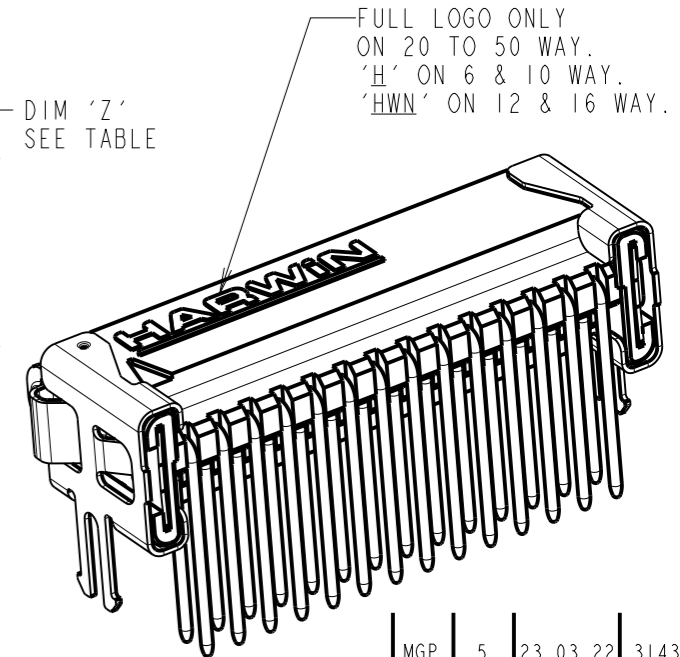
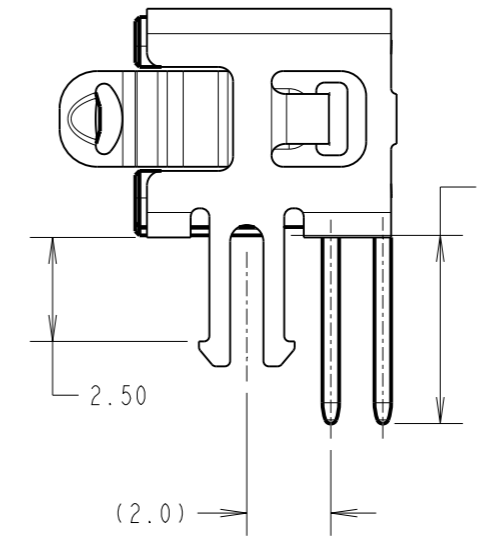
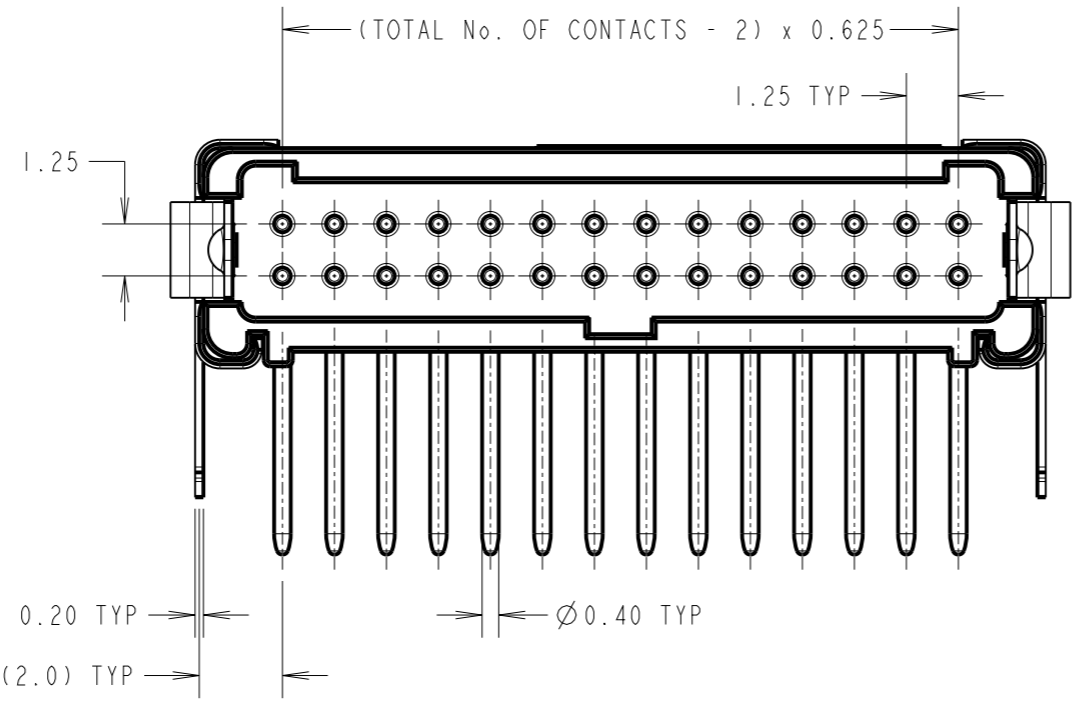
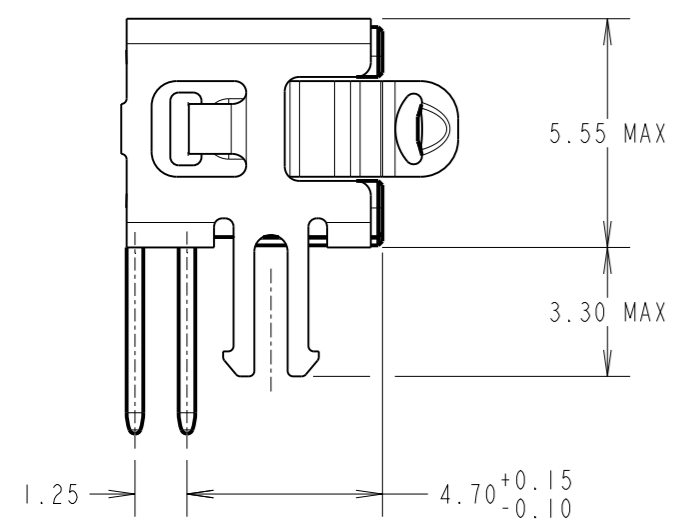
ORDER CODE: **G125-MHXXX05L2P**

CONTACT STYLE: _____
 3.2mm PC-TAIL = H1
 4.7mm PC-TAIL = H2

TOTAL No. OF CONTACTS: _____
 06, 10, 12, 16, 20, 26, 34, 50

LATCHES: _____
 2.5mm BOARD MOUNT & LATCHES = L2

CONTACT STYLE	DIM 'Z'
H1	3.2±0.15
H2	4.7±0.15



**CONNECTOR DETAILS AND PCB LAYOUT ONLY.
 SEE SHEET 6 FOR TAPE STRIP DETAILS.**

NOTES:
 1. FOR COMPLETE SPECIFICATION, SEE COMPONENT SPECIFICATION C125XX (LATEST ISSUE).
 SEE G125-SERIES CONNECTORS SPECIFICATION SHEET FOR MATERIALS, FINISH AND SPECIFICATION SUMMARY.

MGP	5	23.03.22	31438
NAME	ISS.	DATE	CN/CO
APPROVED: MGP			
CHECKED: RA			
DRAWN: MARK G PLESTED			
CUSTOMER REF.:			
ASSEMBLY DRG:			

 www.harwin.com technical@harwin.com	THIS DRAWING AND ANY INFORMATION OR DESCRIPTIVE MATTER SET OUT HEREON ARE CONFIDENTIAL AND COPYRIGHT PROPERTY OF THE HARWIN GROUP AND MUST NOT BE DISCLOSED, LOANED, COPIED OR USED FOR MANUFACTURING, TENDERING OR FOR ANY OTHER PURPOSE WITHOUT THEIR WRITTEN PERMISSION.	TOLERANCES	MATERIAL:	TITLE:
		X. = ±1mm X.X = ±0.50mm X.XX = ±0.20mm X.XXX = ±0.01mm ANGLES = ±5° UNLESS STATED	SEE NOTE 1	G125 MALE HORIZONTAL PC TAIL SERIES IN TAPE
		FINISH: SEE NOTE 1	S/AREA: mm ²	DRAWING NUMBER:
				G125-MHXXX05L2P
				SHT 5 OF 6

Customer Information Sheet

DRAWING No.: G125-MHXXX05L2P

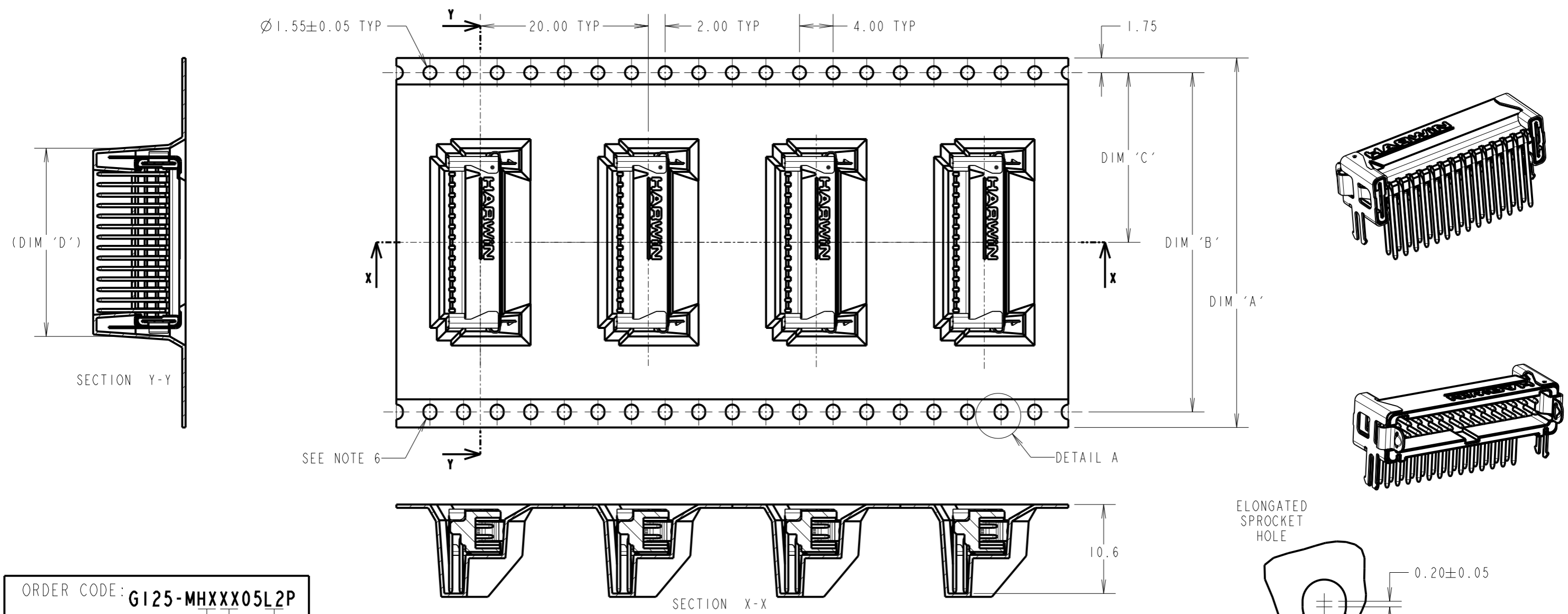
IF IN DOUBT - ASK

©

NOT TO SCALE

THIRD ANGLE PROJECTION

ALL DIMENSIONS IN mm



ORDER CODE: **G125-MHXXX05L2P**

CONTACT STYLE: _____
 3.2mm PC-TAIL = H1
 4.7mm PC-TAIL = H2


TOTAL No. OF CONTACTS: _____
 06, 10, 12, 16, 20, 26, 34, 50

LATCHES: _____
 2.5mm BOARD MOUNT & LATCHES = L2

- NOTES:
- COMPONENTS ARE ORIENTED IN TAPE POCKETS AS SHOWN.
 - COMPONENTS ARE SUPPLIED IN STRIPS OF 10 UNLESS OTHERWISE SPECIFIED.
 - LARGE QUANTITIES MAY BE SHIPPED ON A REEL AND MAY NOT HAVE A LEADER.
 - FOR COMPLETE SPECIFICATION, SEE COMPONENT SPECIFICATION C125XX (LATEST ISSUE).
 - FOR PARTS ON REEL SUITABLE FOR AUTOMATIC MACHINE PLACEMENT PLEASE ORDER: G125-MHXXX05L2R.
 - ELONGATED SPROCKET HOLE NOT PRESENT ON 06 & 10 POSITIONS.
 - SEE SHEET 5 FOR CONNECTOR DETAILS.

PART No.	DIM 'A'	DIM 'B'	DIM 'C'	DIM 'D'
G125-MHX0605L2P	24.0	NO ELONGATED HOLE	11.50	8.5
G125-MHX1005L2P	$+0.3/-0.1$			11.0
G125-MHX1205L2P	32.0 ± 0.3	28.40	14.20	12.2
G125-MHX1605L2P				14.7
G125-MHX2005L2P				17.2
G125-MHX2605L2P	44.0 ± 0.3	40.40	20.2 ± 0.15	21.0
G125-MHX3405L2P				26.0
G125-MHX5005L2P	56.0 ± 0.3	52.40	26.2 ± 0.15	36.0

MGP	5	23.03.22	31438
NAME	ISS.	DATE	CN/CO
APPROVED: MGP			
CHECKED: RA			
DRAWN: MARK G PLESTED			
CUSTOMER REF.:			
ASSEMBLY DRG:			

 www.harwin.com technical@harwin.com	THIS DRAWING AND ANY INFORMATION OR DESCRIPTIVE MATTER SET OUT HEREON ARE CONFIDENTIAL AND COPYRIGHT PROPERTY OF THE HARWIN GROUP AND MUST NOT BE DISCLOSED, LOANED, COPIED OR USED FOR MANUFACTURING, TENDERING OR FOR ANY OTHER PURPOSE WITHOUT THEIR WRITTEN PERMISSION.	TOLERANCES	MATERIAL:	TITLE:
		X. = ± 1 mm X.X = ± 0.50 mm X.XX = ± 0.20 mm X.XXX = ± 0.01 mm ANGLES = $\pm 5^\circ$ UNLESS STATED	SEE SHEET 5	G125 MALE HORIZONTAL PC TAIL SERIES IN TAPE
		FINISH: SEE SHEET 5	S/AREA: mm ²	DRAWING NUMBER: G125-MHXXX05L2P
				SHT 6 OF 6