

CGA8P1C0G3F331K250KE

TDK Item Description : CGA8P1C0G3F331KT**S



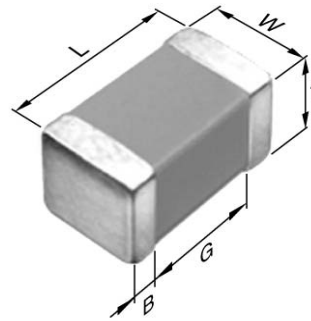
Equivalent C4532C0G3F331K for Automotive

Application & Main Feature

Automotive Grade (Soft Termination)

Series

CGA8(4532) [EIA CC1812]



Dimensions

L	4.50mm +0.5,-0.4mm
W	3.20mm +/-0.4mm
T	2.50mm +/-0.3mm
B	0.20mm Min.
G	

Temperature Characteristic

C0G (-55 to 125 degC 0+/-30ppm/degC)

Rated Voltage

3F (3000Vdc)

Capacitance

330pF

Capacitance Tolerance

K (+/-10%)

Q Factor

1000 Min.

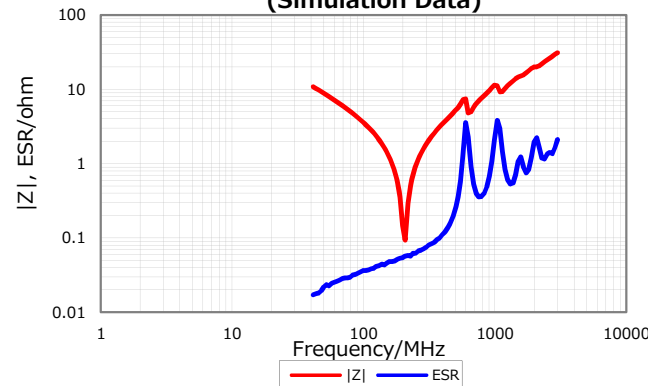
Insulation Resistance

10Gohm Min

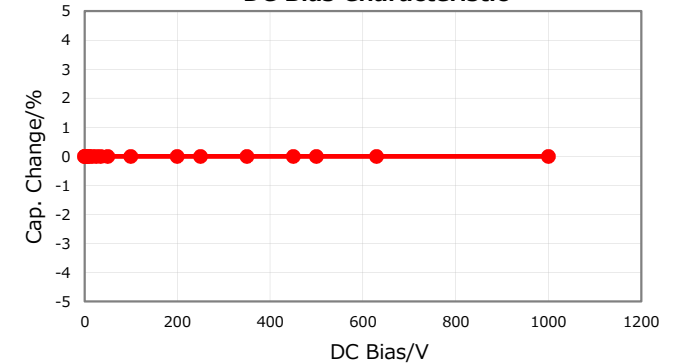
AEC-Q200

Yes

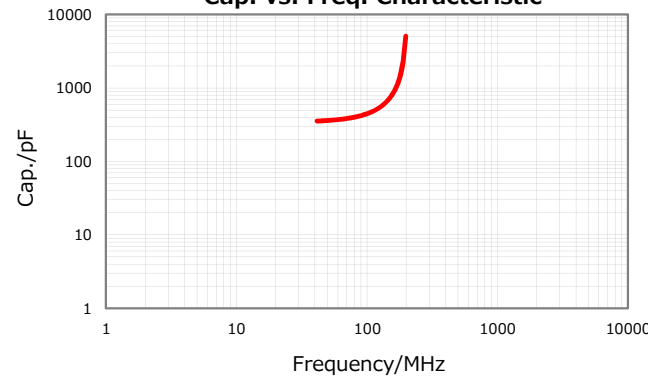
|Z|, ESR vs. Freq. Characteristics (Simulation Data)



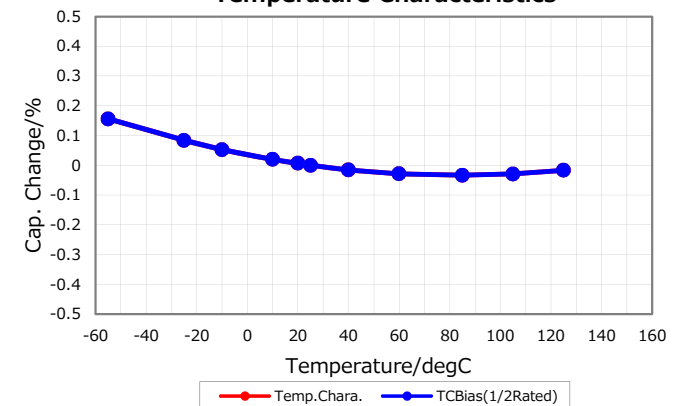
DC Bias Characteristic



Cap. vs. Freq. Characteristic



Temperature Characteristics



Characterization Sheet (Multilayer Ceramic Chip Capacitors)



All specifications are subject to change without notice.

September 8, 2017