

PRODUCT CHANGE NOTIFICATION

NOTIFICATION DATE: October, 26th 2022

PRODUCT CHANGE NOTIFICATION: Resistive Joystick: M series, JC series, C series & S series.

SUMMARY OF CHANGES: Top push button of the handle E has been obsolete. Now being replaced by an APEM switch 9633 series.

IMPACT OF CHANGES: Change in form factor, actuation travel and tactile feedback.

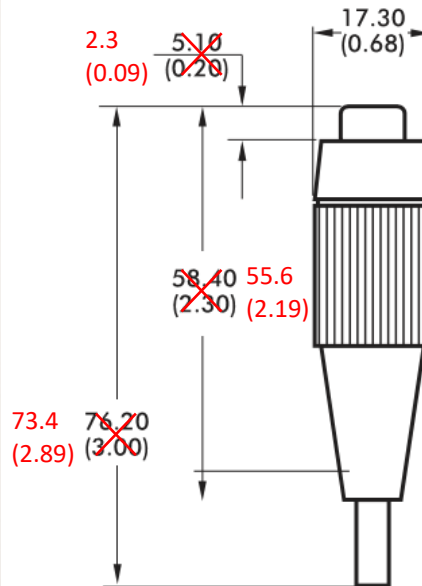
CHANGE DATES: Effective immediately

LEAD TIME: ~32 weeks.

Dear Valued Customer:

This letter is to inform you of a change to your resistive joystick with E handle. Due to obsolescence from the current switch manufacturer, APEM must find an alternative to the switch.

- **The replacement APEM switch has a lower actuator than the old one (cf image below).**
- **The replacement APEM switch has a lower tactile feedback (way more subtle than the obsolete switch).**
Height is reduced from 0.2” to 0.09”
- **The replacement APEM switch has a lower actuation travel.**
Actuation travel reduced from 0.08” to 0.035”
- **Electrical spec changes slightly**
Old switch is 100mADC – 50VDC max, APEM replacement switch is 100mADC – 30VDC max.



E



Please review the table below for affected part numbers.

AFFECTED PART NUMBER

| | |
|--------------|------------------|
| M21L0E1M | C2000E1F |
| S20L0E1N | S20L0E1J |
| S20L0E1P | C2000E1F |
| JC21L0E1 | M21L0E1P |
| JC21L0E2 | M21L0E1R |
| M21F0E1M | C131031 |
| M21L0E1P | M21C0E1P75128356 |
| M21L0E1R | M21L0E1RX126137 |
| S20L0E1P | S20L0E1J122805 |
| M21L0E1P | USBC127833 |
| M21L0E1R | C2000E1F |
| S20C0E1J | M21L0E1M |
| S20L0E1P | M21L0E1P |
| S20L0E1M | S20L0E1J |
| S20L0E1N | S20L0E1M |
| M21L0E1P1939 | S20L0E1P |
| S20L0E1R | M21L0E1R |
| M21L0E1M | |
| C2000E1F | |
| S20L0E1J | |

Thank you for supporting APEM, Inc. Should you have any questions or concerns about this notice, contact your APEM representative or reach me at antonin.deschamps@apem.com.

Best regards,

Antonin Deschamps,
Product Manager.