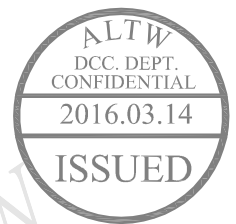
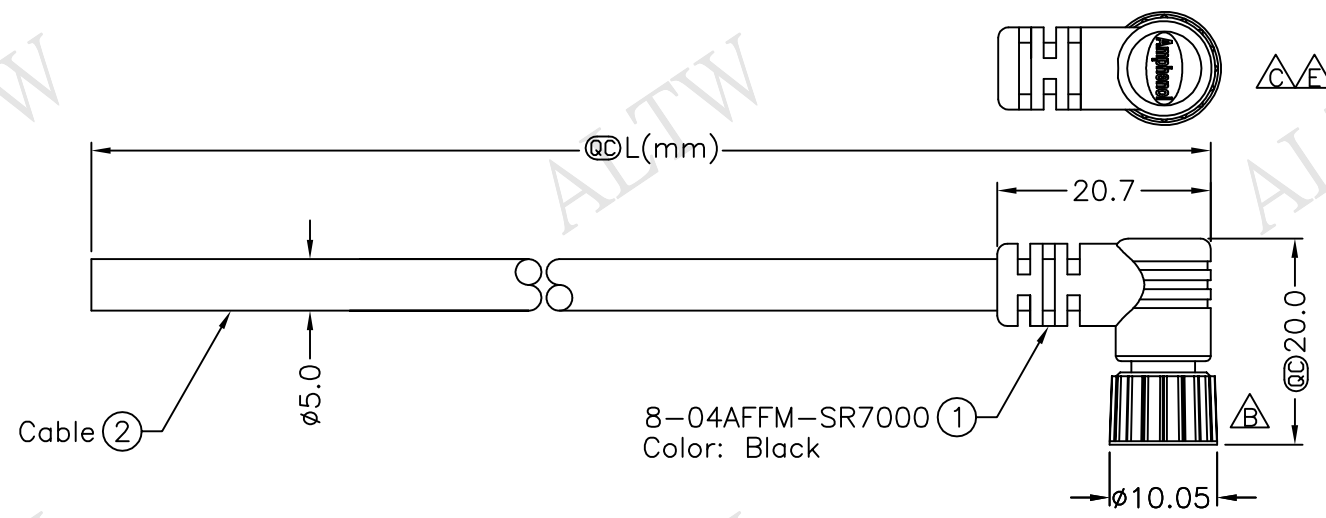
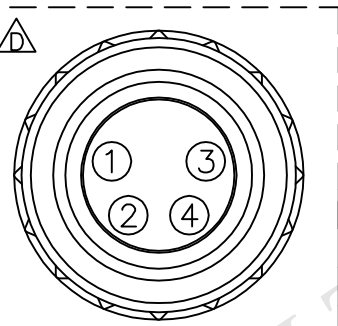


REV.	ECN NO.	DATE	SIGN	DESCRIPTION
C	LEN-780059	2007/06/06	Kenneth	Add Projection. Apply New Format. Modify Pin-Out
D	LEN-920235~238	2009/02/06	Vicky	Update the drawing
E	LEN1630158~161	2016/03/07	Vicky	Update Logo



8-04AFFM-SR7AXX
 XX:01~99Meters
 01:01Meter
 02:02Meters
 :
 :
 99:99Meters
 Cable Length(L):01~99Meters

- Note:
- * @C Important Dimension
 - * Waterproof Rate: IP67
 - * Connector: PU, Black
 - * Female Pin: Copper Alloy, Gold Plated
 - * Cable: UL2464 22AWG*4C+Talcum, Black, PVC Jacket, UV Resistant, OD=5.0mm
 - * Cable Length Tolerance:
 - 01M:±40mm
 - 02M~05M:±60mm
 - 06M~10M:±100mm
 - 11M~30M:±200mm
 - 31M~99M:±500mm



Pin Assignments
Front View

4	Black	黑	△
3	Blue	藍	△
2	White	白	△
1	Brown	棕	
Conn.	Wire Color		
	Pin Out		

UNIT:mm	
TOLERANCE	±0.5 mm

TITLE	M8 Conn Cable Screw 4P F Conn F Pin		
SCALE	Free	SHEET	1 OF 1
REV.	E	SIZE	A4
		@C	:Inspection Item

Amphenol LTW
 安費諾亮泰企業股份有限公司

ITEM NO	8-04AFFM-SR7AXX	DRAWN BY	Vicky	DATE	2016/03/07
DWG NO	8-04AFFM-SR7AXX	CHECKED BY	Rita	DATE	2016/03/07
CUSTOMER	ALTW	APPROVED BY	Lisa	DATE	2016/03/07

THIS DOCUMENT IS SUBJECT TO CHANGE WITHOUT NOTICE. IT IS CONFIDENTIAL AND A PROPERTY OF Amphenol LTW. DISCLOSURE TO THIRD PARTY HAS TO BE AUTHORIZED BY Amphenol LTW.