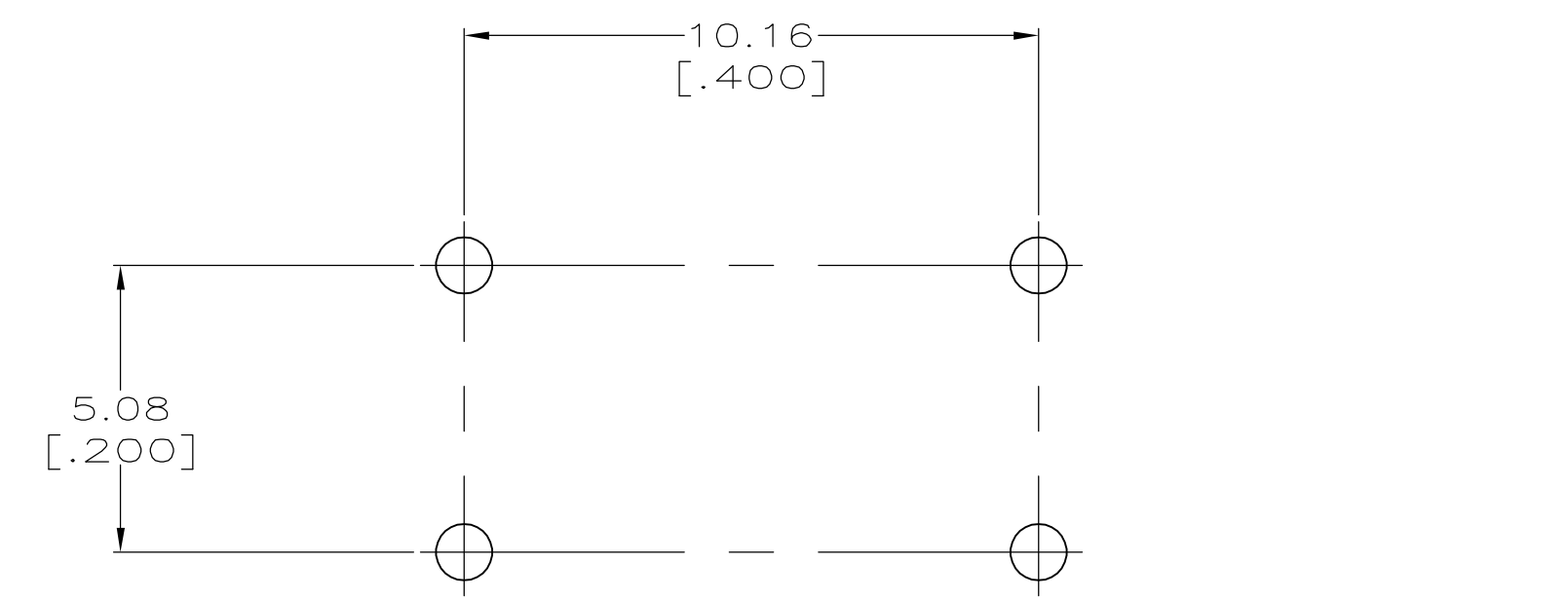
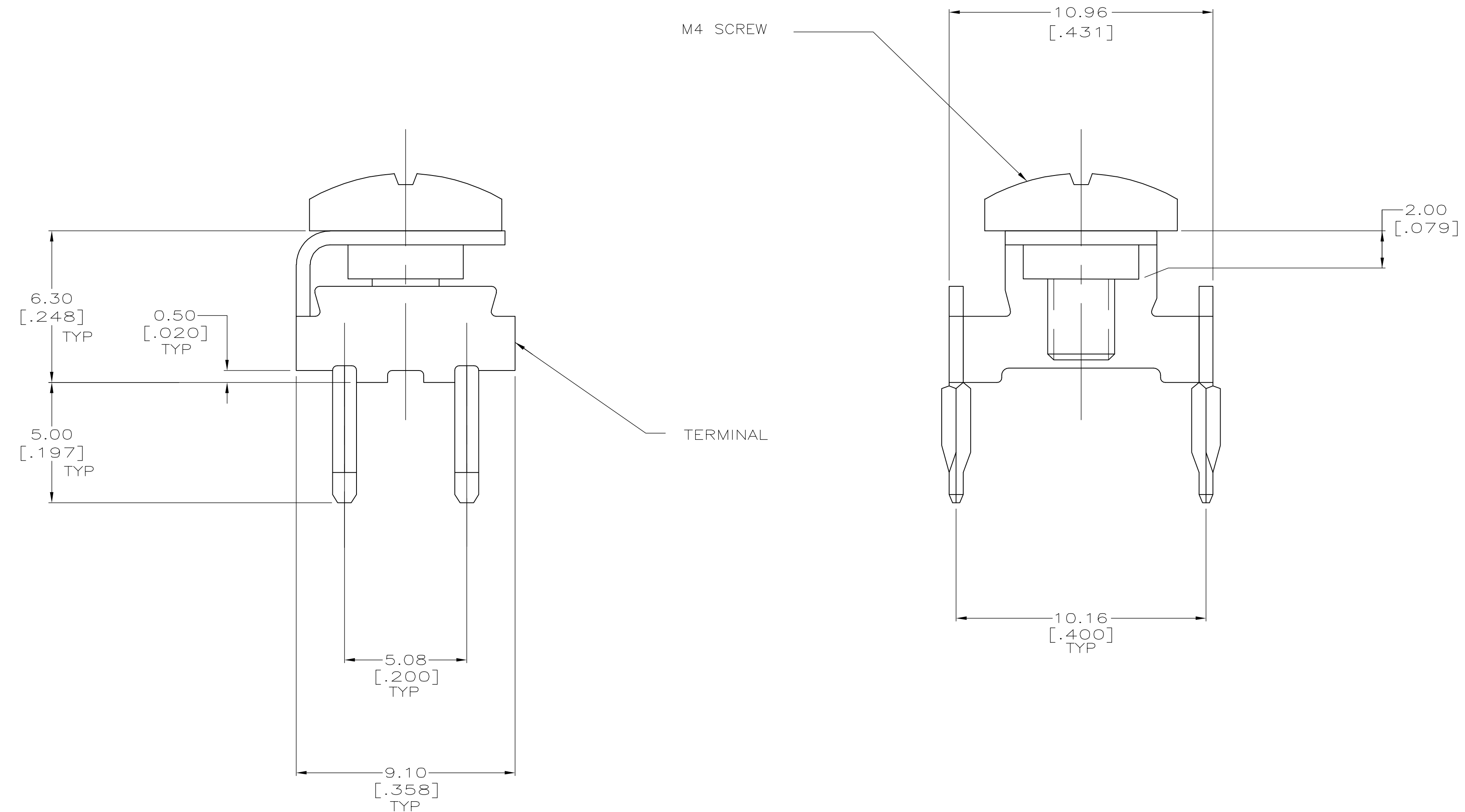


| LOC | | DIST | | REVISIONS | | | |
|-----|-----|-------------------------|----------|-----------|------|--|--|
| P | LTR | DESCRIPTION | DATE | DWN | APPD | | |
| A | | REV PER EC 0512-0573-04 | 05-05-05 | JA | SF | | |



RECOMMENDED P.C. BOARD LAYOUT

- △ TERMINAL: PHOSPHOR BRONZE; SCREW: STAINLESS STEEL.
- △ 2.54μm [.000100] MIN MATTE TIN OVER 1.25μm [.000050] MIN NICKEL.
- △ PASSIVATED.

| PLATED THROUGH HOLE SPECIFICATION | | THIS DRAWING IS A CONTROLLED DOCUMENT. | | DWN J. ALCORTA - DOCK5 05-05-05 | | CHK A. FRANTUM 05-05-05 | | APVD S. FLICKINGER 05-05-05 | | NAME | | FINISH | | PART NUMBER | | | |
|-----------------------------------|-----------|----------------------------------------|-------------|----------------------------------------|--|-------------------------|--|-----------------------------|--|------------------------------|--|---------------------------|--|------------------------|--|---|--|
| DRILLED HOLE | 1.6±0.025 | DIMENSIONS: | mm [INCHES] | TOLERANCES UNLESS OTHERWISE SPECIFIED: | | 0 PLC ± - | | 1 PLC ± - | | 2 PLC ± 0.13 [005] | | 3 PLC ± - | | 4 PLC ± - | | | |
| Cu- THICKNESS | 25-75 μm | | | | | ANGLES | | ± - | | APPLICATION SPEC | | SIZE | | CAE CODE | | | |
| Sn- THICKNESS | 4-10 μm | | | | | | | | | WEIGHT | | A1 | | 00779 | | | |
| FINISHED HOLE | 1.39-1.54 | | | | | | | | | CUSTOMER DRAWING | | SCALE | | 8:1 | | | |
| FINISHED HOLE (AFTER REFLOW) | 1.36-1.54 | | | | | | | | | DRAWING NO | | G=5213815 | | RESTRICTED TO | | | |
| | | | | | | | | | | Tyco Electronics Corporation | | Harrisburg, PA 17105-3608 | | POWER TAP ASSY, 4 POSN | | | |
| | | | | | | | | | | SHEET | | 1 OF 1 | | REV | | A | |