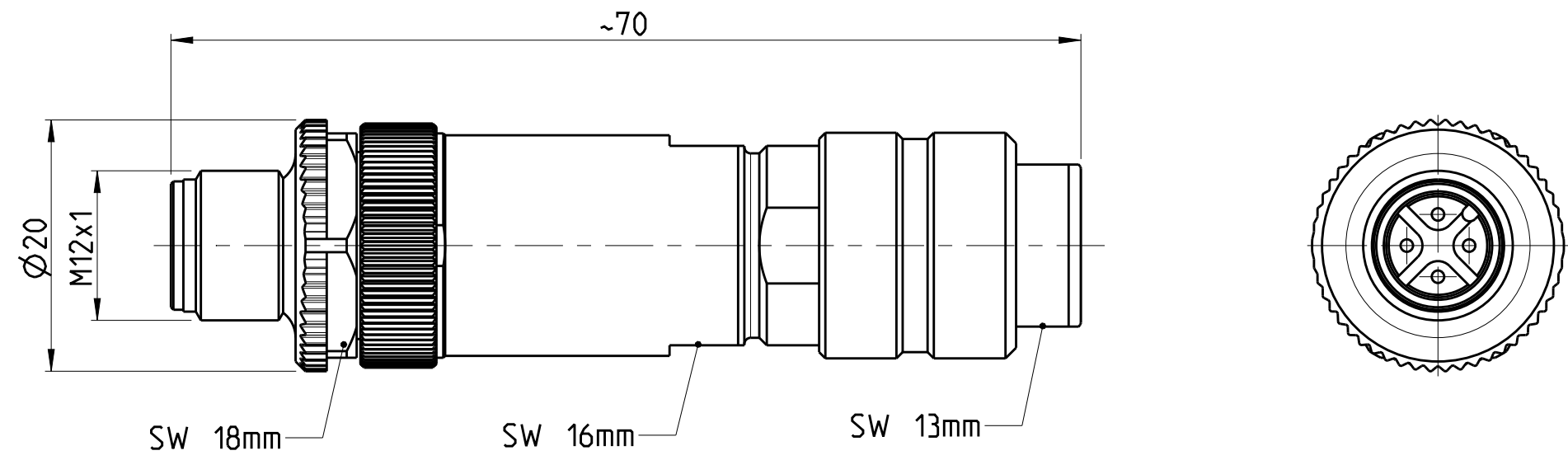


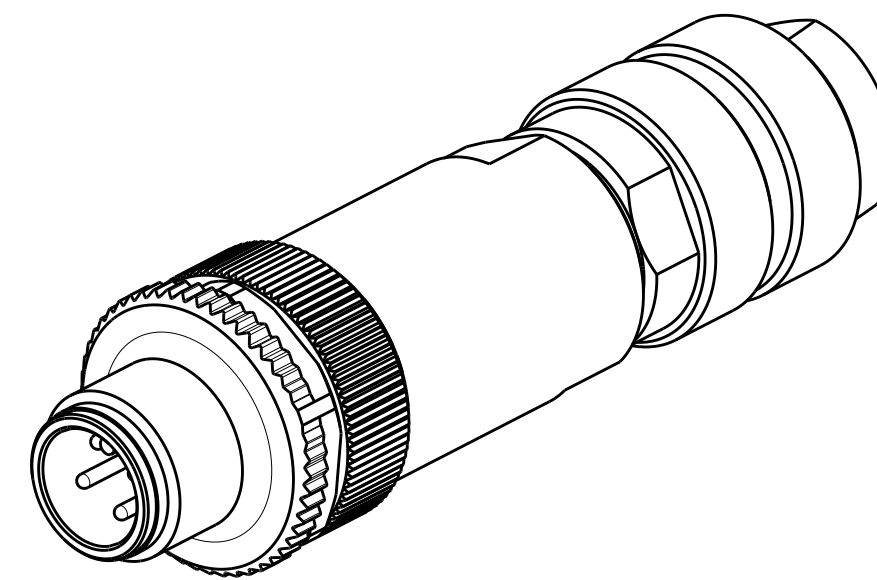
REVISIONS		DATE	DWN	APVD
ÄNDERUNGEN				
P	LTR	DESCRIPTION		
BESCHREIBUNG				
A2		DESCRIPTION CORRECTED FROM SOLDER TO SCREW TERMINAL IN TITLE BLOCK	13NOV2014	CR JK
A3		1-2271111-1, 1-2271111-2, 2-2271111-1, 2-2271111-2, 3-2271111-1, 8-2271111-1 DISCONTINUED	23SEP2017	TJ NG

1 MATERIAL: ITEM NO. 1: HOUSING - ZINC DIE CASTING, NICKEL PLATED
 ITEM NO. 2: CONTACT BODY - PA
 ITEM NO. 3: CONTACT - CuZn
 CONTACT FINISH - Au

- 2 ALL DIMENSIONS ARE FOR NOMINAL REFERENCE ONLY UNLESS OTHERWISE STATED
- 3 MEASUREMENT REFERENCE ONLY
- 4 PACKAGING: 1 PIECE IN A BAG



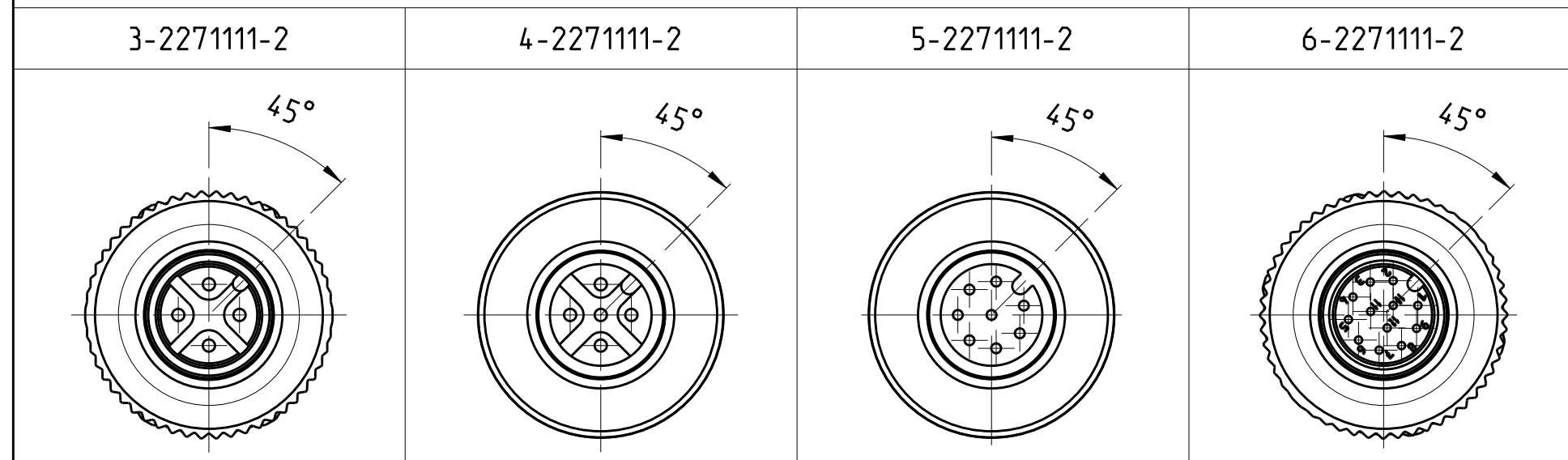
TECHNICAL DATA	3-2271111-2	4-2271111-2	5-2271111-2	6-2271111-2
RATED VOLTAGE	250V	125V	60V	30V
RATED IMPULSE VOLTAGE	2500V	1500V	800V	500V
POLLUTION DEGREE	3	3	3	3
OVERVOLTAGE CATEGORY	II	II	II	II
MATERIAL GROUP	II	II	II	II
RATED CURRENT	4A	4A	2A	2A
VOLUME RESISTIVITY	≤ 3mΩ	≤ 3mΩ	≤ 3mΩ	≤ 3mΩ
DEGREE OF PROTECTION	IP67	IP67	IP67	IP67
UPPER TEMPERATURE	+85 °C	+85 °C	+85 °C	+85 °C
LOWER TEMPERATURE	-40 °C	-40 °C	-40 °C	-40 °C



3-2 AS SHOWN WIE GEZEICHNET

6-8	24 / 0.25mm ²	⚠	12	6-2271111-2
5-8	20 / 0.50mm ²	⚠	8	5-2271111-2
5-8	18 / 0.75mm ²	⚠	5	4-2271111-2
5-8	18 / 0.75mm ²	⚠	4	3-2271111-2
CABLE FEED-THROUGH mm	WIRES AWG / mm ²	MATERIAL	NUMBER OF POLES	TE-PART-NO.

PIN ARRANGEMENT A-CODING



SIZE ISO 14405 (E)

DIESE ZEICHNUNG IST EIN KONTROLLIERTES DOKUMENT. BEMASSUNGEN UND TOLERANZEN GEMAESS GPS (ISO STANDARDS).

THIS DRAWING IS A CONTROLLED DOCUMENT. DIMENSIONING AND TOLERANCING PER GPS (ISO STANDARDS).

DIMENSIONS: MASSE/WEITEN: (MM)	TOLERANCES UNLESS OTHERWISE SPECIFIED: ALLGEMEINTOLERANZEN
0 PLC ±	0 PLC ±
1 PLC ±	1 PLC ±
2 PLC ±	2 PLC ±
3 PLC ±	3 PLC ±
4 PLC ±	4 PLC ±
ANGLES/WINKEL ±	ANGLES/WINKEL ±
FINISH/OBERFLÄCHE/FARBE	FINISH/OBERFLÄCHE/FARBE

MATERIAL: -

DWN YASHKUMAR 04 JUN 2014	CHK M. STRELOW 04 JUN 2014	APVD C. SCHREITLINGER 04 JUN 2014	NAME
			TE Connectivity
M12 MALE STRAIGHT, FIELD INSTALLABLE, SHIELDED CONNECTOR, SCREW TERMINALS, A-CODING			
SIZE A2	CAGE CODE 00779	DRAWING NO. C-2271111	RESTRICTED TO NUR FÜR -
Customer Drawing		/KUNDENZEICHNUNG	SCALE MASSSTAB 2:1 SHEET BLATT 1 OF 1 REV A3