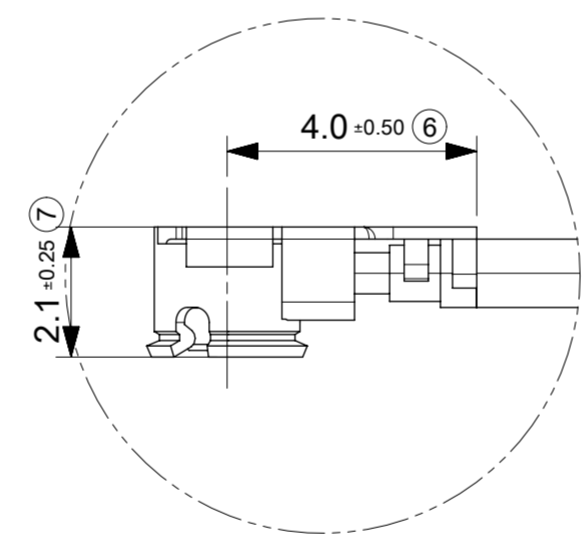
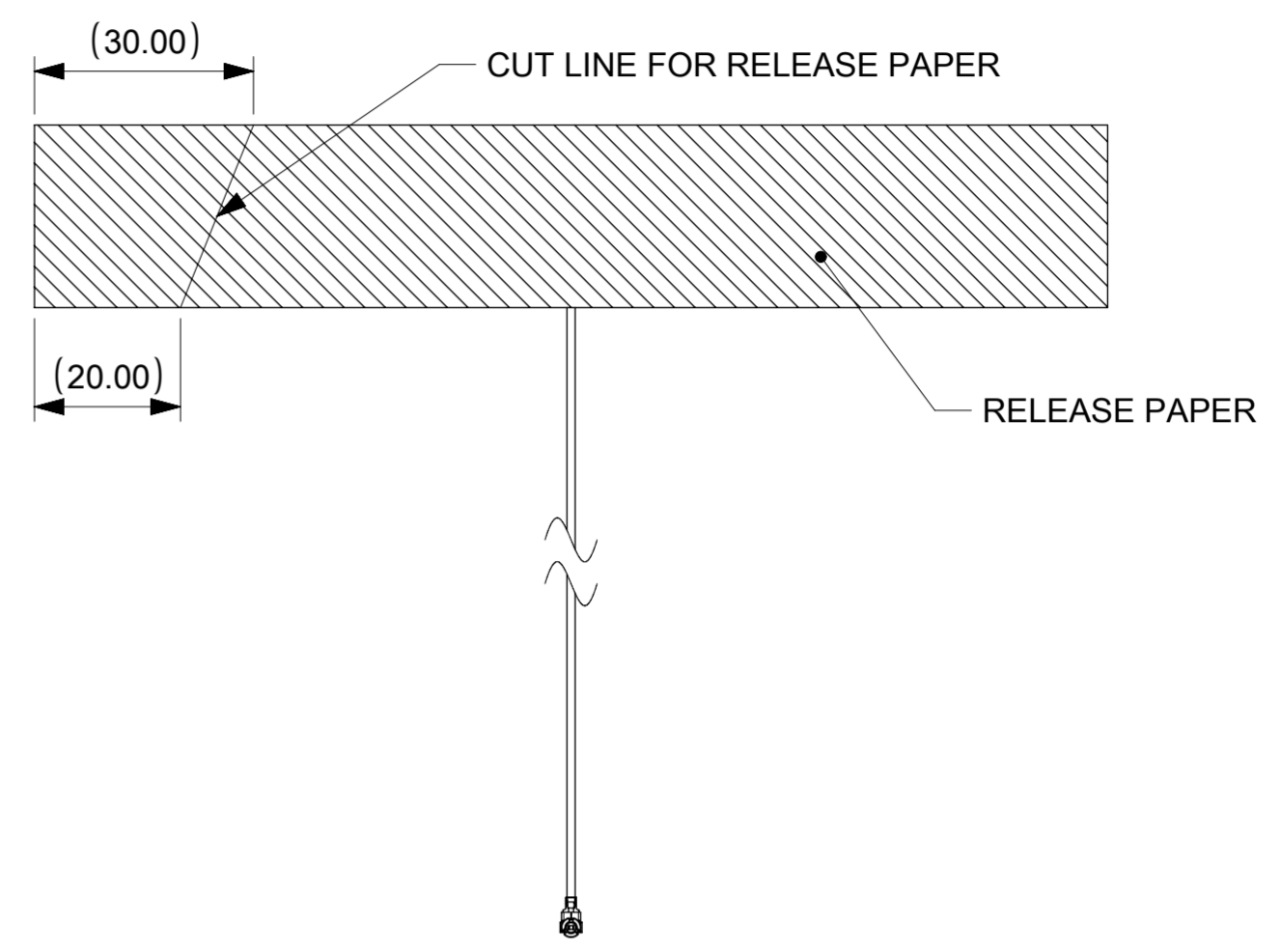
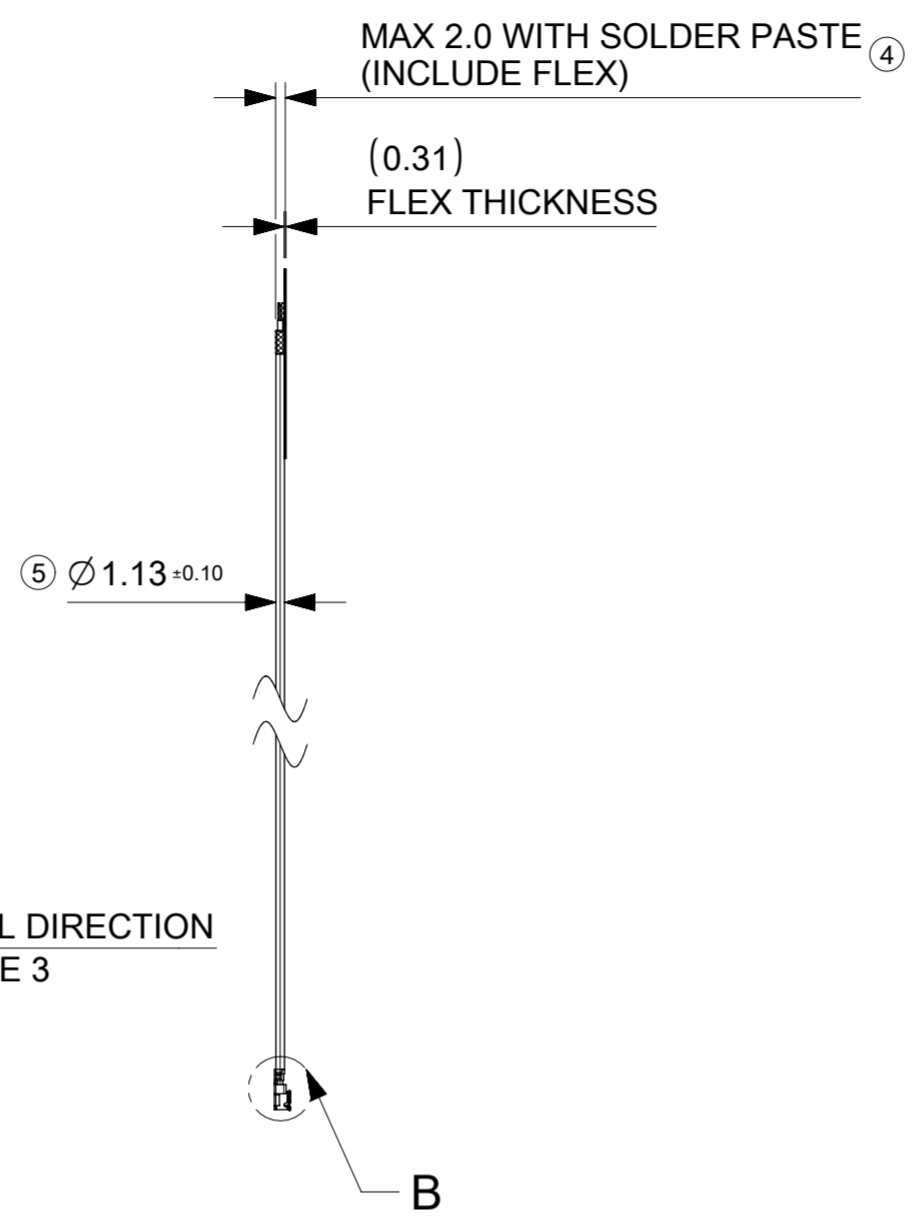
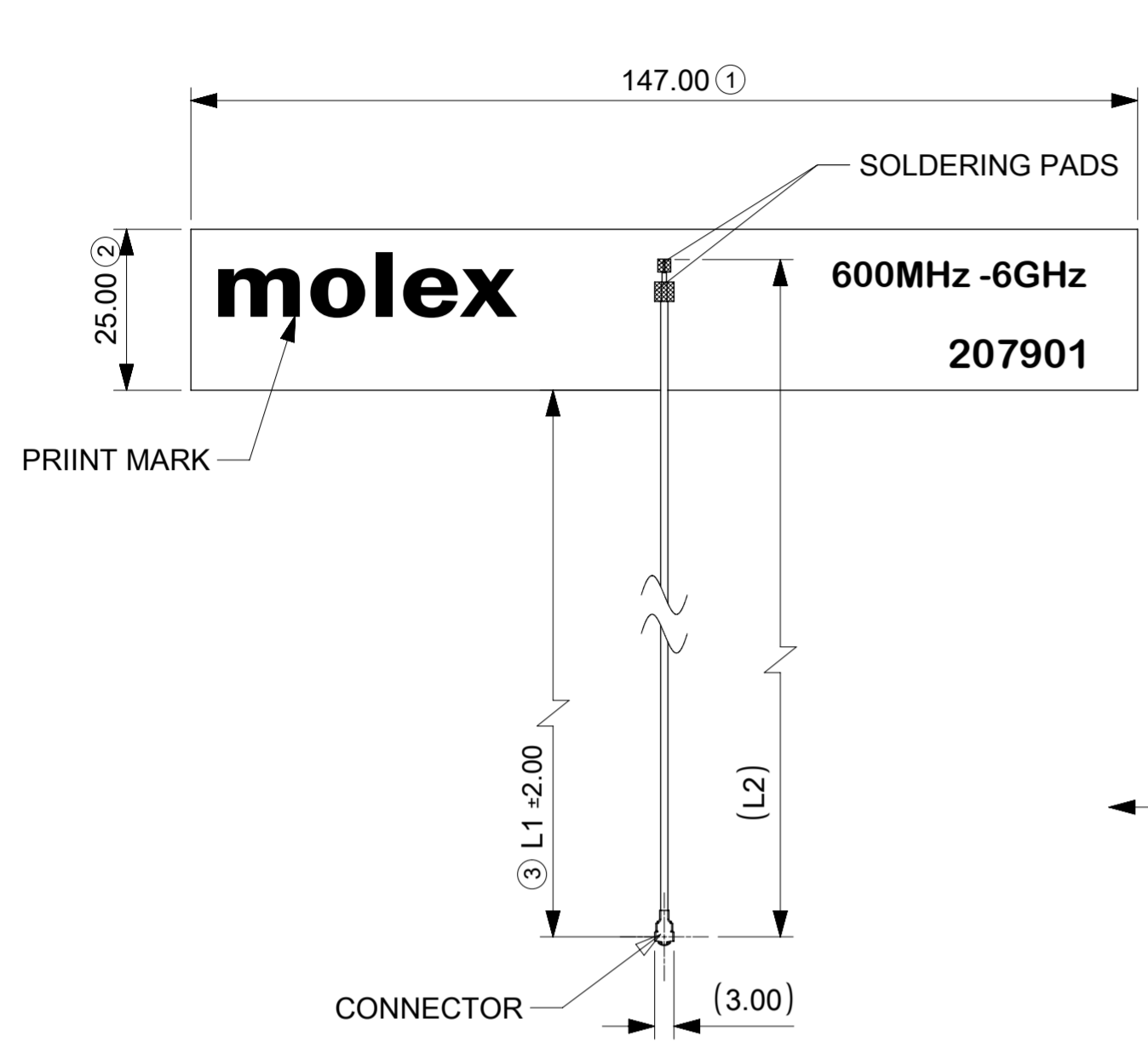


REV	DATE	DESCRIPTION
A	2022/05/11	NEW RELEASE



DETAIL B
 SCALE 8:1

- NOTES:
 1. MATERIAL
 FLEX SOLDER MASK BLACK IN COLOR.
 PRINT TEXT WHITE IN COLOR.
 CABLE: Ø1.13MM, BLACK IN COLOR.
 CONNECTOR: MHF-1 PLUG AU TYPE (P/N: 20278-112R-13).
 ADHESIVE: TESA 68537. THICKNESS: 100UM.
 2. FOR PULL TEST, CAN NOT LIFT UP IN THE VERTICAL DIRECTION.
 3. THE CONNECTOR WILL BE PROTECTED WITH A CAP
 4. APPLICATION SPEC PLEASE REFER TO AS OF AS-2079010100.
 5. PRODUCT SPEC PLEASE REFER TO PS OF PS-2079019100.

ITEM	MATERIAL NO.	CABLE LENGTH"L1"	CABLE LENGTH"L2"
1	2079019050	29.70mm	50mm
2	2079019100	79.70mm	100mm
3	2079019150	129.70mm	150mm
4	2079019200	179.70mm	200mm
5	2079019250	229.70mm	250mm
6	2079019300	279.70mm	300mm

THIS DRAWING CONTAINS INFORMATION THAT IS PROPRIETARY TO MOLEX ELECTRONIC TECHNOLOGIES, LLC AND SHOULD NOT BE USED WITHOUT WRITTEN PERMISSION

DIMENSION UNITS mm	SCALE 1:1	CURRENT REV DESC:	molex		
GENERAL TOLERANCES (UNLESS SPECIFIED)		EC NO: 706413			
ANGULAR TOL ± 2.0°	4 PLACES ±	DRWN: KCHENG06 2022/05/11	PRODUCT CUSTOMER DRAWING		
3 PLACES ± 0.2	2 PLACES ± 0.25	CHK'D: HORACM1 2022/05/13	DOCUMENT NUMBER		
1 PLACE ± 0.3	0 PLACES ± 0.5	APPR: HORACM1 2022/05/13	2079019100		
DRAFT WHERE APPLICABLE MUST REMAIN WITHIN DIMENSIONS	THIRD ANGLE PROJECTION	DRAWING	SERIES	MATERIAL NUMBER	CUSTOMER
		A2-SIZE	207901	SEE TABLE	GENERAL MARKET
					DOC TYPE DOC PART REVISION
					PSD 000 A
					SHEET NUMBER
					1 OF 1