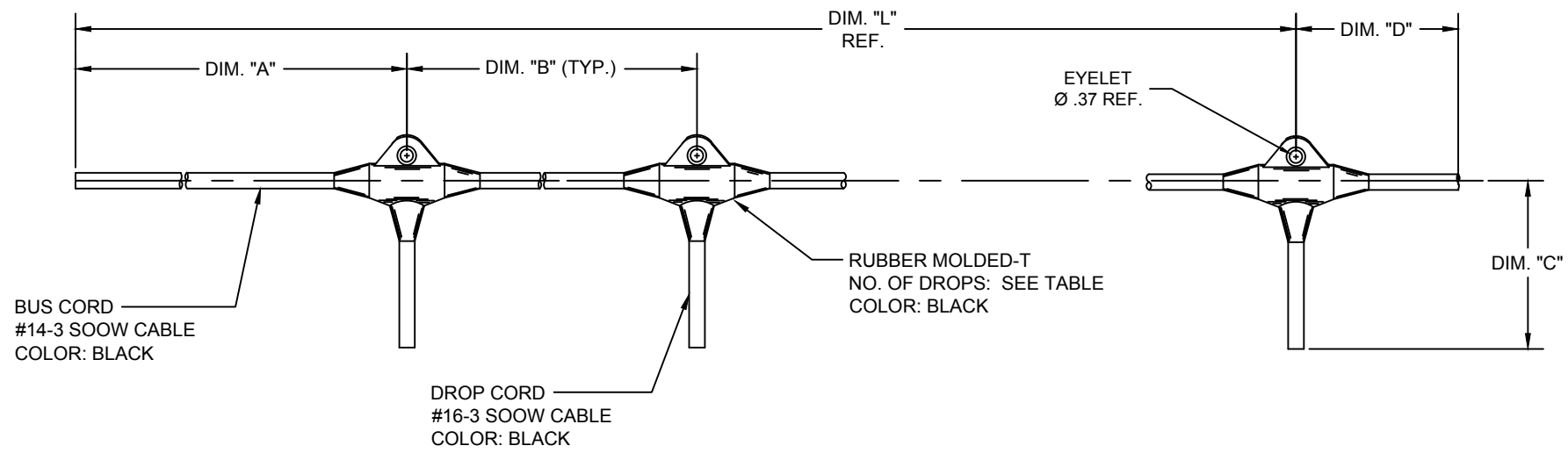


MATERIAL NO.	PART NO.	DESCRIPTION	NO. OF DROPS	DIM. "L" REF.	DIM. "A"	DIM. "B"	DIM. "C"	DIM. "D"
1301060182	130106-0182	5-LANTERN, MOLDED TEE CORDSET	5	65'	25'±8"	10'±2"	3'±2"	0
1301060183	130106-0183	10-LANTERN, MOLDED TEE CORDSET	10	115'	25'±8"	10'±2"	3'±2"	0
1301060184	130106-0184	5-LANTERN, MOLDED TEE CORDSET W/ TAIL	5	65'	25'±8"	10'±2"	3'±2"	10'±8"
1301060185	130106-0185	10-LANTERN, MOLDED TEE CORDSET W/ TAIL	10	115'	25'±8"	10'±2"	3'±2"	10'±8"
1301060190	130106-0190	8-LANTERN, MOLDED TEE CORDSET	8	170'	100'±12"	10'±2"	2'±2"	0
1301060193	130106-0193	5-LANTERN, MOLDED TEE CORDSET	5	140'	100'±12"	10'±2"	2'±2"	0
1301060194	130106-0194	10-LANTERN, MOLDED TEE CORDSET	10	190'	100'±12"	10'±2"	2'±2"	0



ADDED #1301060193 & -194 EC NO: IFC2019-0161 DRWN: BPATTERS 10/5/18 CHKD: BPATTERS 2018/08/15 APPR: HKNEELAN 2013/12/13	QUALITY SYMBOLS	GENERAL TOLERANCES (UNLESS SPECIFIED)		DIMENSION STYLE INCH		SCALE NTS	DESIGN UNITS INCH	THIRD ANGLE PROJECTION	
	▽=0	mm	INCH	DRAWN BY	DATE	TITLE			
	∇=0	4 PLACES	±---	±---	HRUIZ01	2013/11/25	MOLDED TEE-DROP ASSEMBLY - BLACK		
		3 PLACES	±---	±.005	CHECKED BY	DATE	MOLEX INCORPORATED		
	2 PLACES	±---	±.010	APPROVED BY	DATE	MATERIAL NO. SEE TABLE			
	1 PLACE	±---	±.020	JFMURPHY	2013/12/13	DOCUMENT NO. SD-130106-040			
		ANGULAR ±1/2°		SIZE A		SHEET NO. 1 OF 1			
		DRAFT WHERE APPLICABLE MUST REMAIN WITHIN DIMENSIONS		THIS DRAWING CONTAINS INFORMATION THAT IS PROPRIETARY TO MOLEX INCORPORATED AND SHOULD NOT BE USED WITHOUT WRITTEN PERMISSION					