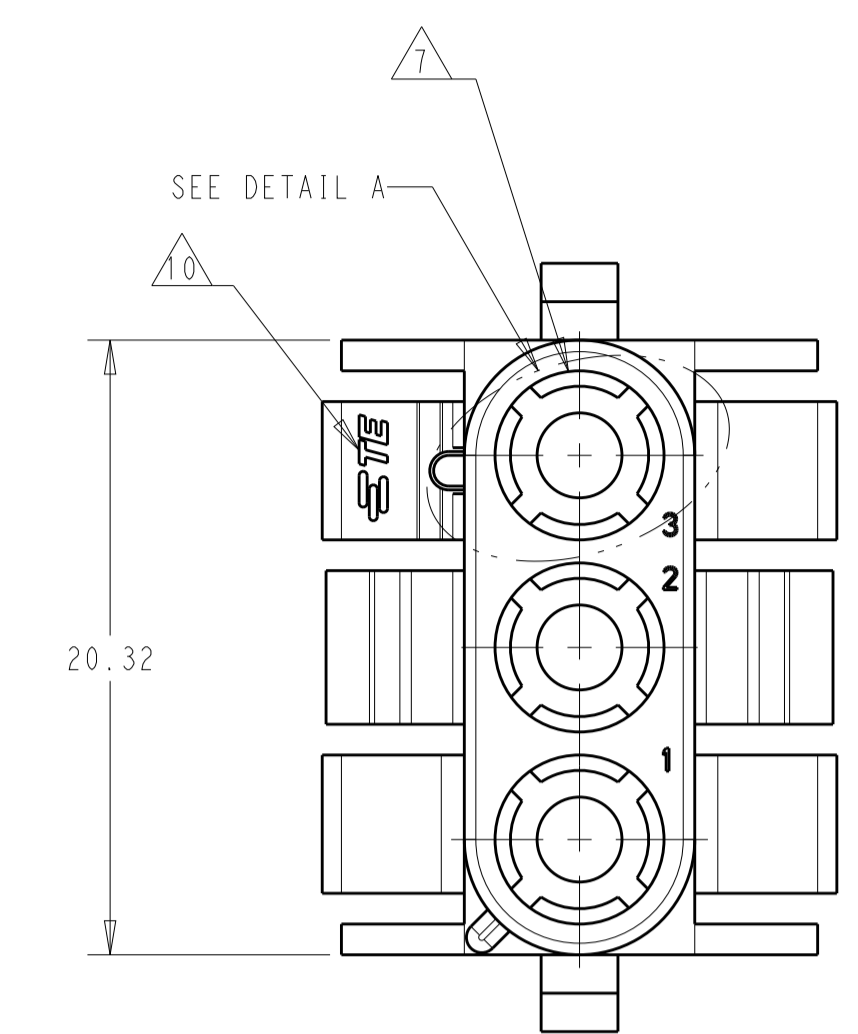
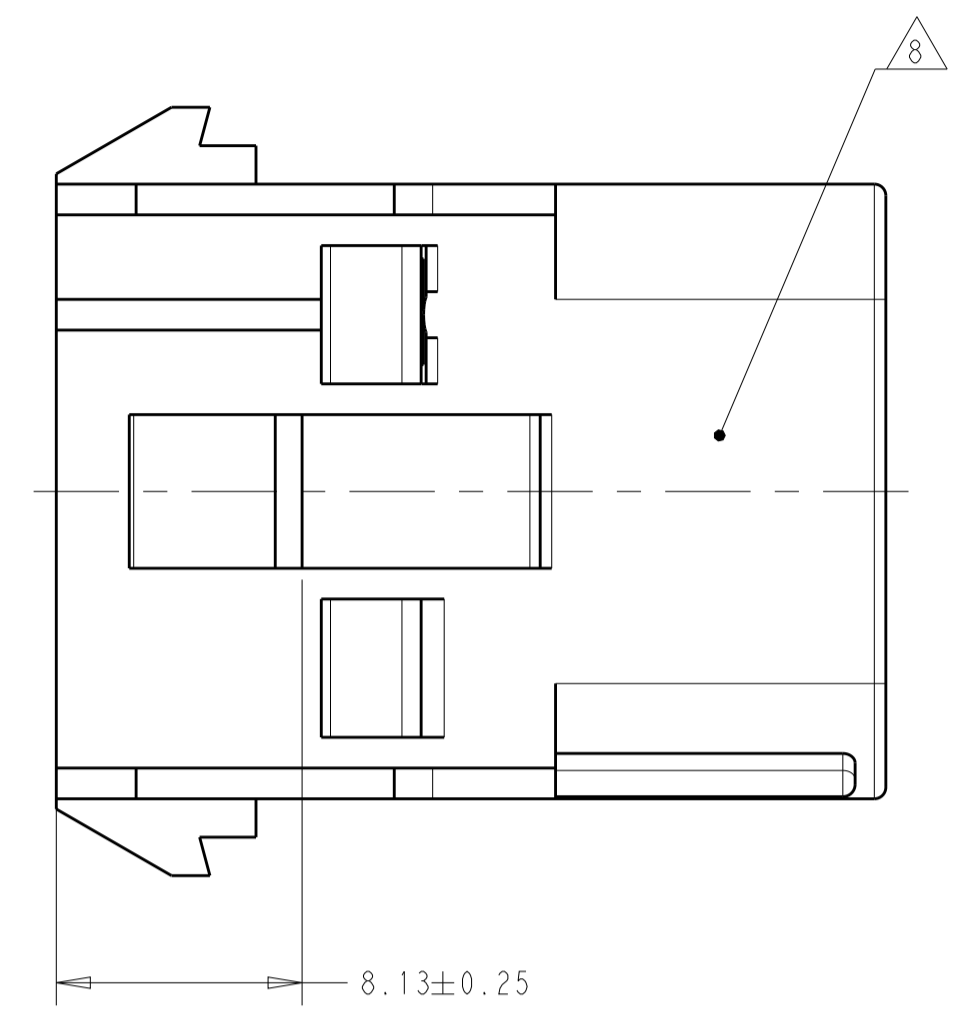
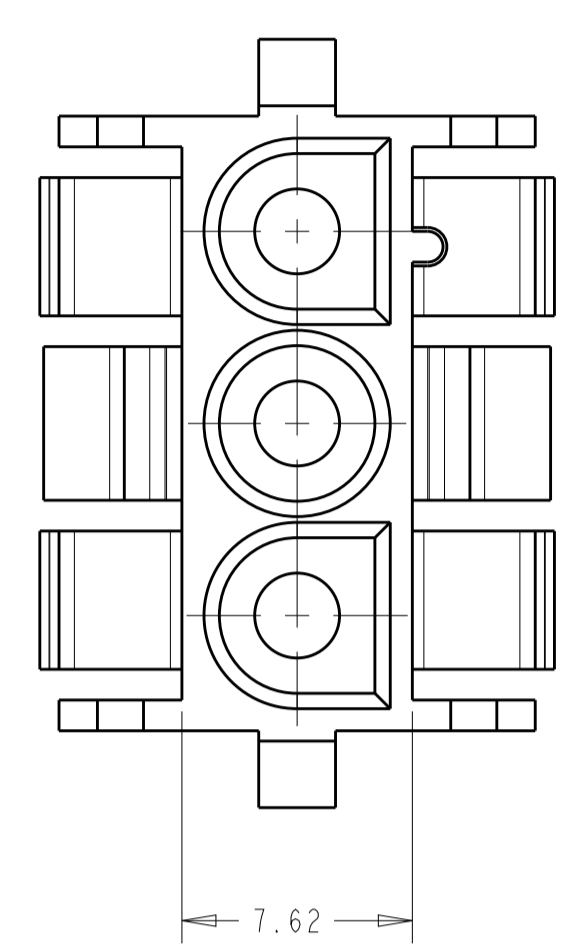
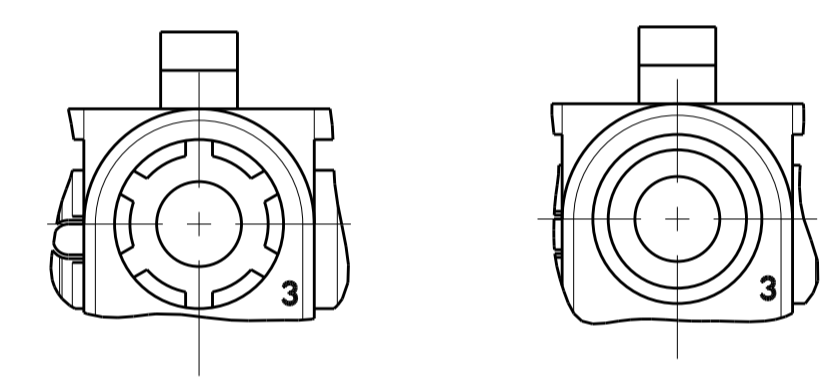


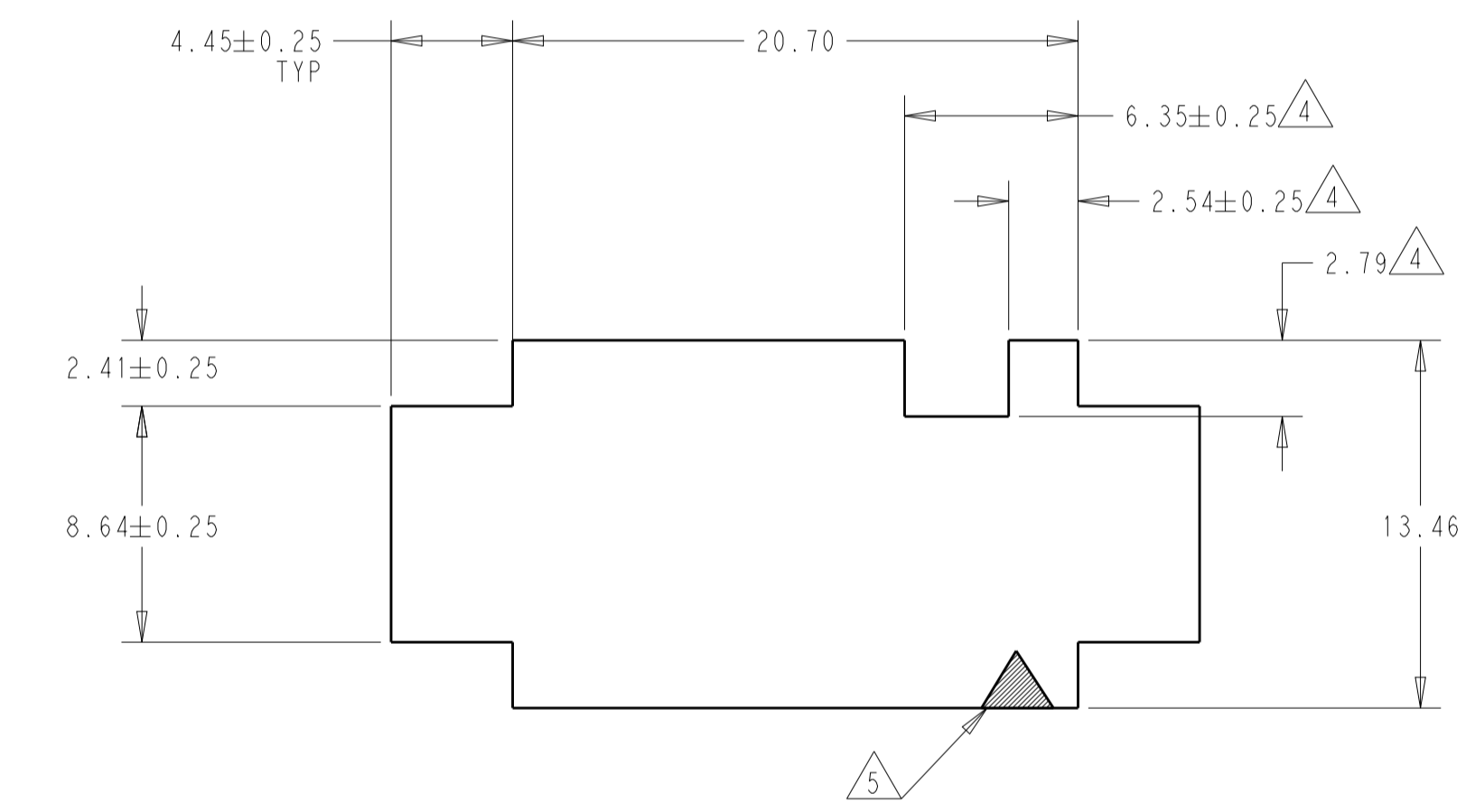
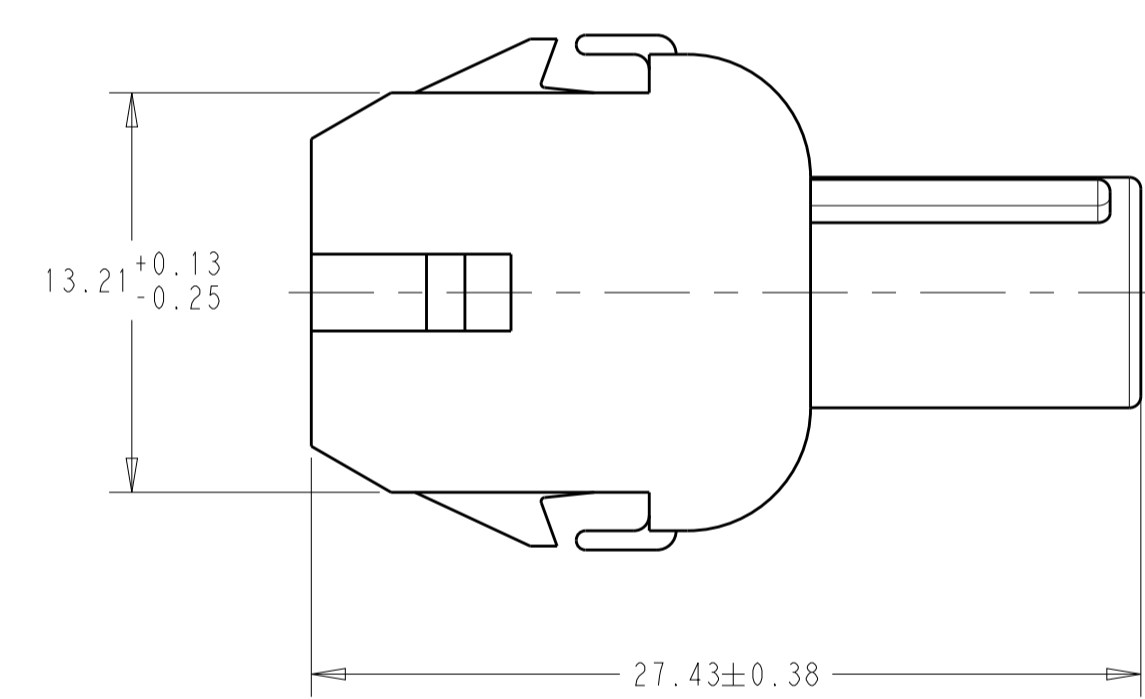
REVISIONS					
P.	LTN	DESCRIPTION	DATE	DMN	APVD
	ANS	REDRAWN PER ECO-19-005708	01MAY2019	BKW	SF



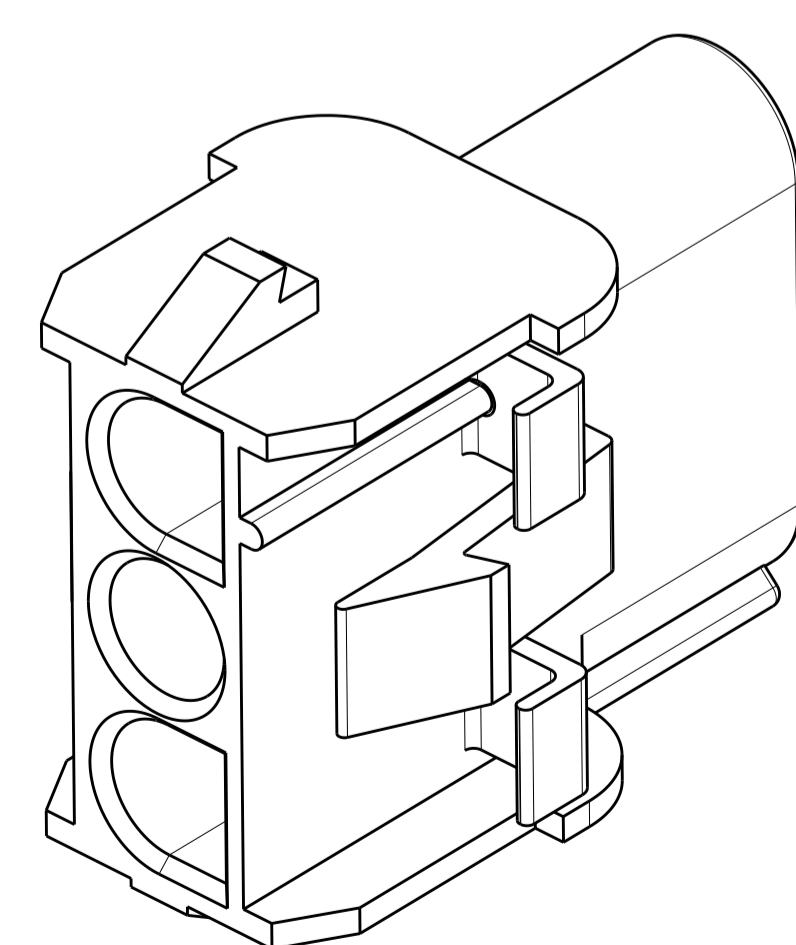
1. MATES WITH APPROPRIATE UNIVERSAL MATE-N-LOCK™ PLUG
2. RECOMMENDED PANEL THICKNESS 0.76 - 2.29.
3. PANEL MUST BE PUNCHED SO THAT THE HOUSING ENTERS THE PANEL IN THE SAME DIRECTION AS THE PUNCH.
4. OPTIONAL FOR KEYING HOUSING IN PANEL.
5. CIRCUIT NUMBER 1 LOCATION.
6. DIMENSIONS SHOWN REPRESENT PRODUCT IN DRY, AS MOLDED, CONDITION. ADDITIONAL 2% GROWTH DUE TO SUBSEQUENT MOISTURE ABSORPTION MAY OCCUR AND SHOULD BE ACCOUNTED FOR.
7. FOUR RIBS EQUALLY SPACED, NO SPECIFIC ORIENTATION. NO RIBS OR SIX RIBS EQUALLY SPACED, NO SPECIFIC ORIENTATION, OPTIONAL.
8. UNDERWRITERS RECOGNIZED COMPONENT LOGO AND CSA CERTIFICATION LOGO TO BE LOCATED ONCE EACH ON SIDE OF HOUSING.
9. OBSOLETE PARTS: OBSOLETE CIS STREAMLINING PER D.RENAUD/D.SINISI
10. TRADEMARK LOCATION: AMP OR TE



DETAIL A
OPTIONAL CONSTRUCTIONS



RECOMMENDED PANEL CUT OUT

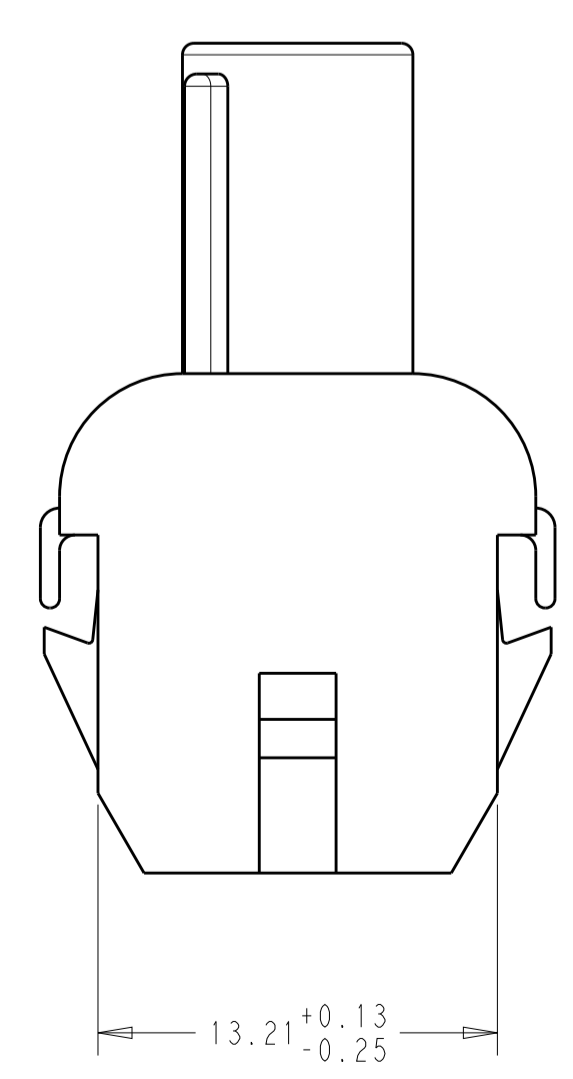
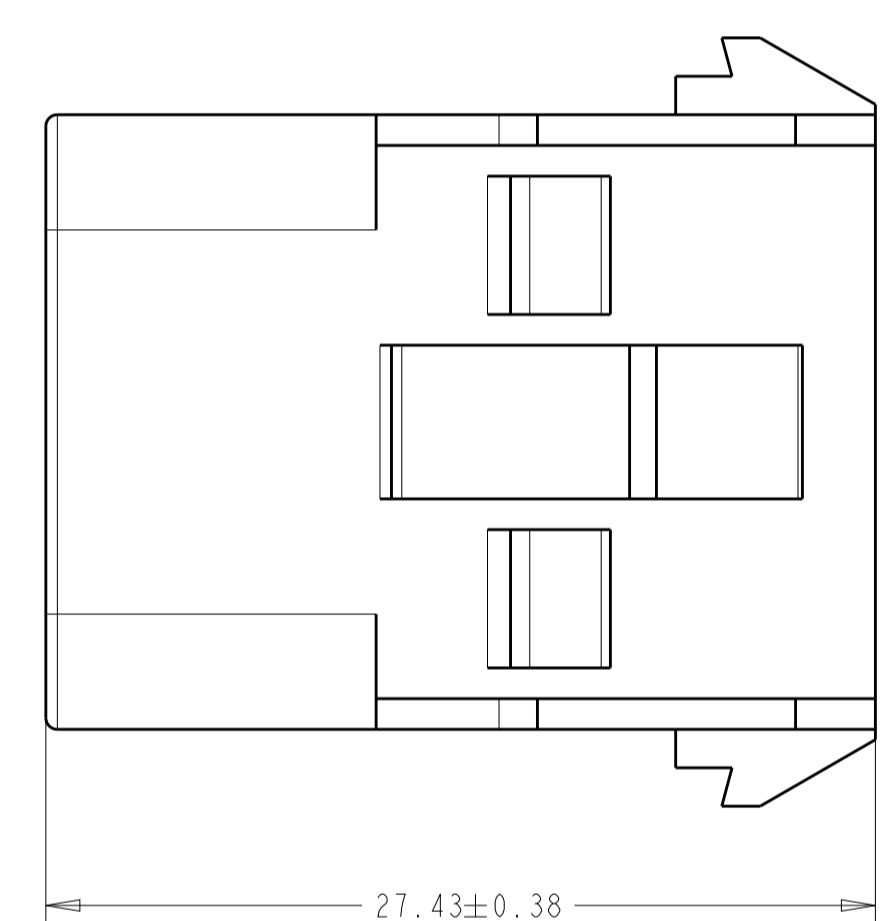
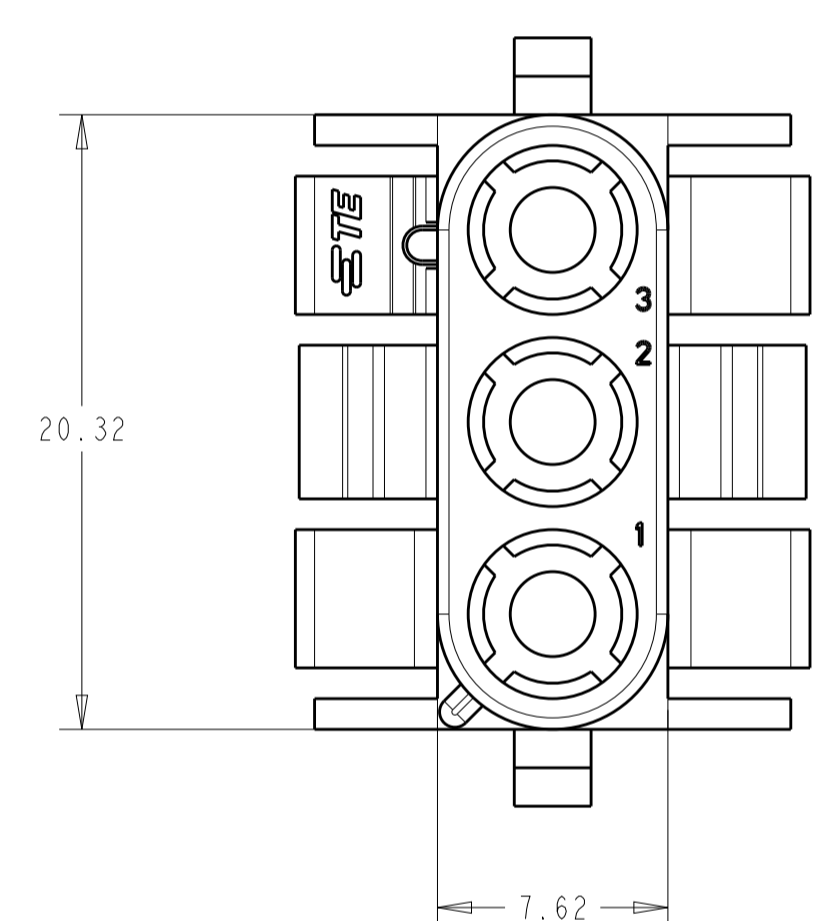
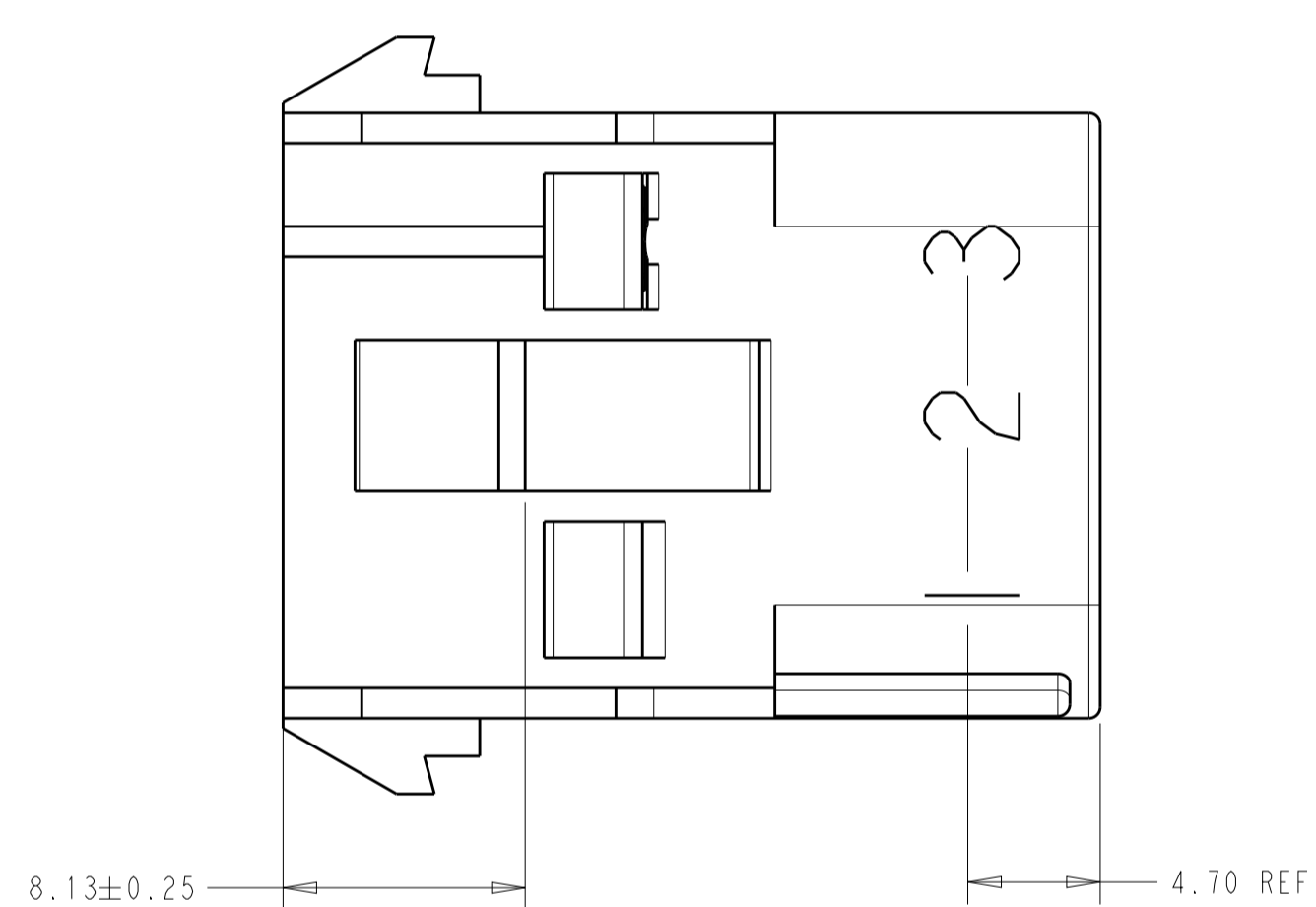
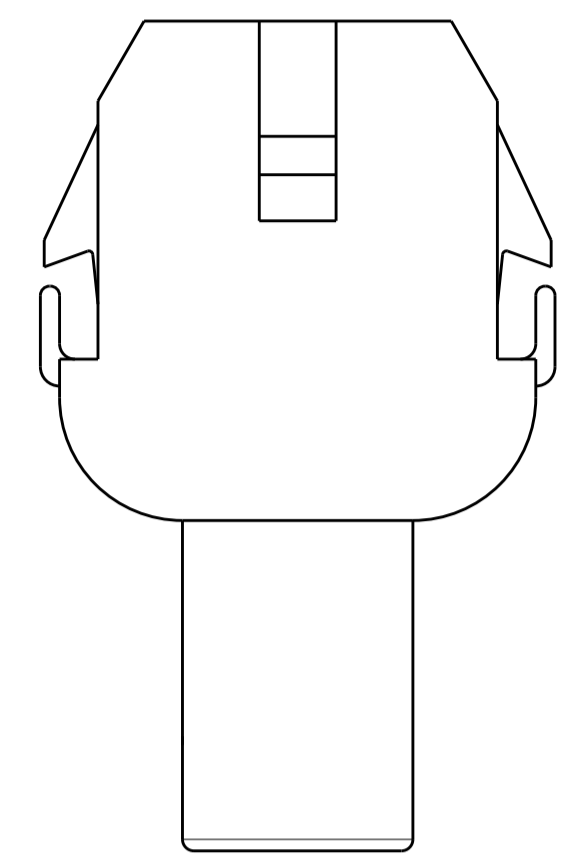


	BLACK	1-480701-9
	GRAY	1-480701-8
OBSOLETE	VIOLET	1-480701-7
	BLUE	1-480701-6
	GREEN	1-480701-5
	YELLOW	1-480701-4
OBSOLETE	ORANGE	1-480701-3
	RED	1-480701-2
	BROWN	1-480701-1
	NATURAL	1-480701-0
	COLOR	PART NUMBER

THIS DRAWING IS A CONTROLLED DOCUMENT.		DMN: B. WEAVER 01MAY2019	TE Connectivity
DIMENSIONS: mm		CHK: S. FERNANDES 01MAY2019	
TOLERANCES UNLESS OTHERWISE SPECIFIED:		APVD: T. BENCHOFF 01MAY2019	NAME: CAP, 3 CIRCUIT, UNIVERSAL MATE-N-LOCK
0 PLC	±	PRODUCT SPEC	
1 PLC	±	APPLICATION SPEC	
2 PLC	±	SIZE	
3 PLC	±0.13	CAGE CODE	
4 PLC	±	DRAWING NO	
ANGLES	40°/30°	RESTRICTED TO	
MATERIAL: NYLON UL94V-2		WEIGHT	
FINISH		CUSTOMER DRAWING	
		SIZE: A	SCALE: 4:1
		00779 ©=480701	SHEET 1 OF 2
			REV: AN5

REVISIONS				
P.	LTN	DESCRIPTION	DATE	APVD
-	-	SEE SHEET 1	-	-

1. STAMP NUMBERS 3.18 HIGH AT WIRE END OF HOUSING (12 POINT DAVID TYPE).
2. CHARACTERS TO BE STAMPED ON HOUSING IN A MANNER AS TO BE READ FROM WIRE END ONLY.
3. VIOLET, BLACK, BROWN, AND BLUE COLORED BLOCKS TO BE STAMPED WITH WHITE CHARACTERS. ALL OTHER COLORED BLOCKS TO BE STAMPED WITH BLACK CHARACTERS.



NATURAL	2-480701-0
COLOR	PART NUMBER

THIS DRAWING IS A CONTROLLED DOCUMENT.		DWN B. WEAVER 01MAY2019	
DIMENSIONS: mm		CHK S. FERNANDES 01MAY2019	
TOLERANCES UNLESS OTHERWISE SPECIFIED:		APVD T. BENCHOFF 01MAY2019	NAME CAP, 3 CIRCUIT, UNIVERSAL MATE-N-LOK
0 PLC ±	1 PLC ±	PRODUCT SPEC	SIZE
2 PLC ±	3 PLC ±	APPLICATION SPEC	CAGE CODE
4 PLC ±	ANGLES ±	WEIGHT	DRAWING NO
FINISH ±	±0°30'	CUSTOMER DRAWING	RESTRICTED TO
MATERIAL NYLON UL94V-2			A 00779 ©=480701
			SCALE 4:1 SHEET 2 OF 2 REV AN5