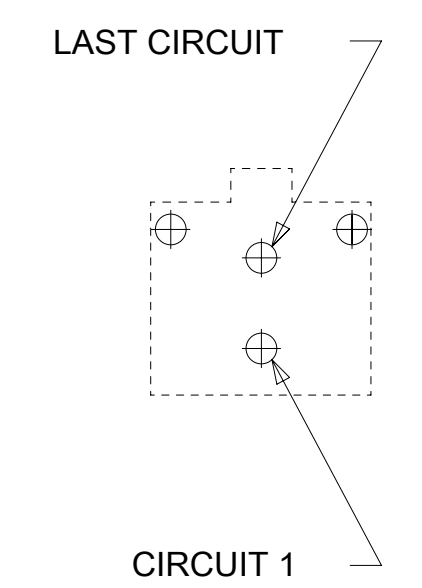
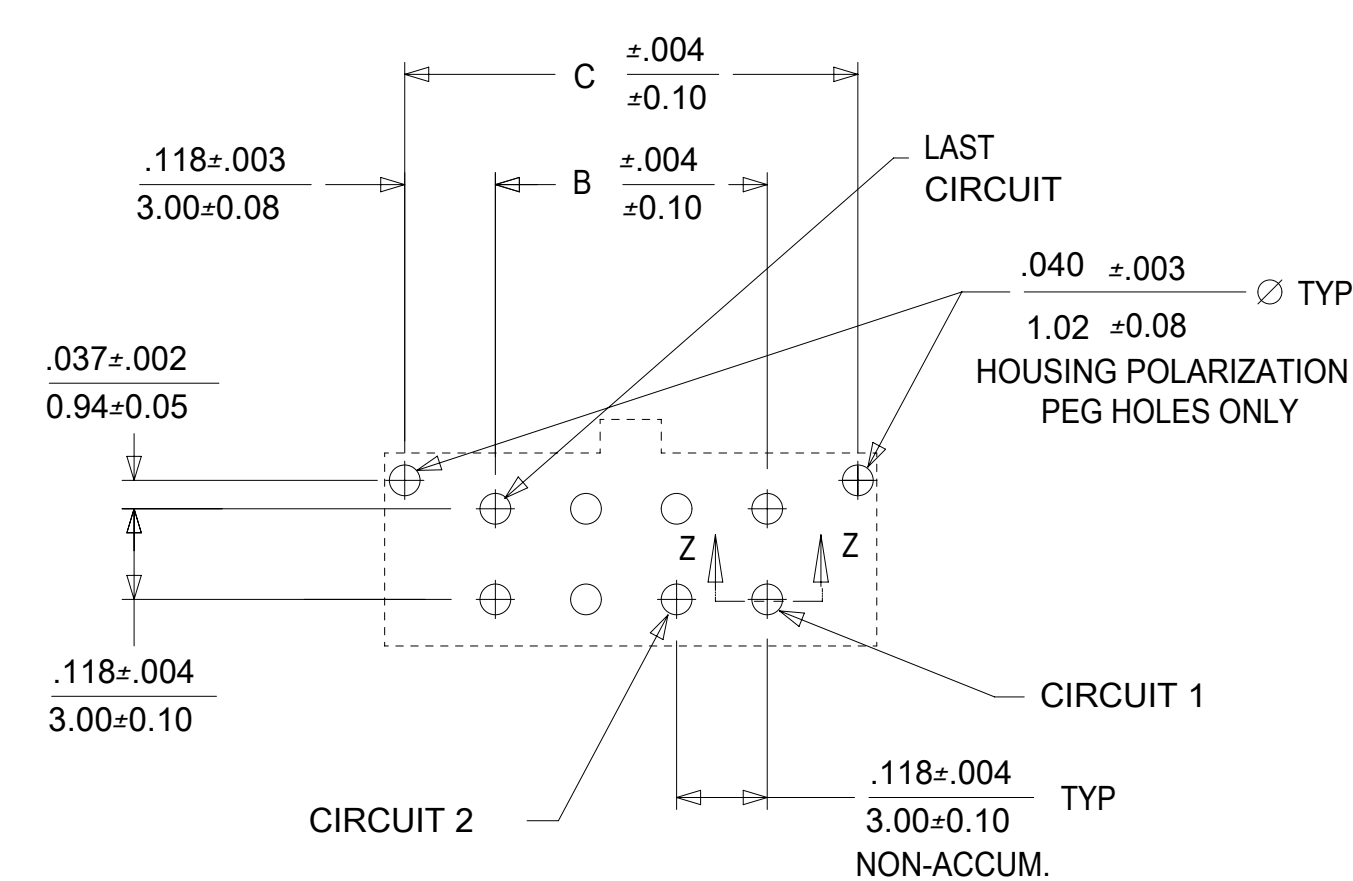
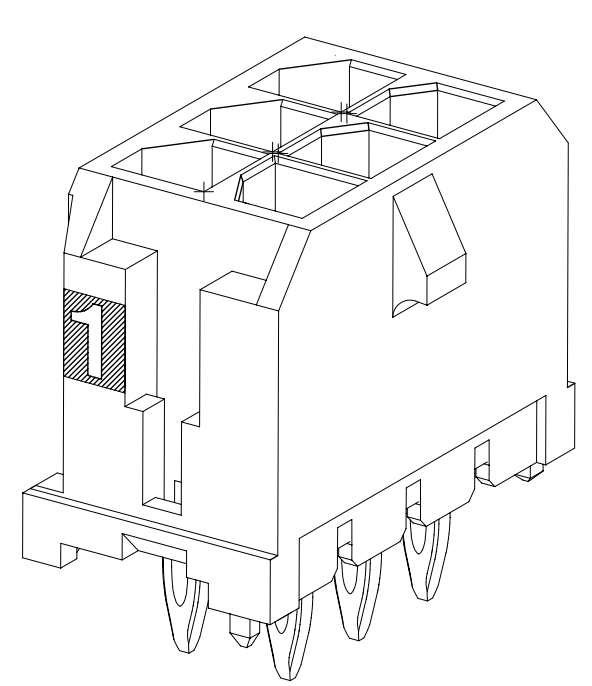
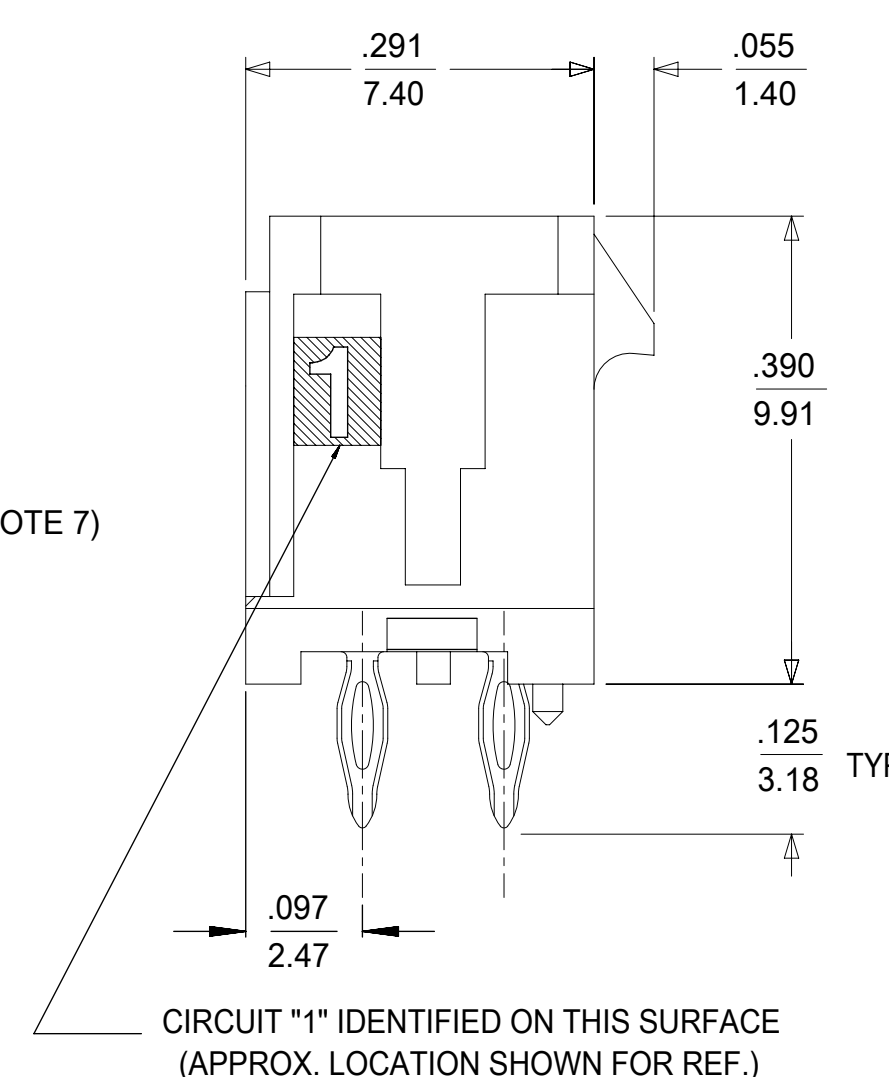
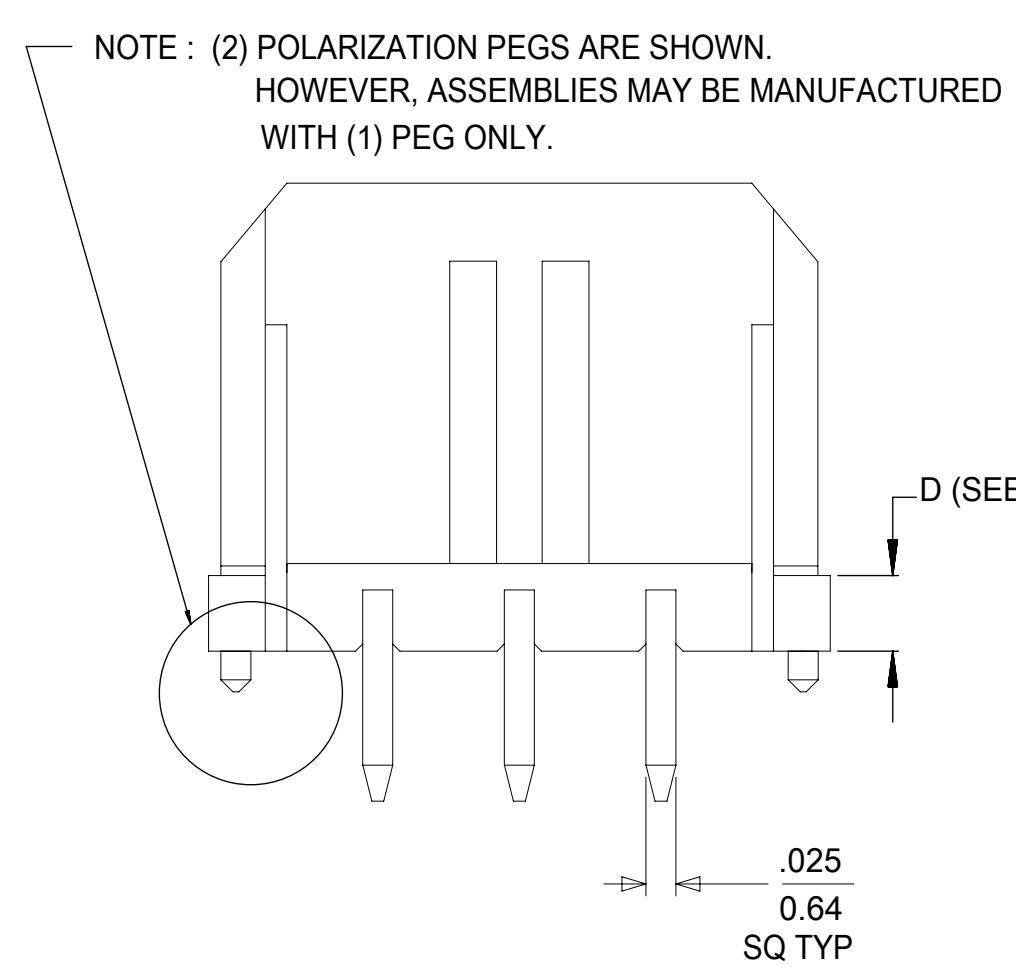


SECTION Z-Z
SCALE : 20/1



CKTS	FINISH: A	FINISH: B	FINISH: C
02	44914-0201	44914-5202	44914-5203
04	44914-0401	44914-5402	44914-5403
06	44914-0601	44914-5602	44914-5603
08	44914-0801	44914-5802	44914-5803
10	44914-1001	44914-6002	44914-6003
12	44914-1201	44914-6202	44914-6203
14	44914-1401	44914-6402	44914-6403
16	44914-1601	44914-6602	44914-6603
18	44914-1801	44914-6802	44914-6803
20	44914-2001	44914-7002	44914-7003
22	44914-2201	44914-7202	44914-7203
24	44914-2401	44914-7402	44914-7403

CKTS	A	B	C
02	.262 6.65	NA	.236 6.00
04	.380 9.65	.118 3.00	.354 9.00
06	.498 12.65	.236 6.00	.472 12.00
08	.616 15.65	.354 9.00	.591 15.00
10	.734 18.65	.472 12.00	.709 18.00
12	.852 21.65	.591 15.00	.827 21.00
14	.970 24.65	.709 18.00	.945 24.00
16	1.088 27.65	.827 21.00	1.063 27.00
18	1.206 30.65	.945 24.00	1.181 30.00
20	1.325 33.65	1.063 27.00	1.299 33.00
22	1.443 36.65	1.181 30.00	1.417 36.00
24	1.561 39.65	1.299 33.00	1.535 39.00

- NOTES:
- HOUSING MATERIAL: GLASS FILLED LIQUID CRYSTAL POLYMER, UL94V-0, COLOR: BLACK.
TERMINAL MATERIAL: MODIFIED TIN/BRASS ALLOY
 - FINISH: A = .000200/(0.0051) MIN. TIN OVER .000050/(0.0013) MIN. NICKEL PLATE.
B = .000015/(0.00038) MINIMUM GOLD IN SELECTIVE AREA;
.000100/(0.00254) MINIMUM MATTE TIN ON PCB TAILS,
BOTH OVER .000050/(0.00127) MINIMUM NICKEL PLATE.
C = .000030/(0.00076) MINIMUM GOLD IN SELECTIVE AREA;
.000100/(0.00254) MINIMUM MATTE TIN ON PCB TAILS,
BOTH OVER .000050/(0.00127) MINIMUM NICKEL PLATE.
 - PRODUCT SPECIFICATION: PS-43045
 - TRAY PACKAGED: SEE MOLEX DRAWING PK-70873-0314
 - MATES WITH MICRO FIT (3.0) RECEPTACLE SERIES 43025
 - HEADER INSTALLATION REQUIRES A MINIMUM FORCE OF 24LBS/(107 N) PER CIRCUIT DISTRIBUTED EQUALLY ACROSS THE ENTIRE HOUSING SURFACE.
 - CIRCUIT SIZES 2-6: "D" IS 0.265/6.74 FOR .010/0.25 STEP.
CIRCUIT SIZES 8-24: "D" IS 0.063/1.60 FOR .010/0.25 STEP.
 - THIS PART CONFORMS TO CLASS B REQUIREMENTS OF COSMETIC SPECIFICATION PS-45499-002.

PCB LAYOUT: COMPONENT SIDE
RECOMMEND PCB THICKNESS: .093/2.36

PCB LAYOUT: 2 CKT HEADER

SYMBOLS		THIS DRAWING CONTAINS INFORMATION THAT IS PROPRIETARY TO MOLEX ELECTRONIC TECHNOLOGIES, LLC AND SHOULD NOT BE USED WITHOUT WRITTEN PERMISSION		CURRENT REV DESC: CORRECT 7.40 DIM	
▽ = 0	IN/MM	SCALE	1:1	EC NO: 621355	
▽ = 0	GENERAL TOLERANCES (UNLESS SPECIFIED)		DRWN: AFAVAZZA		2019/07/25
▽ = 0	4 PLACES ±	MM	INCH	CHK'D: SSOUSEK	2019/07/25
▽ = 0	3 PLACES ±	± 0.01		APPR: FSMITH	2019/07/31
▽ = 0	2 PLACES ±	0.25 ± 0.014		INITIAL REVISION:	
▽ = 0	1 PLACE ±	0.36 ±		DRWN: SOUSEK	2005/04/27
▽ = 0	0 PLACES ±			APPR: SMITH	2005/04/28
▽ = 0	ANGULAR TOL ± 0.5°			THIRD ANGLE PROJECTION	
▽ = 0	DRAFT WHERE APPLICABLE MUST REMAIN WITHIN DIMENSIONS		DRAWING		SERIES
▽ = 0			C-SIZE		44914
DOCUMENT STATUS		P1	RELEASE DATE	2019/07/31	15:25:30
DOCUMENT NUMBER		CUSTOMER		DOC TYPE	DOC PART
SD-44914-002		GENERAL MARKET		PSD	001
MATERIAL NUMBER		SHEET NUMBER		REVISION	
SEE CHART		1 OF 1		B4	