

**NOTES:**

FILE NO.

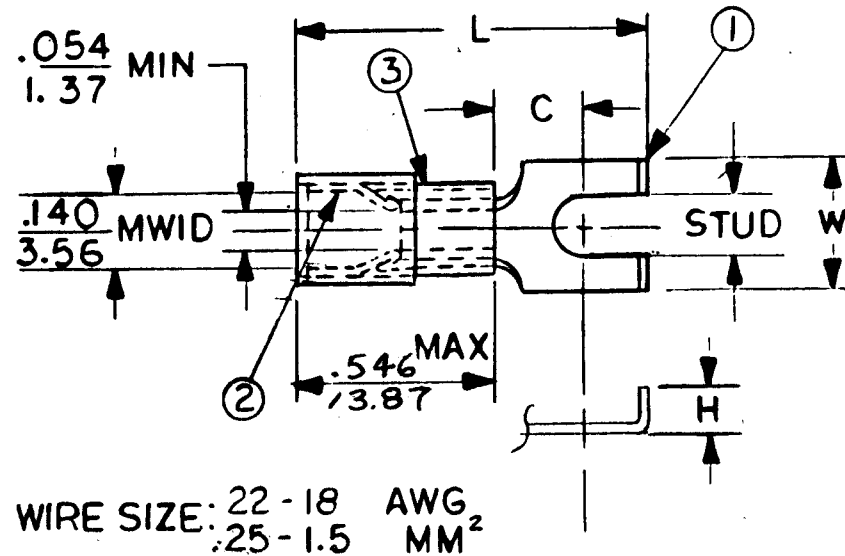
A-CD-504-01

- ① MAT'L: COPPER (STOCK TKN.  $\frac{.031}{.79}$  )
- PLATING: ELECTRO TIN (.0003 MIN)
- ② TIN-PLATED BRASS FUNNEL FERRULE
- ③ NYLON INSULATION (COLOR CODED RED)

**STUD SIZES: ( $\pm .005$ )**

- 02 = .094
- 04 = .119
- 06 = .146
- 08 = .173
- 10 = .198
- 14 = .265
- 56 = .328
- 38 = .390

"UL" LISTING \*E32244  
 "CSA" LISTING \*18689



WIRE SIZE: 22-18 AWG  
 :25-1.5 MM<sup>2</sup>

ALL DIMENSIONS =  $\frac{\text{INCHES}}{\text{MM}}$

(MWID) = DENOTES MAXIMUM WIRE INSULATION DIAMETER

PART NUMBER	"W" $\pm .010$	"C" MIN.	"L" MAX.	"H" REF.	AVAILABLE STUD SIZES
A-515-	$\frac{.291}{7.39}$	$\frac{.207}{5.26}$	$\frac{.927}{23.55}$	$\frac{.078}{1.98}$	04, 06, 08
A-590-	$\frac{.420}{10.67}$	$\frac{.235}{5.97}$	$\frac{1.010}{25.65}$	$\frac{.078}{1.98}$	06, 08, 10
A-593-	$\frac{.375}{9.53}$	$\frac{.235}{5.97}$	$\frac{1.019}{25.88}$	$\frac{.078}{1.98}$	06, 08, 10
A-596-	$\frac{.325}{8.26}$	$\frac{.235}{5.97}$	$\frac{1.017}{25.83}$	$\frac{.093}{2.36}$	04, 06, 08

DIMENSIONAL TOLERANCES UNLESS OTHERWISE SPECIFIED		
FRAC.	DEC.	ANG.
$\pm$	$\pm$	$\pm$

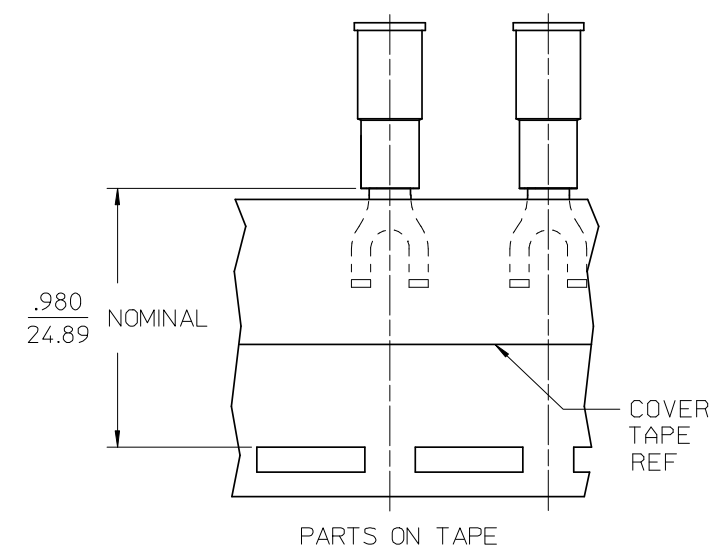
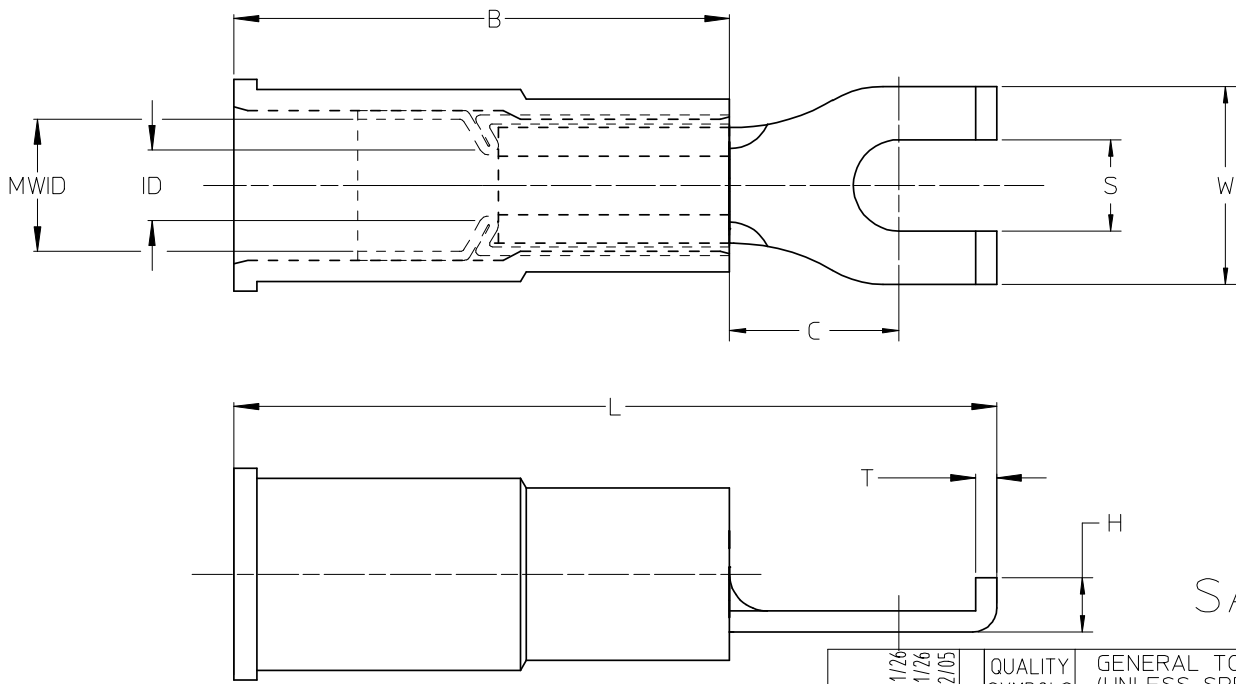
REFERENCE	SCALE: NTS	DATE
REV. A 02/10/80 SEM 1/6/94	DRWN. BY: JJ	11-1484
	CHKD. BY:	
	APPRD. BY:	

TITLE:  
 FLANGED SPADE  
 TONGUE TERMINAL  
 AVIKRIMP  
 500-SERIES

**ETC** molex  
 INCORPORATED

DWG. NO. **A** CUSTOMER DWG

10		9		8		7		6		5		4		3		2		19125	
LOOSE_P TEECE		TAPE MOUNTED		DIMENSIONS														FINISH	
MATERIAL NUMBER	ENGINEERING NUMBER	MATERIAL NUMBER	ENGINEERING NUMBER	STUD SIZE	S ±.005	W MAX	C MIN	ID MIN	MWID	B REF	L MAX	H REF	T REF	INSULATION COLOR					
191250003	A-515-06	191250004	A-515-06T	6	.146/3.71	.301/7.6	.207/5.3	.054/1.37	.138/3.51	.536/13.61	.927/23.55	.08/2.0	.031/0.79	RED					
191250005	A-515-08	191250006	A-515-08T	8	.173/4.39	.301/7.6	.207/5.3	.054/1.37	.138/3.51	.536/13.61	.927/23.55	.08/2.0	.031/0.79	RED					
191250007	A-515-10	191250008	A-515-10T	10	.198/5.03	.301/7.6	.207/5.3	.054/1.37	.138/3.51	.536/13.61	.927/23.55	.08/2.0	.031/0.79	RED					
191250033	B-516-06	191250034	B-516-06T	6	.146/3.71	.301/7.6	.209/5.3	.081/2.06	.165/4.19	.536/13.61	.936/23.77	.08/2.0	.031/0.79	BLUE					
191250035	B-516-08	191250036	B-516-08T	8	.173/4.39	.301/7.6	.209/5.3	.081/2.06	.165/4.19	.536/13.61	.936/23.77	.08/2.0	.031/0.79	BLUE					
191250037	B-516-10	191250038	B-516-10T	10	.198/5.03	.301/7.6	.209/5.3	.081/2.06	.165/4.19	.536/13.61	.936/23.77	.08/2.0	.031/0.79	BLUE					
191250074	C-517-06	191250075	C-517-06T	6	.146/3.71	.345/8.8 (A)	.270/6.85 (A)	.128/3.25	.225/5.71	.669/16.99	1.165/29.6 (A)	.10/2.5	.040/1.02	YELLOW					
191250076	C-517-08	191250077	C-517-08T	8	.173/4.39	.385/9.8	.270/6.85 (A)	.128/3.25	.225/5.71	.669/16.99	1.165/29.6 (A)	.10/2.5	.040/1.02	YELLOW					
191250078	C-517-10	191250079	C-517-10T	10	.209/5.3 (A)	.385/9.8	.270/6.85 (A)	.128/3.25	.225/5.71	.669/16.99	1.165/29.6 (A)	.10/2.5	.040/1.02	YELLOW					



SALES DRAWING

- NOTES:
1. MATERIAL: COPPER
  2. PLATING: ELECTRO-TIN
  3. MWID = MAXIMUM WIRE INSULATION DIAMETER
  4. PART IS RoHS COMPLIANT

<b>STANDARDIZE</b> EC NO: ETC2008-0012 DRWN:RSTONE 2007/11/26 CHKD:MACNEIL 2007/11/26 APPR:MACNEIL 2007/12/05 REV A	<b>QUALITY SYMBOLS</b> ▽=0 ∇=0	<b>GENERAL TOLERANCES (UNLESS SPECIFIED)</b>		<b>DIMENSION STYLE</b> IN/MM	<b>SCALE</b> ---	<b>DESIGN UNITS</b> INCH	THIRD ANGLE PROJECTION	
		4 PLACES ± --- ± --- 3 PLACES ± --- ± .005 2 PLACES ± 0.13 ± .01 1 PLACE ± 0.25 ± ---	mm    INCH	DRAWN BY    DATE JJ            1984/11/14	<b>TITLE</b> FLANGED SPADE TERMINAL, AVIKRIMP -500 SERIES,			
		ANGULAR ±1/2°		CHECKED BY    DATE	<b>MATERIAL NO.</b> SEE CHART		<b>DOCUMENT NO.</b> SD-19125-001	<b>SHEET NO.</b> 1 OF 1
		DRAFT WHERE APPLICABLE MUST REMAIN WITHIN DIMENSIONS		APPROVED BY    DATE THIS DRAWING CONTAINS INFORMATION THAT IS PROPRIETARY TO MOLEX INCORPORATED AND SHOULD NOT BE USED WITHOUT WRITTEN PERMISSION				