



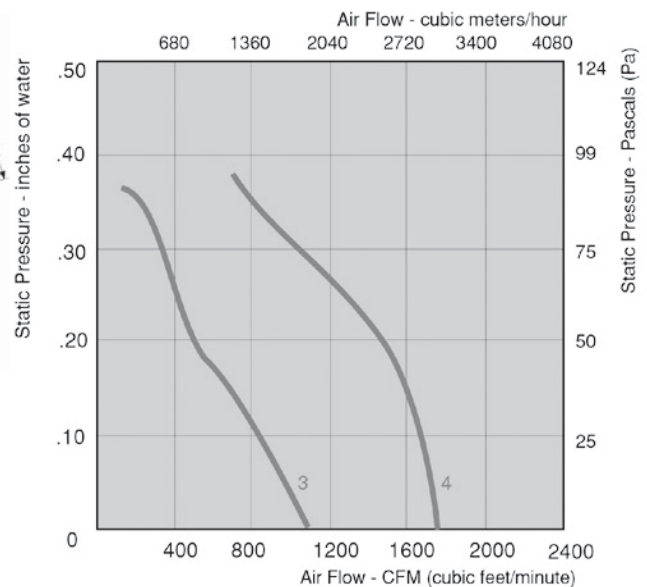
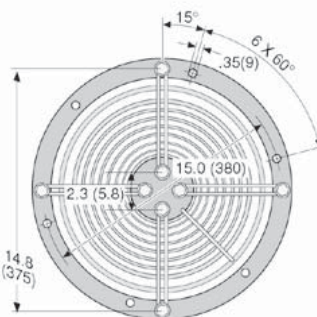
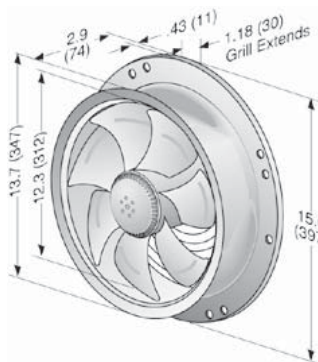
# W4E315A Series

Axial

## Ø 315mm S-Range

- ebm-papst offers a wide range of AC axial fans to optimally fit any application.
- All metal construction, shallow profile, round venturi plate. Reduced noise and highly efficient compared to other fans.
- Mounting plate with 9 mm holes. Ready to install.
- Discharge over struts: Dir. of rotation is CCW looking at rotor.
- Inlet over struts: Dir. of rotation is CW looking at rotor.
- Maintenance-free ball bearings..
- UL, CSA, VDE approvals on some models, please contact application engineering.

Part Number	Curve	CFM @ 0	VAC	Hertz	Power (W)	dBA	Max Amb. Temp C	Bearing Type	Features	Capacitor (µF)	Grill Position	Wgt. (lbs)
W6E315-CP20-70	3	1135	115	50/60	68	53	70	Ball	Leads	8	Dischg	6.00
W6E315-CP20-71	3	1135	115	50/60	68	53	70	Ball	Leads	8	Dischg	6.00
W4E315-CP22-70	4	1710	115	50/60	120	64	50	Ball	Leads	14	Dischg	6.00
W4E315-CP22-71	4	1710	115	50/60	120	64	50	Ball	Leads	14	Inlet	6.00
W6E315-CP02-70	3	1135	230	50/60	68	53	70	Ball	Leads	2	Dischg	6.00
W6E315-CP02-71	3	1135	230	50/60	68	53	70	Ball	Leads	2	Dischg	6.00
W4E315-CP18-70	4	1710	230	50/60	120	64	50	Ball	Leads	4	Dischg	6.00
W4E315-CP18-71	4	1710	230	50/60	120	64	50	Ball	Leads	4	Inlet	6.00



e-mail: [sales@us.ebmpapst.com](mailto:sales@us.ebmpapst.com) · TEL: 860-674-1515 · FAX: 860-674-8536

ebm-papst Inc., 100 Hyde Road, Farmington, CT 06034 USA

ebm-papst Inc., 2004 © ebm-papst Inc. reserves the right to change any specifications or data without notice