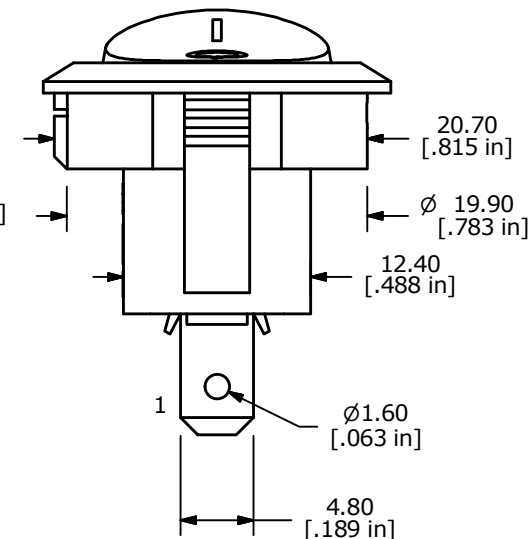
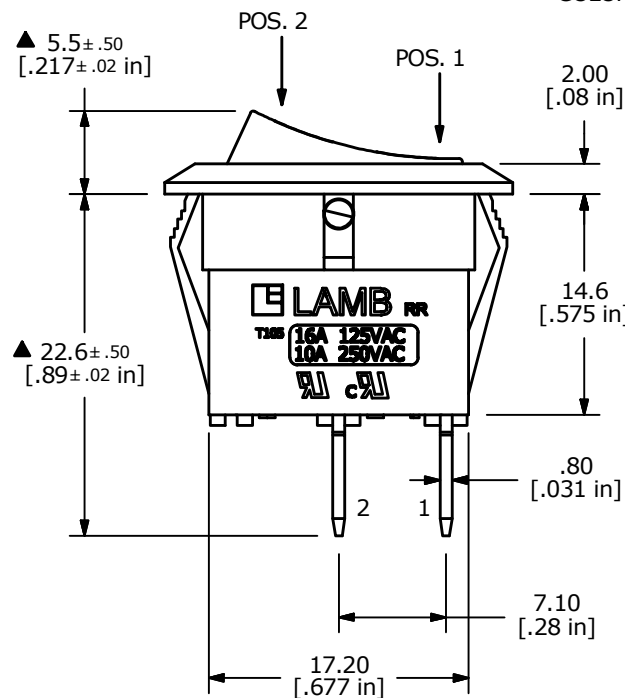
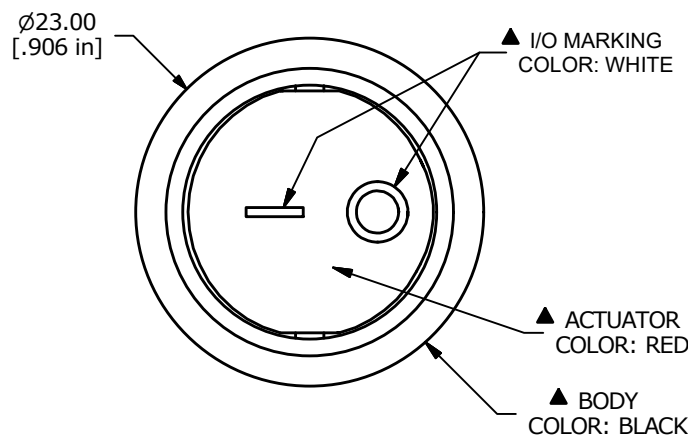
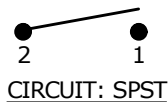


PANEL THICKNESS	(X) DIM.
0.75 TO 1.25	20.2mm
1.25 TO 2.00	20.4mm
2.00 TO 3.00	20.6mm

SWITCH FUNCTION	
POS. 1	POS. 2
OFF	ON
OPEN	2-1



NOTE:

- DIMENSIONS IN MM [INCH]
- GENERAL TOLERANCE: X.X = ± 0.4
X.XX = ± 0.25
- TERMINAL NUMBERS FOR REF ONLY
- CONTACT MATERIAL: SILVER
- CONTACT RATING: ANSI/UL 1054 CAN/USA C22.2 NO. 55 (E194579):
16A @ 125VAC [UR, cUR]
10A @ 250VAC [UR, cUR]
1/3 HP 125/250VAC [UR, cUR]
EN 61058-1: 2002:
10(4)A 250~ μ 1E4 T125/55 [ENEC14]
10(2)A 250~ μ 5E4 T85/55 [ENEC14]
- CONTACT RESISTANCE: 35mΩ MAX. @ 50VAC
- INSULATION RESISTANCE: 100MΩ MIN. @ 500VAC
- DIELECTRIC STRENGTH: 1,500VAC FOR 1 MINUTE
- ELECTRICAL LIFE: 6,000 CYCLES [UR, cUR]
10,000 CYCLES [ENEC14: 10(4)A 250V~]
50,000 CYCLES [ENEC14: 10(2)A 250V~]
- OPERATING TEMP.: -20°C to 105°C [UR, cUR]
-20°C to 125°C [ENEC14: 10(4)A 250V~]
-20°C to 85°C [ENEC14: 10(2)A 250V~]
- ▲ DENOTES CRITICAL PARAMETER
- 2011/65/EU (ROHS) COMPLIANT
- ILLUMINATION VOLTAGE: N/A



C	23442	REMOVED SEMKO RATING	7/12/18	MJR
B	22555	Update housing	12/15/16	MW
REV	PCR NO	DESCRIPTION	DATE	BY

TITLE RR111C1921				
SCALE 2:1	DATE 4/2/2013	DR EBP	DWG 38-RR111C1921	REV C

THE INFORMATION CONTAINED IN THIS DOCUMENT IS PROPRIETARY TO E-SWITCH AND IS NOT TO BE COPIED OR TRANSFERRED