

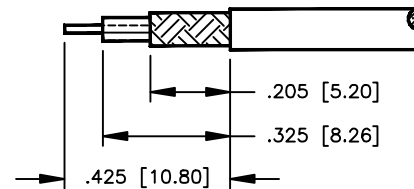
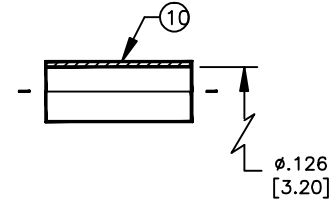
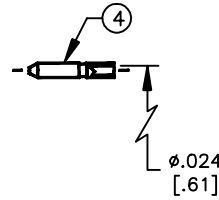
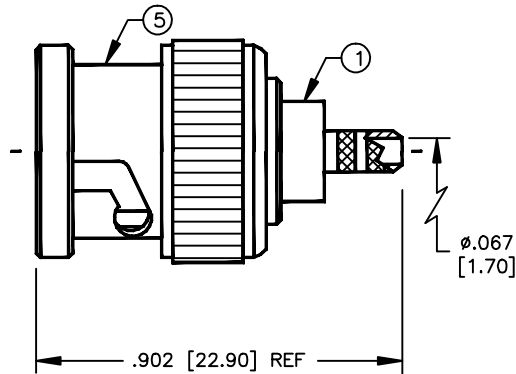
SPECIFICATION CONTROL DRAWING

THIS DRAWING CONTAINS INFORMATION PROPRIETARY TO RF INDUSTRIES, LTD. ANY UNAUTHORIZED USE OF THIS DRAWING IS EXPRESSLY PROHIBITED. ANY VIOLATION IS PUNISHABLE UNDER U.S. COPYRIGHT LAWS.

REV	DESCRIPTION	DWN	DATE	APPROVED
A	ENGINEERING RELEASE	CZS	8/12/99	R. RICE

008974

ALL DIMENSIONS ARE REFERENCE ONLY



SUGGESTED STRIPPING INSTRUCTIONS

SUGGESTED CRIMP DIES: .130
USE RFA-4089 CRIMP TOOL TO CRIMP PIN

SPECIFICATIONS:

IMPEDANCE: 50 OHMS
WORKING VOLTAGE: 500 VRMS @ SEA LEVEL
FREQUENCY RANGE: 0-4 GHz
INSERTION LOSS: ≤ -.2 dB @ 3 GHz
VSWR MAX: 1.4:3 @ 3 GHz
FOR RG-174, 188, 188A, 316/U, ALPHA 9174, 9316,
BELDEN 8216, 83269, 83284, 84316 & TIMES LMR-100A CABLE
INTERFACE PER MIL-STD-348, SECTION 301.1

DIMENSIONS ARE IN INCHES AND [MILLIMETERS]

UNLESS OTHERWISE NOTED TOLERANCES ARE:
DECIMALS DIAMETER

DRAWN C. ZUNIGA 8/12/99

CHECKED

ORJ DRAWN C. ZUNIGA 8/12/99

APPROVALS DATE

RF connectors
DIVISION OF RF INDUSTRIES, LTD.

7610 MIRAMAR RD
SAN DIEGO, CA 92126
(858) 549-6340
(858) 549-6345 FAX

RFB-1106-6

BNC MALE CRIMP

SIZE A	CABLE GROUP B	DWG NO. 9227	REV A
SCALE: 2:1		CAD FILE 13ARC B	SHEET 1 OF 1

ITEM	DESCRIPTION	QTY	MATERIAL	FINISH
10	FERRULE	1	COPPER	NICKEL
9	WASHER	1	BRASS	NICKEL
8	SPRING	1	SK-5	NICKEL
7	RETAINING RING	1	BRASS	NICKEL
6	GASKET	1	S.I. RUBBER	RED
5	SHELL	1	BRASS	NICKEL
4	PIN	1	BRASS	NICKEL
3	DIELECTRIC	1	PTFE	NONE
2	PIN	1	PHOS BRONZE	GOLD
1	BODY	1	BRASS	NICKEL