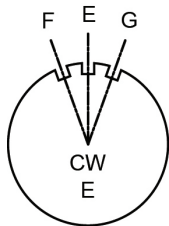


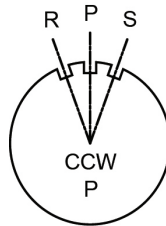
Connector Solutions M23 Standard Series

STEP 1
Choose Plug

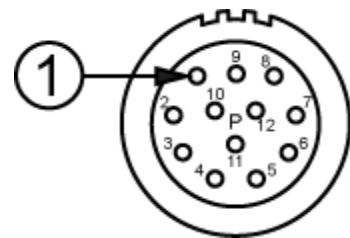


Standard connector parts mate "E" Plugs with "P" Receptacles, Mating parts use opposite contact types. *example: plug with pin contacts mates with a receptacle using socket contacts.* Other key code options available not listed here. Please call customer service for assistance when ordering F,G,R,S. See page 16 for connector configurations

STEP 2
Choose Receptacle



STEP 3
Choose Backshell/Cord Grip



Plugs



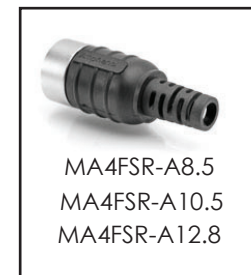
Receptacles



Cord Grips



FlexGrip™ Backshell System



more about FlexGrip™ on page 282

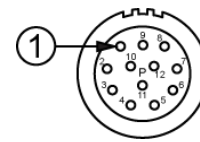
BULK CABLE starts on page 23

Receptacle Kits



SEE TABLE ON NEXT PAGE FOR PART DETAILS

CONTACTS SOLD SEPARATELY SEE PAGE 158



12 POSITIONS
10A / 160V
P type

Style: P type Plug Number of Contacts: 12 Contact Size: 1.0mm
 Sealing: IP66/67 AWG: 22-18 (0.37 - 0.75 mm²) / 24-28 (0.25 - 0.10 mm²)



Checkmate™ Connector Part Numbers

Part Number	Connector Type <i>Checkmate™ parts will mate with threaded parts. Just remove the O-ring from the threaded part.</i>	Style	Contact Type male = pin mates with female = socket ↓Mating Parts↓		Figure Drawings
MA2CAP1200	Plug, straight, Checkmate™	P	Pin	Socket	1
MA2LAE1200	Receptacle, straight, flange mount, Checkmate™	E	Socket	Pin	2
MA2LAE1200-KIT	Receptacle kit, straight, flange mount, Checkmate™ Kit includes contacts	E		Pin	2
MA2LAE1200S-KIT	Receptacle kit, straight, flange mount, Checkmate™ Kit includes contacts	E	Socket		2
MA2JAE1200	Receptacle extension, Checkmate™	E	Socket	Pin	3
MA5RAE1201*	Receptacle, 90° rotatable, Checkmate™ Standard Flange (25.7x25.7)	E	Socket	Pin	4
MA5RAE1202*	Receptacle, 90° rotatable, Checkmate™ Large Flange (28.0x28.0)	E	Socket	Pin	5
↑ Contacts supplied separately see Chart 1 page 158					

CONNECTOR SOLUTIONS

Threaded Connector Part Numbers

Part Number	Connector Type <i>Checkmate™ parts will mate with threaded parts. Just remove the O-ring from the threaded part.</i>	Style	Contact Type male = pin mates with female = socket ↓Mating Parts↓		Figure Drawings
MA1CAP1200	Plug, straight, threaded	P	Pin	Socket	6
MA1EAP1200	Plug, 90° rotatable, threaded	P	Pin	Socket	7
MA1LAE1200	Receptacle, straight, flange mount, threaded	E	Socket	Pin	8
MA1LAE1200-KIT	Receptacle kit, straight, threaded. Contacts included	E		Pin	8
MA1LAE1200S-KIT	Receptacle kit, straight, threaded. Contacts included	E	Socket		8
MA3TNE1200-S1	Receptacle, bulkhead, threaded, 4.5-7.5mm	E	Socket	Pin	9
MA3TNE1200-S2	Receptacle, bulkhead, threaded, 7.5-11mm	E	Socket	Pin	10
MA3TNE1200-S3	Receptacle, bulkhead, threaded, 11.0-15mm	E	Socket	Pin	11
MA1JAE1200	Receptacle extension, threaded	E	Socket	Pin	12
MA7RAE1201*	Receptacle, 90° rotatable, threaded Standard Flange (25.7x25.7)	E	Socket	Pin	13
MA7RAE1202*	Receptacle, 90° rotatable, threaded Large Flange (28.0x28.0)	E	Socket	Pin	14
↑ Contacts supplied separately see Chart 1 page 158					

*Elite Series receptacles are offered here as additional options for mating with Standard Series plugs. See Assembly Instructions starting on page 266

part numbers continued on next page

Style: P type Plug **Number of Contacts: 12** **Contact Size: 1.0mm**
 Sealing: IP66/67 AWG: 22-18 (0.37 - 0.75 mm²) / 24-28 (0.25 - 0.10 mm²)

Cord Grips and Backshells

Part Number	Type	Cable Range (mm)	Figure Drawings
MA6CG-S1	Cord grip	4.5-7.5mm	15
MA6CG-S2	Cord grip	7.5-11.0mm	15
MA6CG-S3	Cord grip	11.0-15.0mm	15
MA4FSR-A8.5*	Flex Grip™ backshell	7.5-8.5mm	16
MA4FSR-A10.5*	Flex Grip™ backshell	9.5-10.5mm	16
MA4FSR-A12.8*	Flex Grip™ backshell	11.5-12.8mm	16

*Must be potted to achieve IP67 ratings.

Contacts



CHART 1

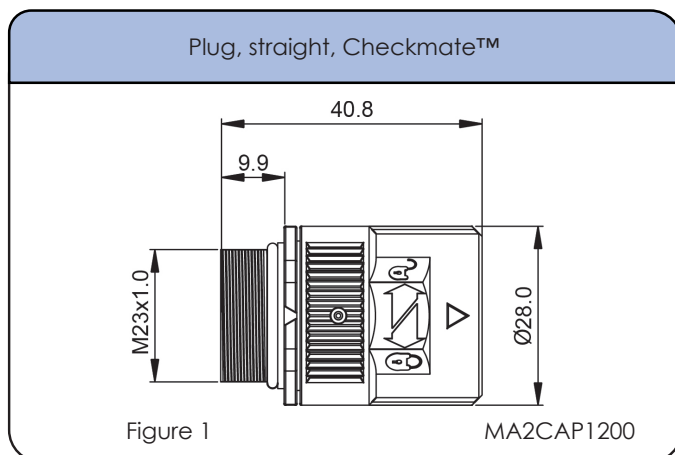
Crimp Contacts, Machined

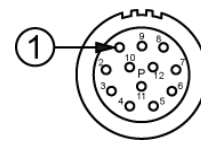
Part Number	Pin/Socket	AWG	mm ²	Plating
SC000035	Pin	22-18	0.37 - 0.75	Gold
SC000146	Pin	28-24	0.10 - 0.25	Gold
SC000044	Socket	22-18	0.37 - 0.75	Gold
SC000030	Socket	28-24	0.10 - 0.25	Gold

Machined Contacts

Checkmate™ Dimensions Straight Plugs

See Chart 1 for contacts options



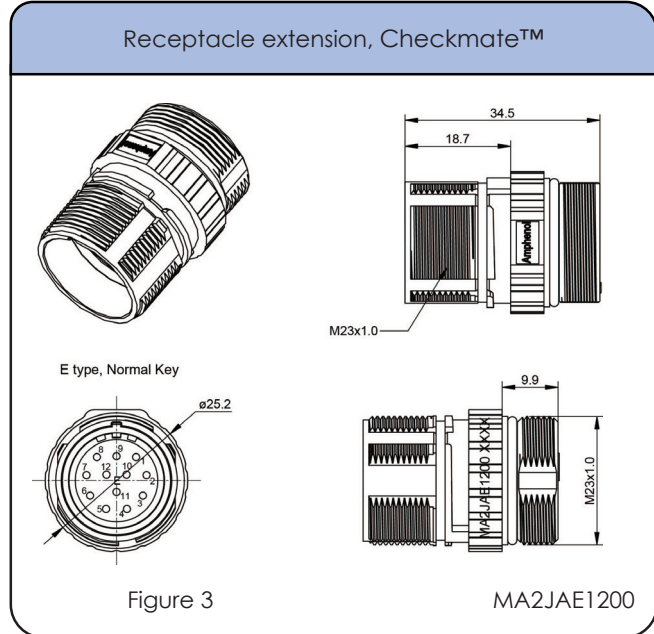
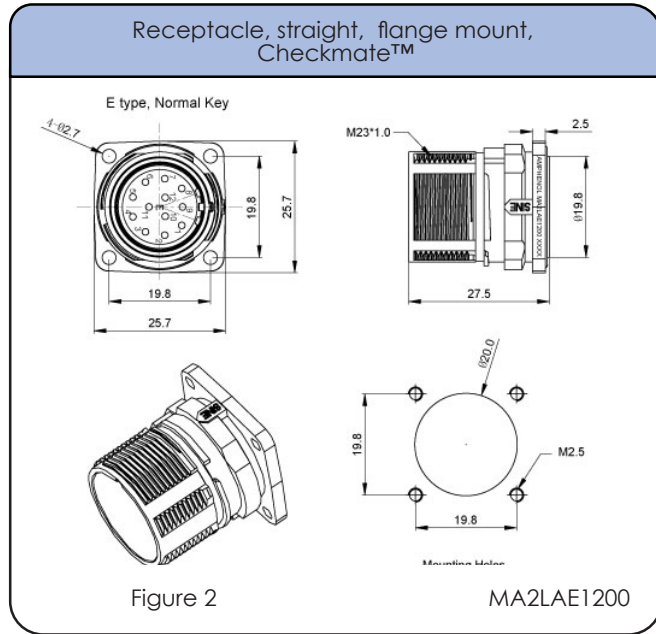


12 POSITIONS
10A / 160V
P type

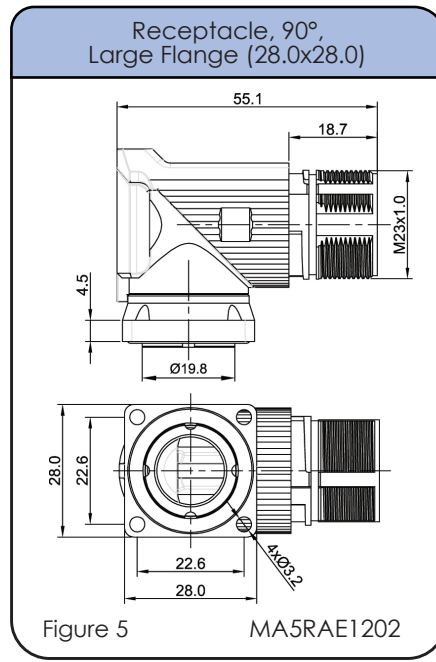
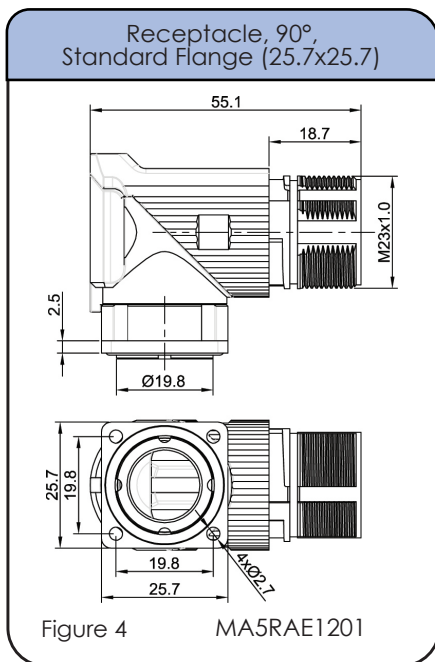
Style: P type Plug **Number of Contacts: 12** **Contact Size: 1.0mm**
 Sealing: IP66/67 AWG: 22-18 (0.37 - 0.75 mm²) / 24-28 (0.25 - 0.10 mm²)

Checkmate™ Dimensions Receptacles

See Chart 1 for contacts options



See Chart 1 for contacts options

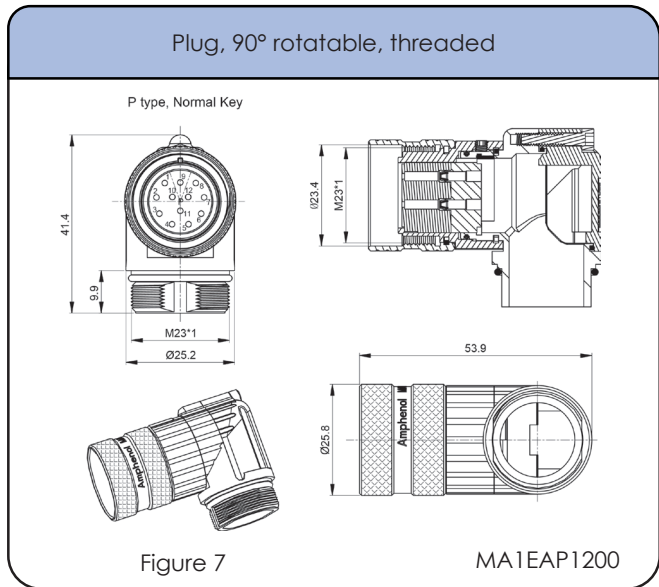
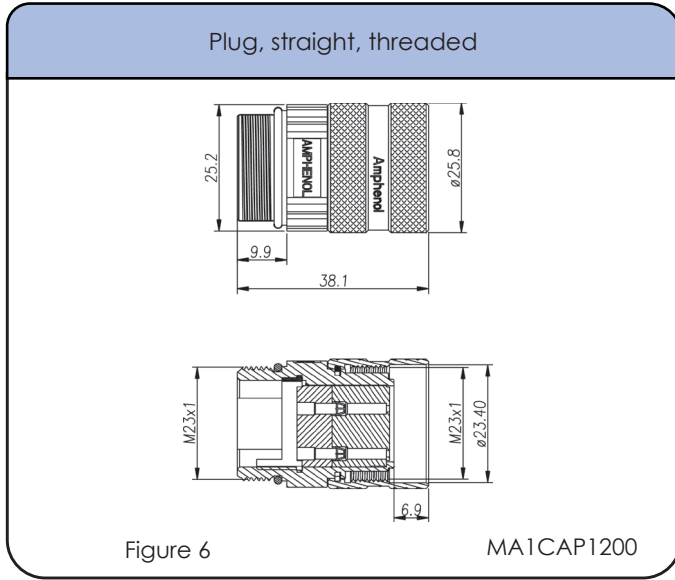


Complete datasheets can be found at www.amphenol-sine.com

Style: P type Plug **Number of Contacts: 12** **Contact Size: 1.0mm**
 Sealing: IP66/67 AWG: 22-18 (0.37 - 0.75 mm²) / 24-28 (0.25 - 0.10 mm²)

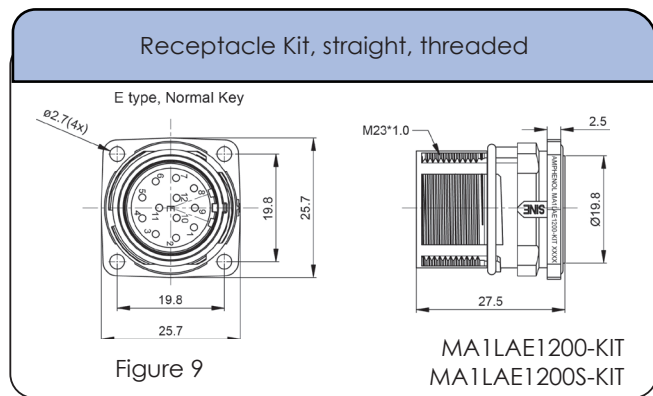
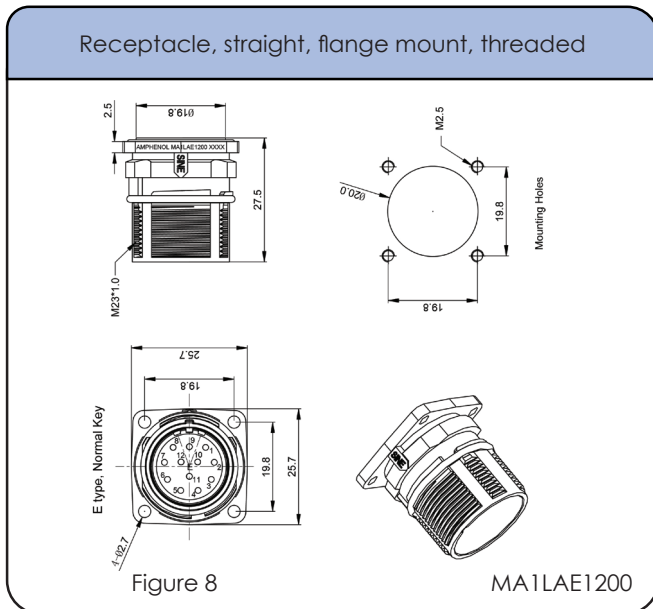
Threaded Dimensions Plugs

See Chart 1 for contacts options

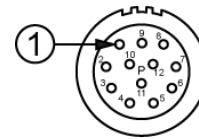


Threaded Dimensions Straight Receptacles

See Chart 1 for contacts options



Complete datasheets can be found at www.amphenol-sine.com



12 POSITIONS
10A / 160V
P type

Style: P type Plug **Number of Contacts: 12** **Contact Size: 1.0mm**
Sealing: IP66/67 AWG: 22-18 (0.37 - 0.75 mm²) / 24-28 (0.25 - 0.10 mm²)

Threaded Bulkhead Receptacles

See Chart 1 for contacts options

Receptacle, bulkhead, threaded, 4.5-7.5mm Cord Grip

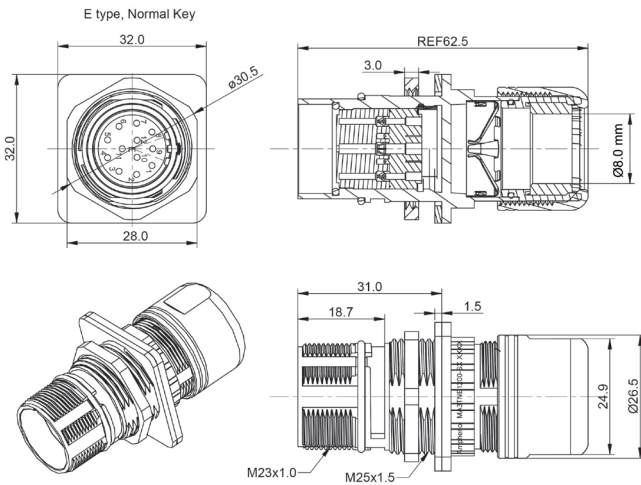


Figure 10

MA3TNE1200-S1

Receptacle, bulkhead, threaded, 7.5-11mm Cord Grip

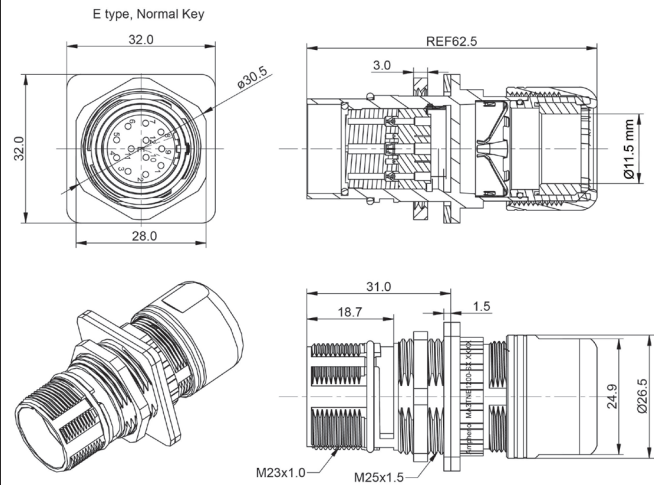


Figure 11

MA3TNE1200-S2

Receptacle, bulkhead, threaded, 11-15mm Cord Grip

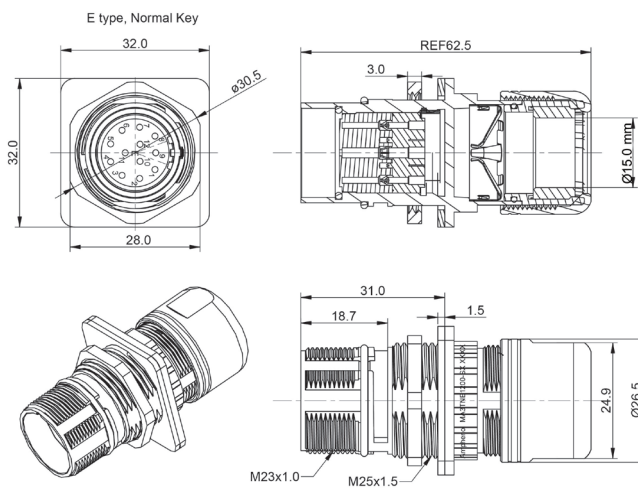


Figure 12

MA3TNE1200-S3

Receptacle extension, threaded

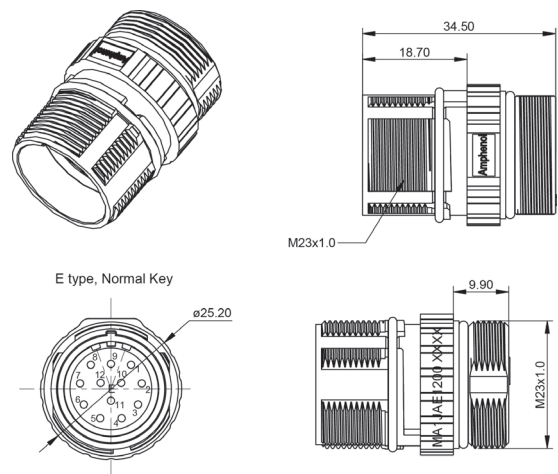


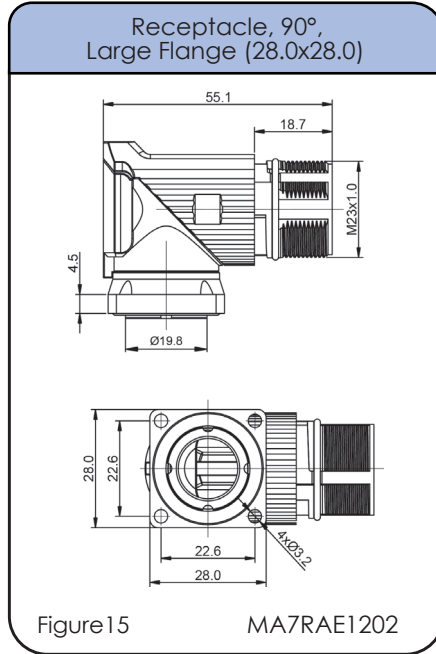
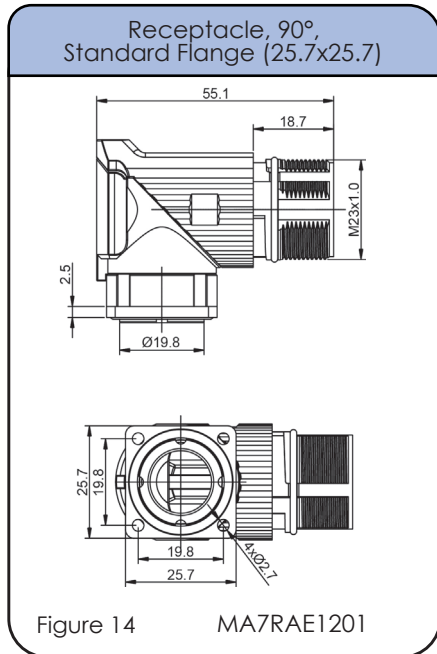
Figure 13

MA1JAE1200

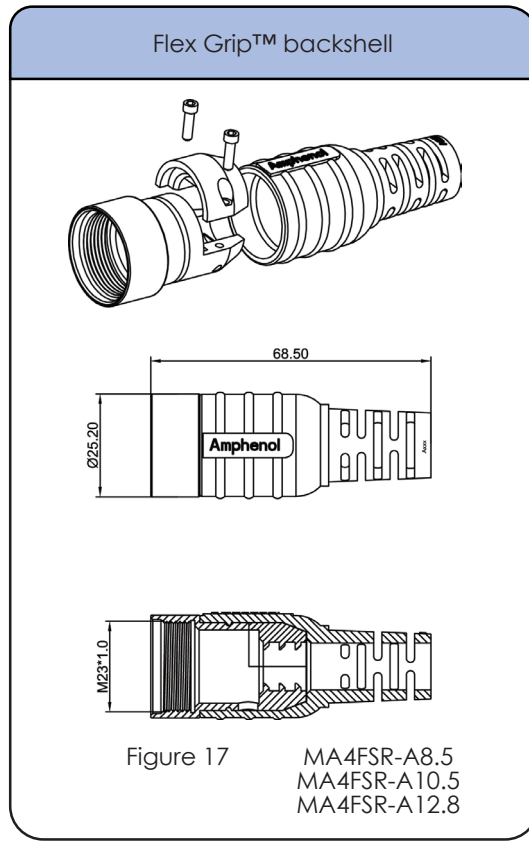
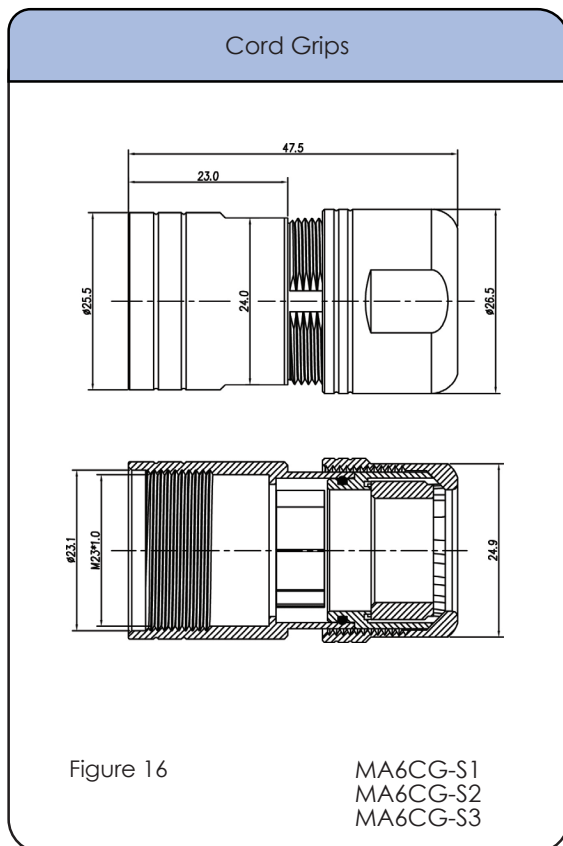
Style: P type Plug Number of Contacts: 12 Contact Size: 1.0mm
 Sealing: IP66/67 AWG: 22-18 (0.37 - 0.75 mm²) / 24-28 (0.25 - 0.10 mm²)

Threaded Dimensions 90° Rotatable Receptacles

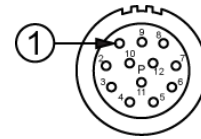
See Chart 1 for contacts options



Cord Grips / Backshells



Complete datasheets can be found at www.amphenol-sine.com



12 POSITIONS
10A / 160V
P type

Style: P type Plug **Number of Contacts: 12** **Contact Size: 1.0mm**
 Sealing: IP66/67 AWG: 22-18 (0.37 - 0.75 mm²) / 24-28 (0.25 - 0.10 mm²)

Tools & Accessories

<p>Universal hand crimp tool. Uses universal positioner part no. SK2-2* Wire range 20-32AWG</p>  <p>AFM8</p>	<p>Universal hand crimp tool. Uses universal positioner part no. UH2-5* Wire range 12-26AWG</p>  <p>AF8</p>	<p>Pneumatic crimp tool. Uses universal positioner part no. SK2-2* Wire range 20-32AWG</p>  <p>WA22</p>
<p>Universal positioner is used with the crimp tools WA22 and AFM8. Wire range 20-32AWG</p>  <p>SK2-2</p>	<p>Universal positioner is used with the universal hand crimp tool (AF8). Wire range 12-26AWG</p>  <p>UH2-5</p>	<p>Pneumatic crimp tool. Uses universal positioner part no. UH2-5*. Wire range 12-26AWG</p>  <p>WA27F</p>
<p>Extraction tool. Used for removal of 1.0mm contacts from inserts.</p>  <p>50-54931-1</p>	<p>Dust Cap for Receptacle</p>  <p>P29687</p>	<p>Dust Cap for Plug, Threaded</p>  <p>P31660</p>
<p>Dust Cap for Plug, Checkmate™</p>  <p>P31662</p>		

* The universal positioner is not included with the crimp tools and must be ordered separately.

Complete datasheets can be found at www.amphenol-sine.com